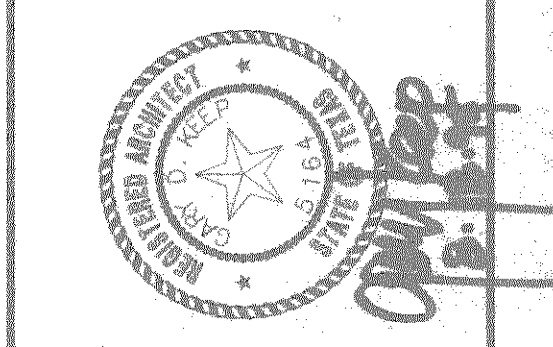
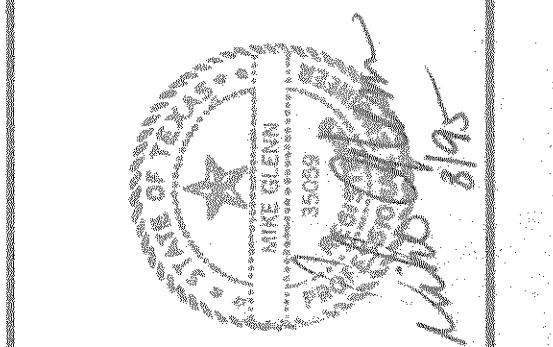


**NEBBIE WILLIAMS ELEMENTARY SCHOOL
 ROCKWALL INDEPENDENT SCHOOL DISTRICT
 ROCKWALL, TEXAS**



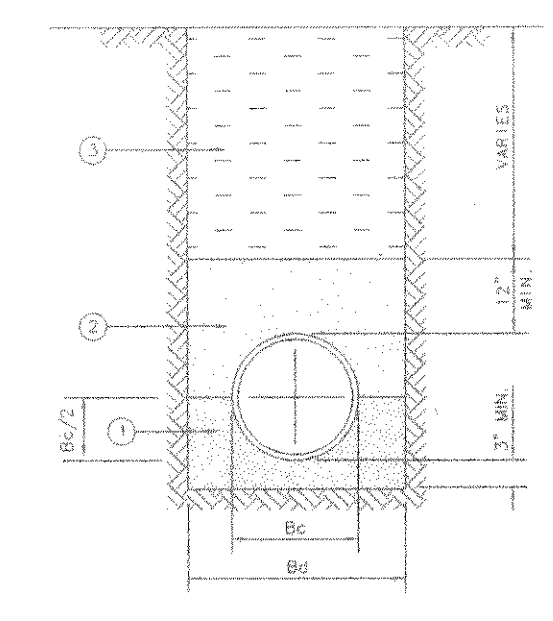
SHW Group Inc
 ARCHITECTS
 ENGINEERS

SHEET NUMBER **C 2.7**
 OF 13
 SET NUMBER

- GENERAL STORM SEWER NOTES**
- ALL CONSTRUCTION TO BE IN ACCORDANCE WITH THESE PLANS AND CITY OF ROCKWALL STANDARDS AND SPECIFICATIONS.
 - PRIOR TO STARTING CONSTRUCTION, THE CONTRACTOR SHALL MAKE CERTAIN THAT ALL REQUIRED PERMITS AND APPROVALS HAVE BEEN OBTAINED. NO CONSTRUCTION OR FABRICATION SHALL BEGIN UNTIL THE CONTRACTOR HAS RECEIVED AND THOROUGHLY REVIEWED ALL PLANS AND OTHER DOCUMENTS APPROVED BY ALL OF THE PERMITTING AUTHORITIES.
 - ALL WORK SHALL BE PERFORMED IN ACCORDANCE WITH THESE PLANS AND SPECIFICATIONS AND THE REQUIREMENTS AND STANDARDS OF THE LOCAL GOVERNING AUTHORITY.
 - IN THE EVENT AN ITEM IS NOT COVERED IN THE CITY OF ROCKWALL SPECIFICATIONS, THE ENGINEER'S DECISION SHALL APPLY.
 - BARRICADING, TRAFFIC CONTROL, AND PROJECT SIGNS SHALL CONFORM TO "STATE DEPARTMENT OF HIGHWAYS AND PUBLIC TRANSPORTATION BARRICADING AND CONSTRUCTION STANDARDS".
 - THE GENERAL CONTRACTOR AND ALL SUB-CONTRACTORS SHALL VERIFY THE SUITABILITY OF ALL EXISTING AND PROPOSED SITE CONDITIONS INCLUDING GRADES AND DIMENSIONS BEFORE COMMENCEMENT OF ANY CONSTRUCTION. IN THE EVENT OF ANY CONFLICT AND PRIOR TO COMMENCEMENT OF ANY CONSTRUCTION, IMMEDIATELY NOTIFY ENGINEER. MINOR ADJUSTMENTS OF FINISH GRADE TO ACCOMPLISH SPOT DRAINAGE ARE ACCEPTABLE. IF NECESSARY, UPON PRIOR APPROVAL OF ENGINEER, PAVING INSTALLED SHALL "FLUSH OUT" AT ANY JUNCTURE WITH EXISTING PAVING.
 - THE LOCATIONS OF UNDERGROUND UTILITIES SHOWN ON THIS PLAN ARE BASED ON FIELD SURVEYS AND LOCAL UTILITY COMPANY RECORDS. IT SHALL BE THE CONTRACTOR'S FULL RESPONSIBILITY TO CONTACT THE VARIOUS UTILITY COMPANIES TO LOCATE THEIR UTILITIES PRIOR TO STARTING CONSTRUCTION.
 - CONTRACTOR SHALL VERIFY ALL EXISTING INVERTS AND RIM ELEVATIONS PRIOR TO CONSTRUCTION.
 - ALL PVC PIPE SHALL BE SCH 40 OR APPROVED EQUAL.
 - ALL RCP SHALL BE CLASS III.

CONTRACTOR SHALL VERIFY ALL EXISTING INVERTS AND ELEVATIONS PRIOR TO CONSTRUCTION.

ALL STORM SEWER CONSTRUCTION TO BE PER CITY OF ROCKWALL STANDARDS



- FINE GRADATION CRUSHED STONE - TOP LAYER IS TO BE PLACED TO GRADE TO PROVIDE UNIFORM SUPPORT OF PIPE BARREL. EXCAVATE BELL HOLES.
- SELECT MATERIAL FREE OF ROCKS, CLUMPS OR DEBRIS LARGER THAN 6" IN GREATEST DIMENSION. COMPACT TO 90% STANDARD PROCTOR DENSITY. UNDER STRUCTURES, ROADWAYS AND PAVEMENT, USE GRANULAR MATERIAL (SAND) COMPACTED TO 90% STANDARD PROCTOR DENSITY.
- NATIVE MATERIAL FREE OF ROCKS, CLUMPS OR DEBRIS LARGER THAN 6" IN GREATEST DIMENSION. COMPACT TO 90% STANDARD PROCTOR DENSITY. UNDER STRUCTURES, ROADWAYS AND PAVEMENT, USE NATIVE MATERIAL COMPACTED TO 90% STANDARD PROCTOR DENSITY.

EMBEDMENT DETAIL

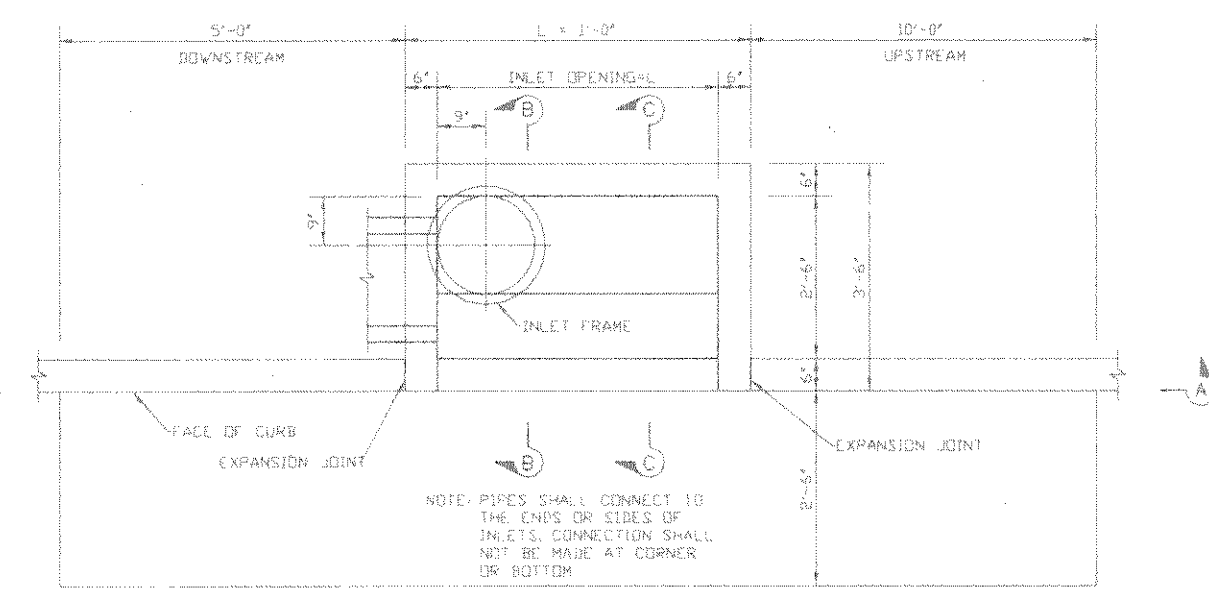
REINFORCING STEEL SCHEDULE

INLET TYPE	BAR SIZE (1/2")	NO. OF BARS	BAR DIMENSIONS		
			A	B	C
6 FT.	A	3	3'-0"	6'-0"	---
	B	2	4'-0"	6'-0"	---
	C	4	6'-0"	6'-0"	---
10 FT.	A	3	4'-0"	6'-0"	---
	B	4	6'-0"	6'-0"	---
	C	5	6'-0"	6'-0"	---
	D	3	3'-0"	3'-0"	---
	E	3	3'-0"	3'-0"	---
	H	3	3'-0"	3'-0"	---

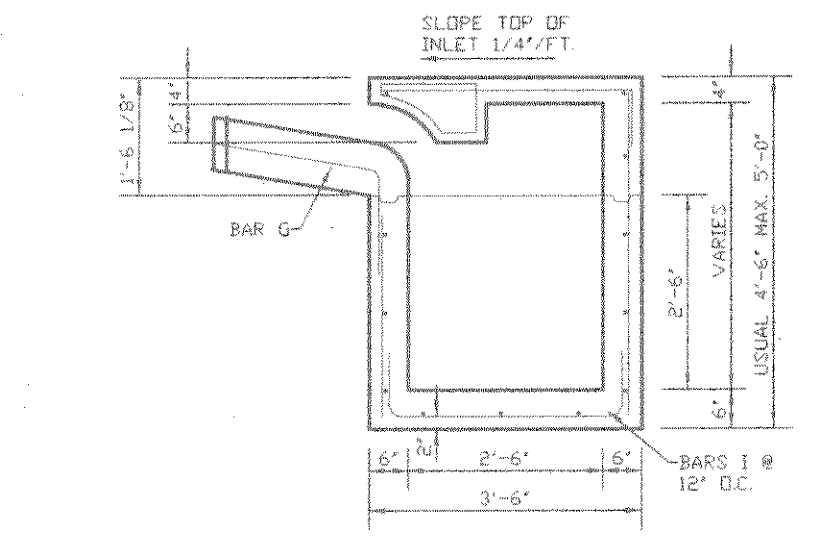
* SEE DIAGRAM FOR DIMENSIONS



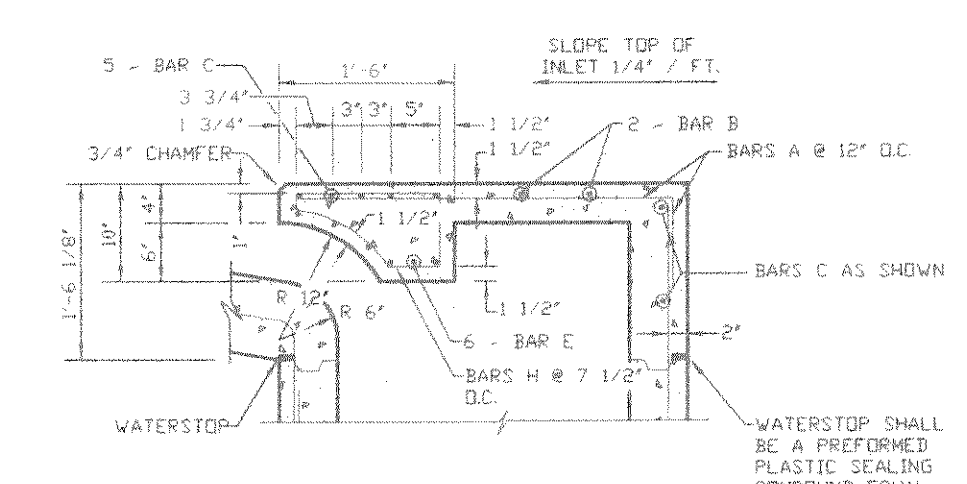
REINFORCING DETAILS



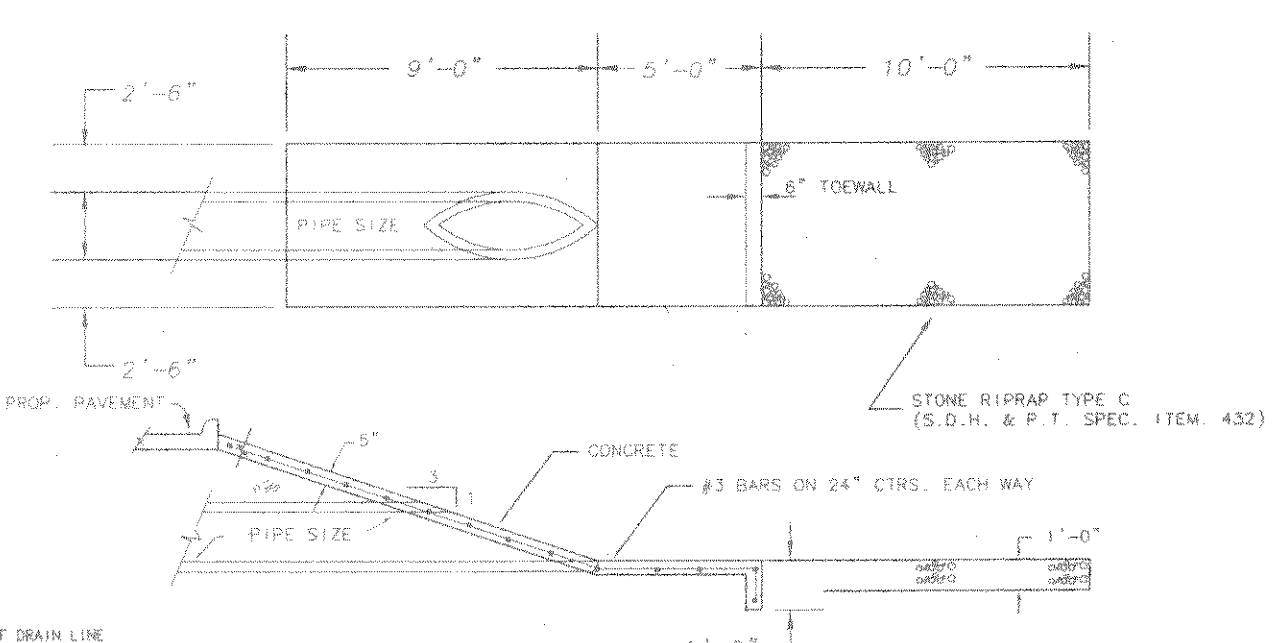
PLAN - STANDARD INLET



SECTION "B-B"



SECTION "C-C"



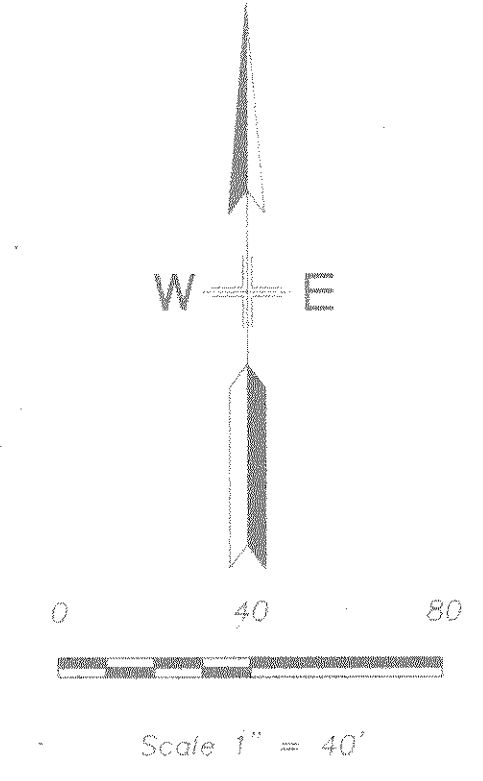
HEADWALL FOR STORM SEWER

STORM SEWER PLAN

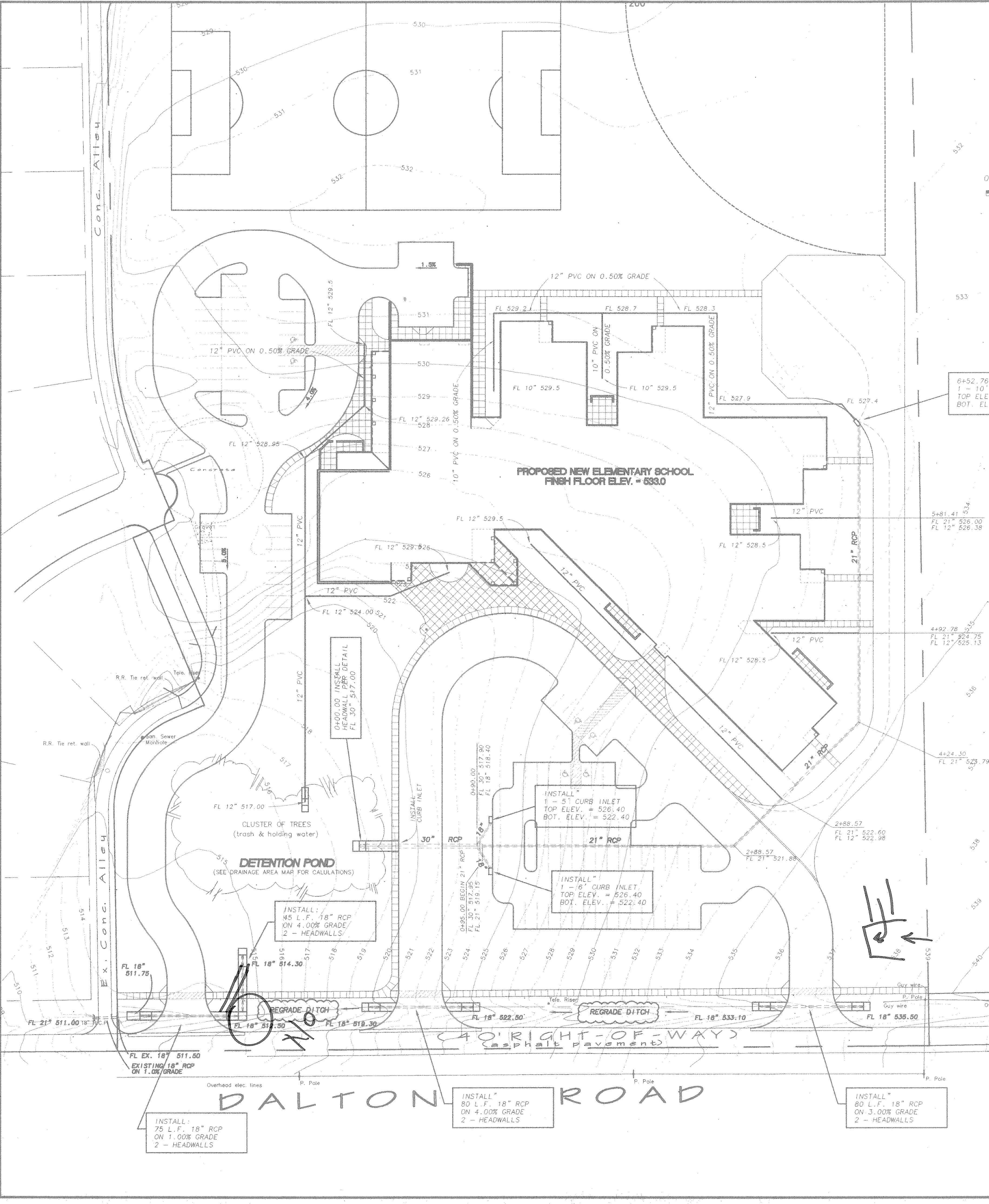
Scale 1" = 40'

GLENN ENGINEERING

PHONE 214-717-8101 FAX 214-717-4229
 100 DECKER COURT - SUITE 250 FLYING TEXAS 75062



Scale 1" = 40'



6+52.76 INSTALL:
 1 - 10" CURB INLET
 TOP ELEV. = 531.00
 BOT. ELEV. = 527.0

0+00.00 INSTALL HEADWALL PER DETAIL
 FL 30" 517.00

INSTALL:
 1 - 5' CURB INLET
 TOP ELEV. = 526.40
 BOT. ELEV. = 522.40

INSTALL:
 1 - 6" CURB INLET
 TOP ELEV. = 526.40
 BOT. ELEV. = 522.40

INSTALL:
 45 L.F. 18" RCP
 ON 4.00% GRADE
 2 - HEADWALLS

INSTALL:
 75 L.F. 18" RCP
 ON 1.00% GRADE
 2 - HEADWALLS

INSTALL:
 80 L.F. 18" RCP
 ON 4.00% GRADE
 2 - HEADWALLS

INSTALL:
 80 L.F. 18" RCP
 ON 3.00% GRADE
 2 - HEADWALLS

DALTON ROAD

40' RIGHT-OF-WAYS
 (asphalt pavement)

DETONATION POND
 (SEE DRAINAGE AREA MAP FOR CALCULATIONS)

CLUSTER OF TREES
 (trash & holding water)

- NOTE:
 1. AT ALL LOCATIONS OF DOWNSPOUTS A 6" PVC PIPE IS TO BE INSTALLED FROM THE 12" PVC LINE TO THE FOUNDATION AND EXTEND UP ABOVE THE FINISH FLOOR ELEV. SEE ARCH. PLAN FOR THE CONNECTION DETAIL AND THE ROOF PLAN FOR ACTUAL DOWNSPOUT LOCATION.