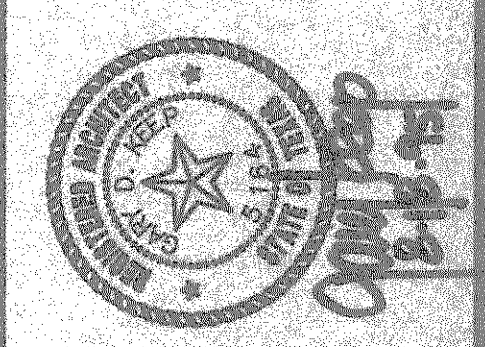


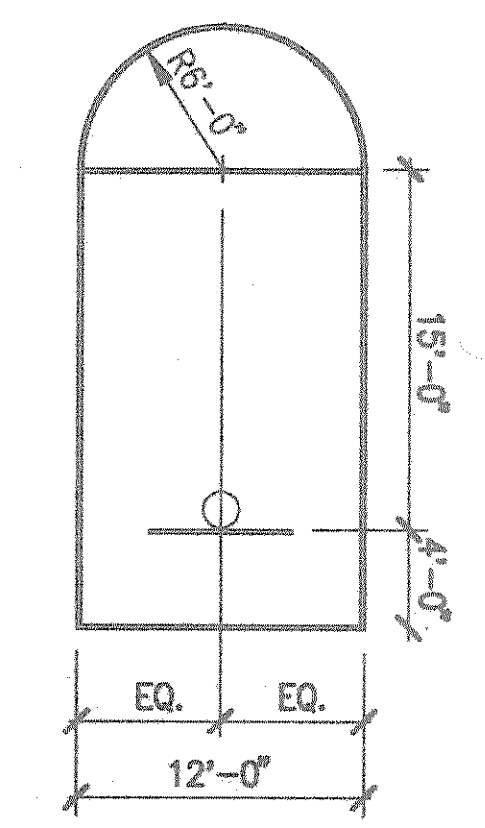
**NEBBIE WILLIAMS ELEMENTARY SCHOOL
 ROCKWALL INDEPENDENT SCHOOL DISTRICT
 ROCKWALL,
 TEXAS**

FINAL PLANS FOR BIDDING
 AND CONSTRUCTION



SHW
 ARCHITECTS
 ENGINEERS
 SHW Group Inc

SHEET NUMBER	C
OF 13	2.10
SET NUMBER	



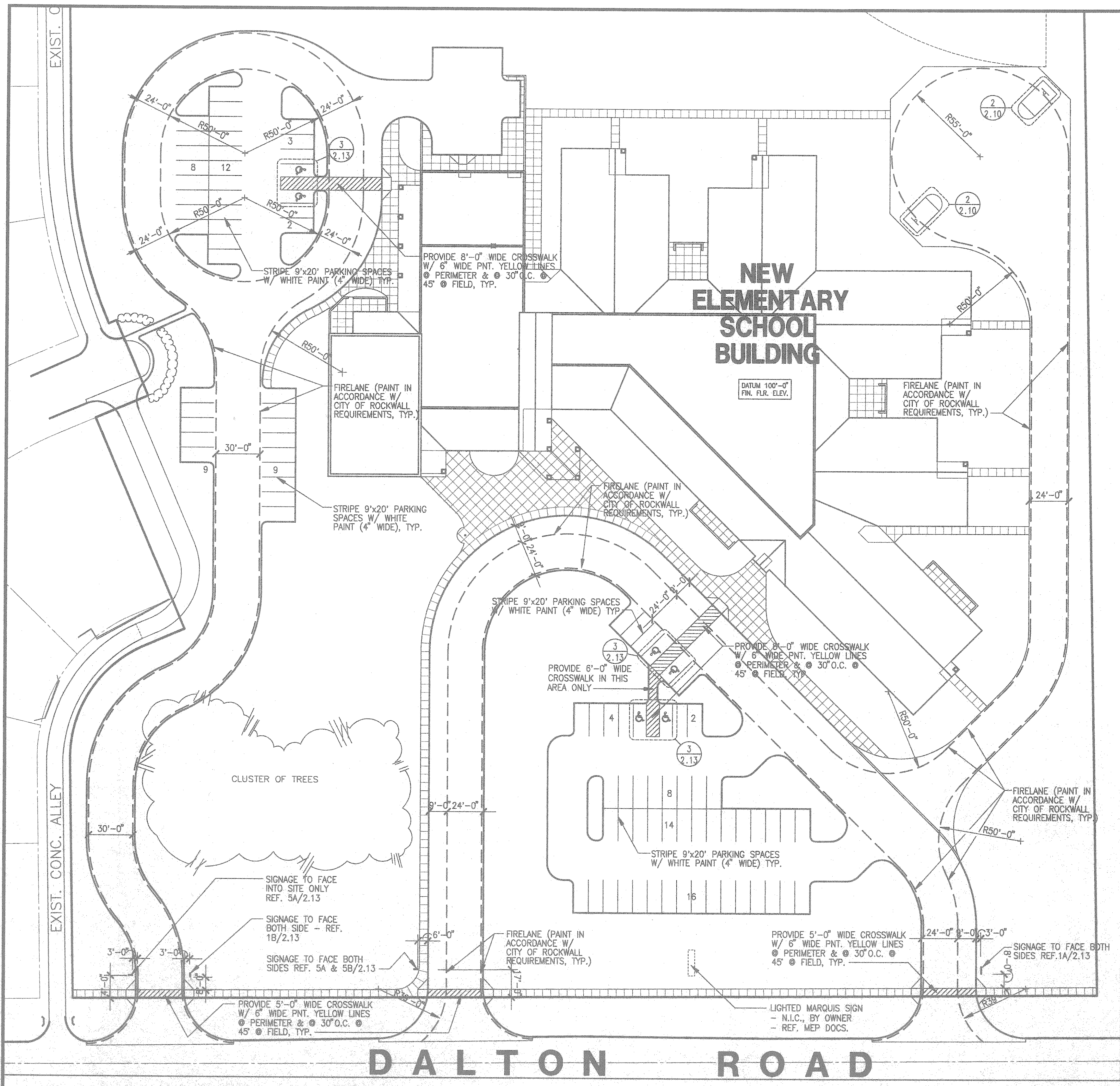
- NOTES:**
1. ALL DIMENSION LINES ARE TO THE INSIDE FACE OF THE LINE U.O.N.
 2. ALL BASKETBALL COURT MARKINGS AND LINES SHALL BE 2" WIDE
 3. COURT STRIPING COLORS AS DIRECTED BY ARCHITECT.

2 BASKETBALL STRIPING DETAIL
 2.10 1/8"=1'-0"

- GENERAL NOTES**
1. STRIPING & SIGNAGE DIMENSIONS ARE FROM F.O. CURB, U.O.N.
 2. ALL FIRE LANES, PARKING STRIPING, HDOP, PARKING STRIPING, AND SIGNAGE ARE TO BE IN ACCORDANCE W/ CITY OF ROCKWALL REQ'S., TYP..

PARKING INFO.

89	STD. SPACES (9'-0" x 20'-0")
6	HDOP. SPACES (8'-0" x 20'-0")
95	TOTAL



DALTON ROAD

1 SITE GRAPHICS AND SIGNAGE
 2.10 1:30

05 25 100 FEET
 110 50

08/17/1995 * 13:23 * Y:\ACADD0025\0495417\REV\WEE2_LDR PLOT DATE/TIME