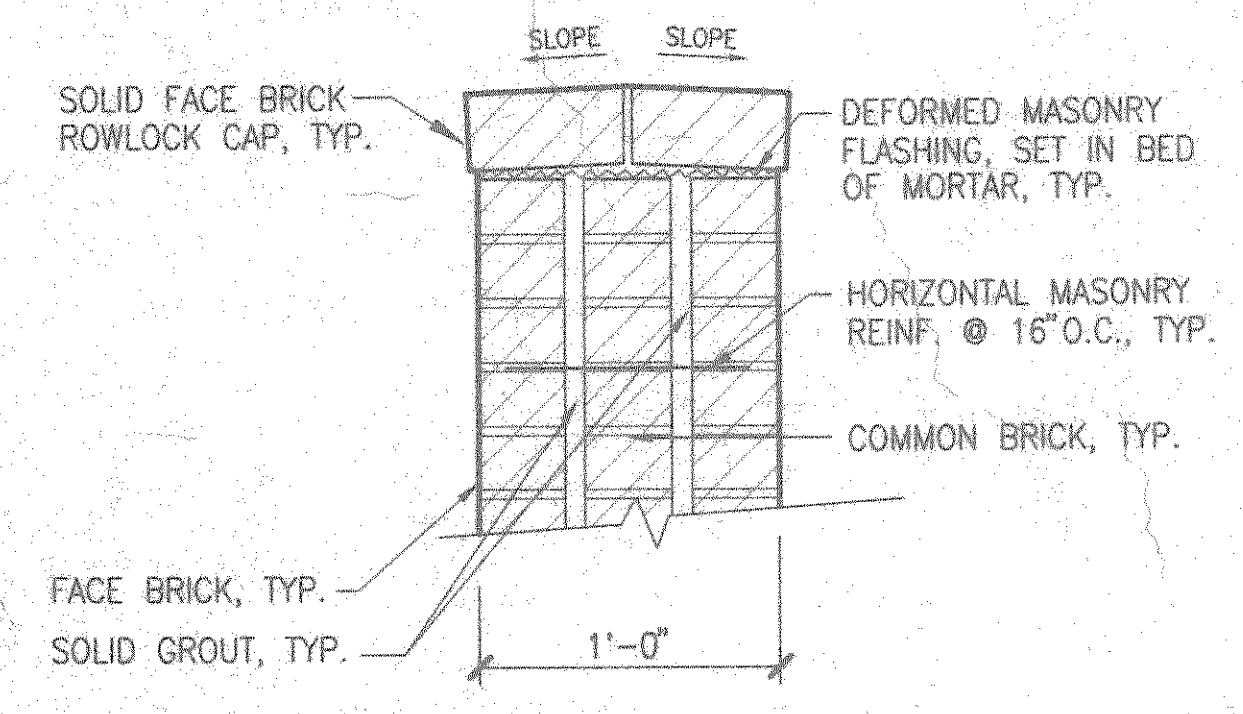


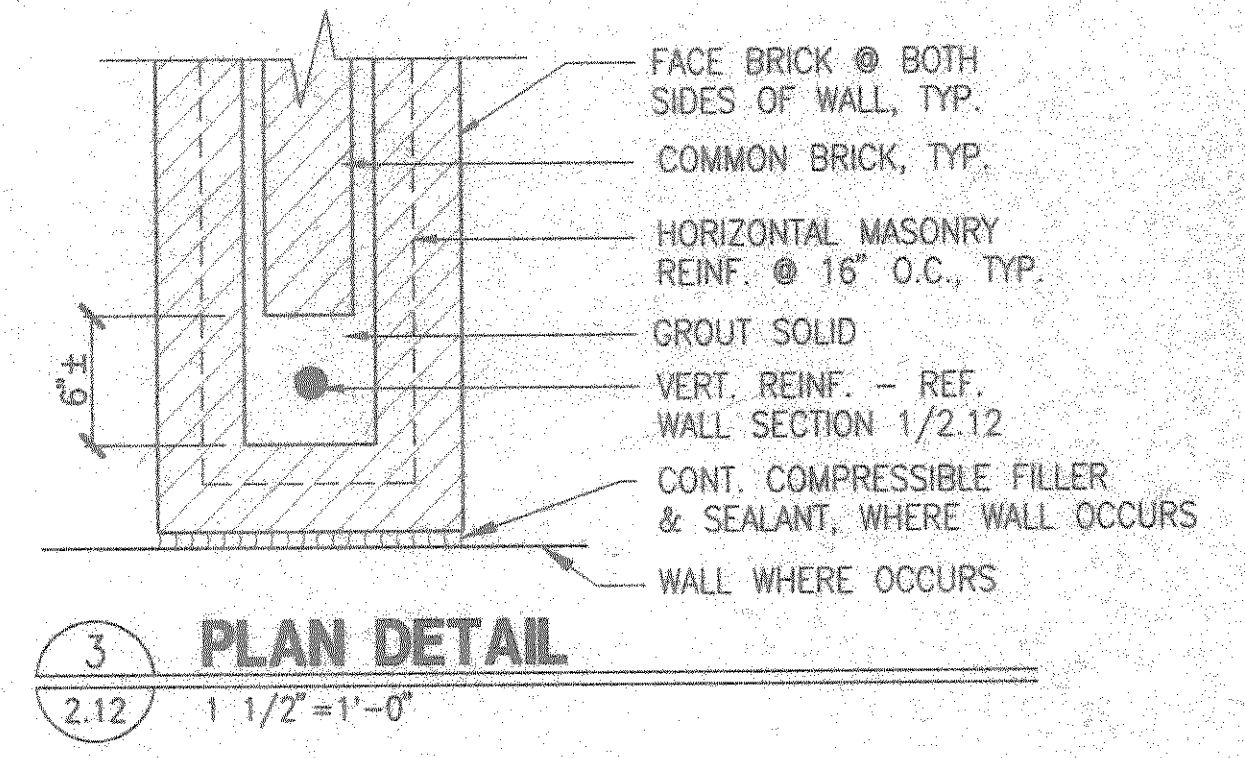
1A 1B WALL SECTION
2.12 2.12 1/2" = 1'-0"

NOTE: MATCH ADJACENT BUILDING MASONRY WALL FACE BRICK TYPE & COURSING @ EA. SITE WALL, TYP..

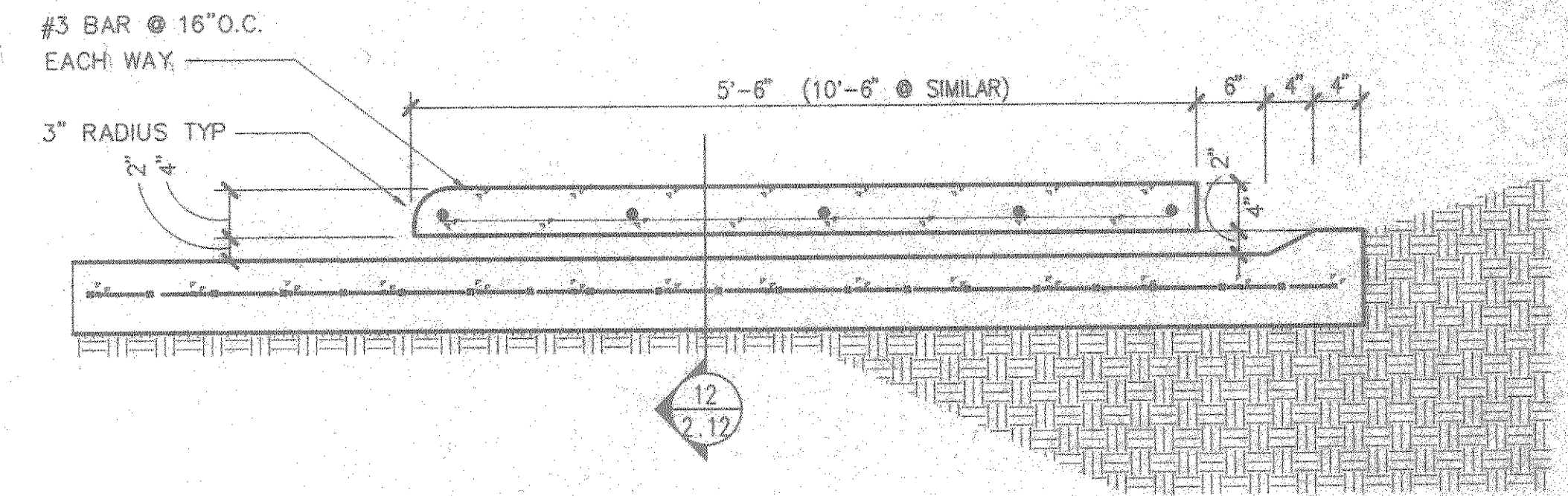


2 SECTION DETAIL
2.12 1 1/2" = 1'-0"

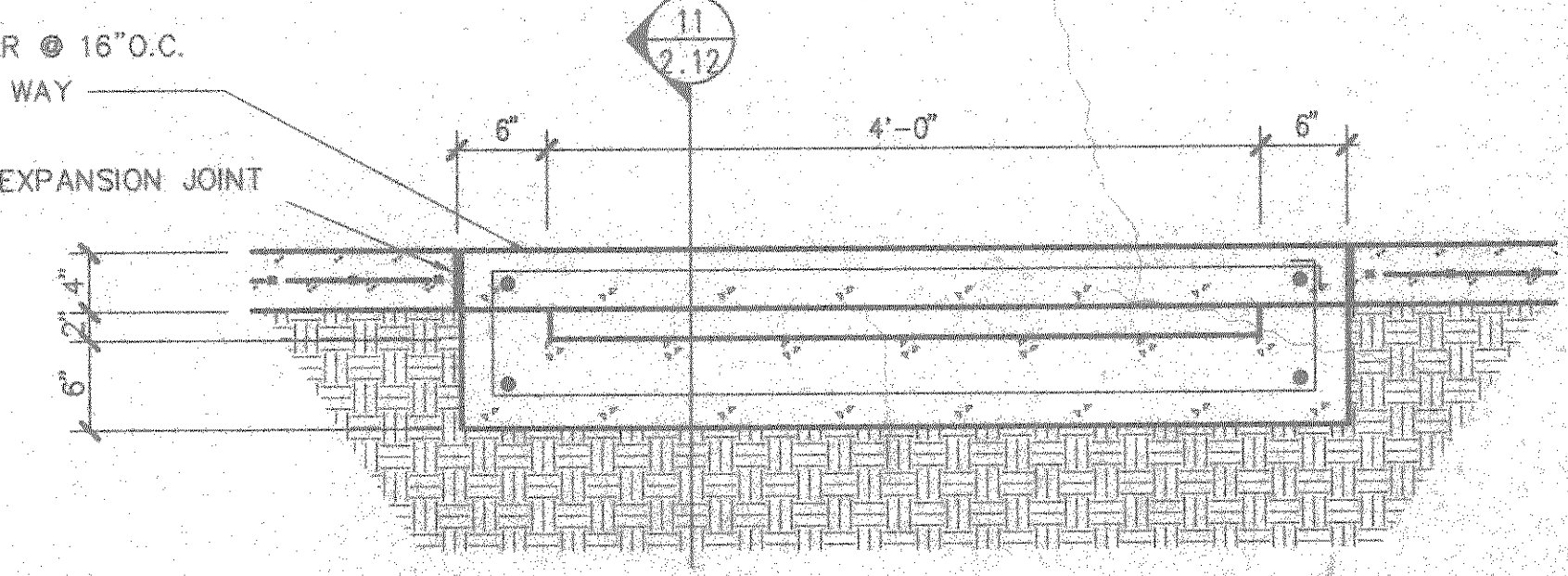
NOTE: REFER TO WALL SECTION 1/2.12, FOR ADDITIONAL INFO.



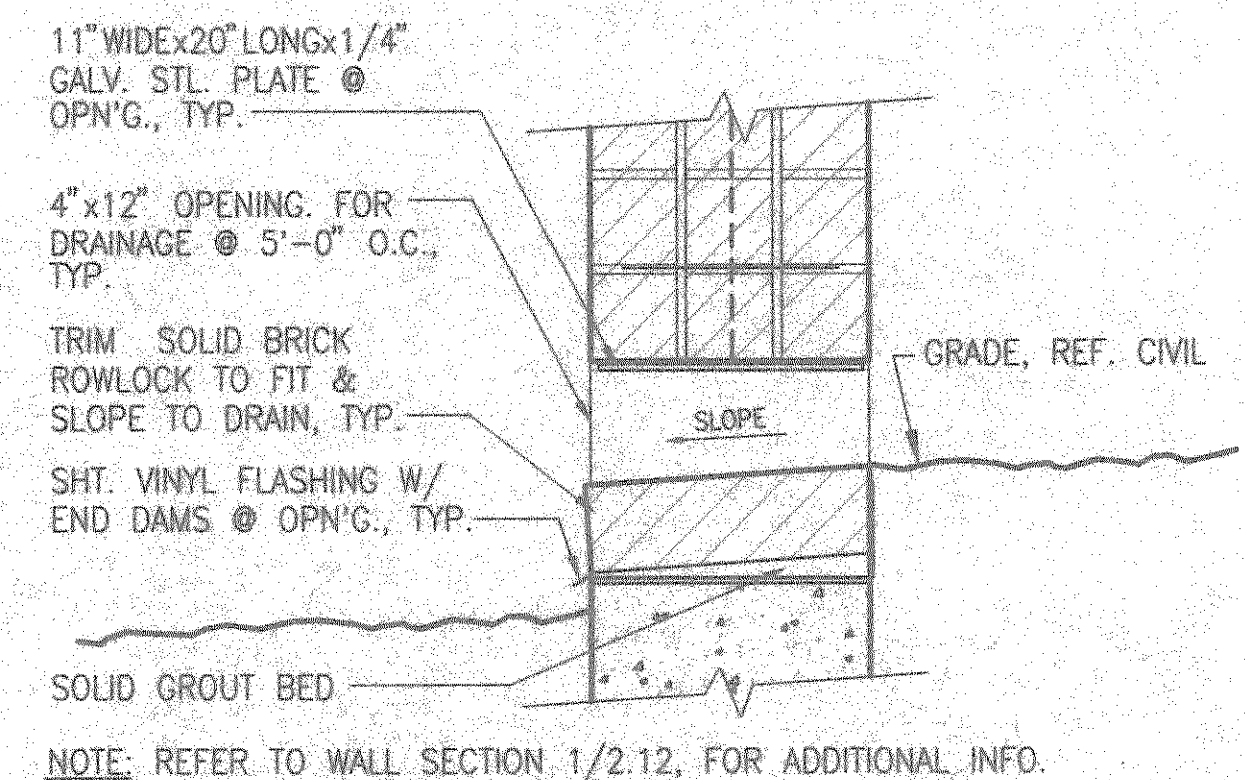
3 PLAN DETAIL
2.12 1 1/2" = 1'-0"



11 RAISED SIDEWALK DETAIL
2.12

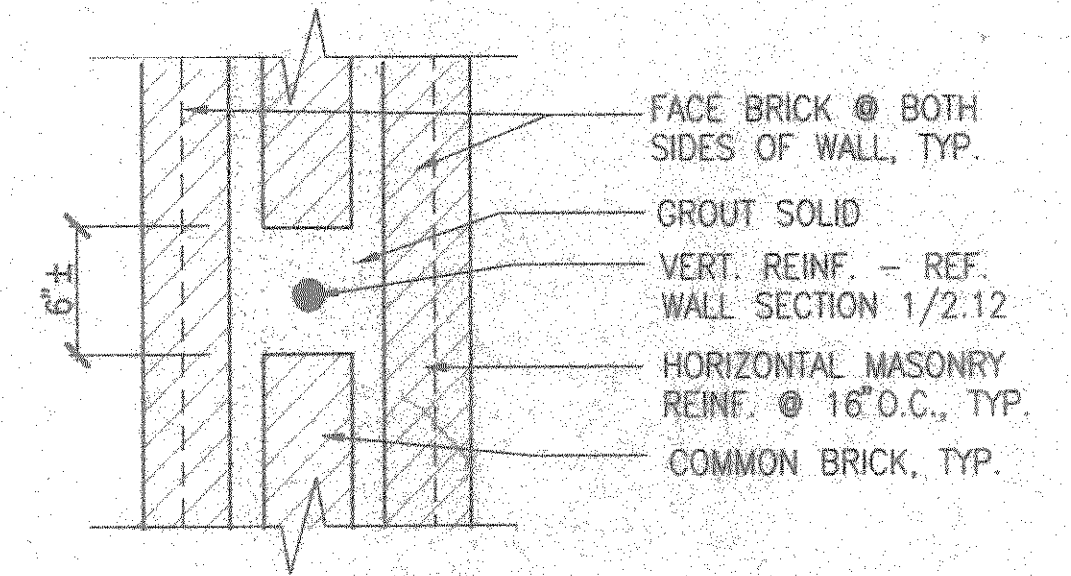


12 RAISED SIDEWALK DETAIL
2.12

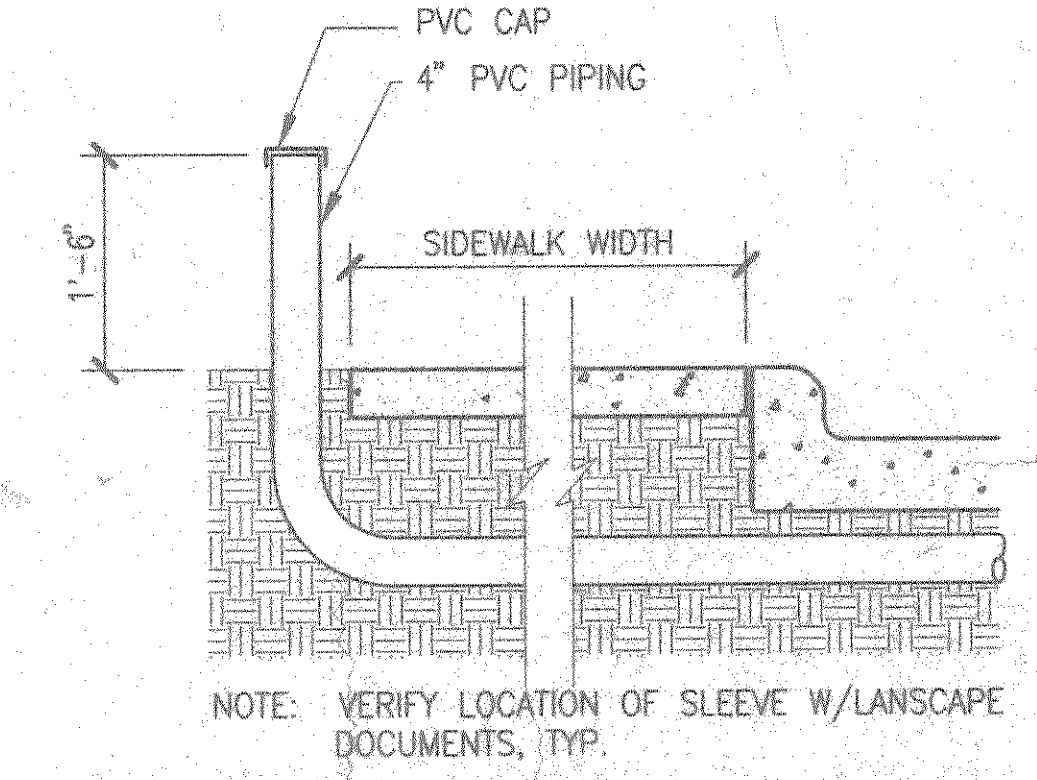


4 SECTION DETAIL
2.12 1 1/2" = 1'-0"

NOTE: REFER TO WALL SECTION 1/2.12, FOR ADDITIONAL INFO.

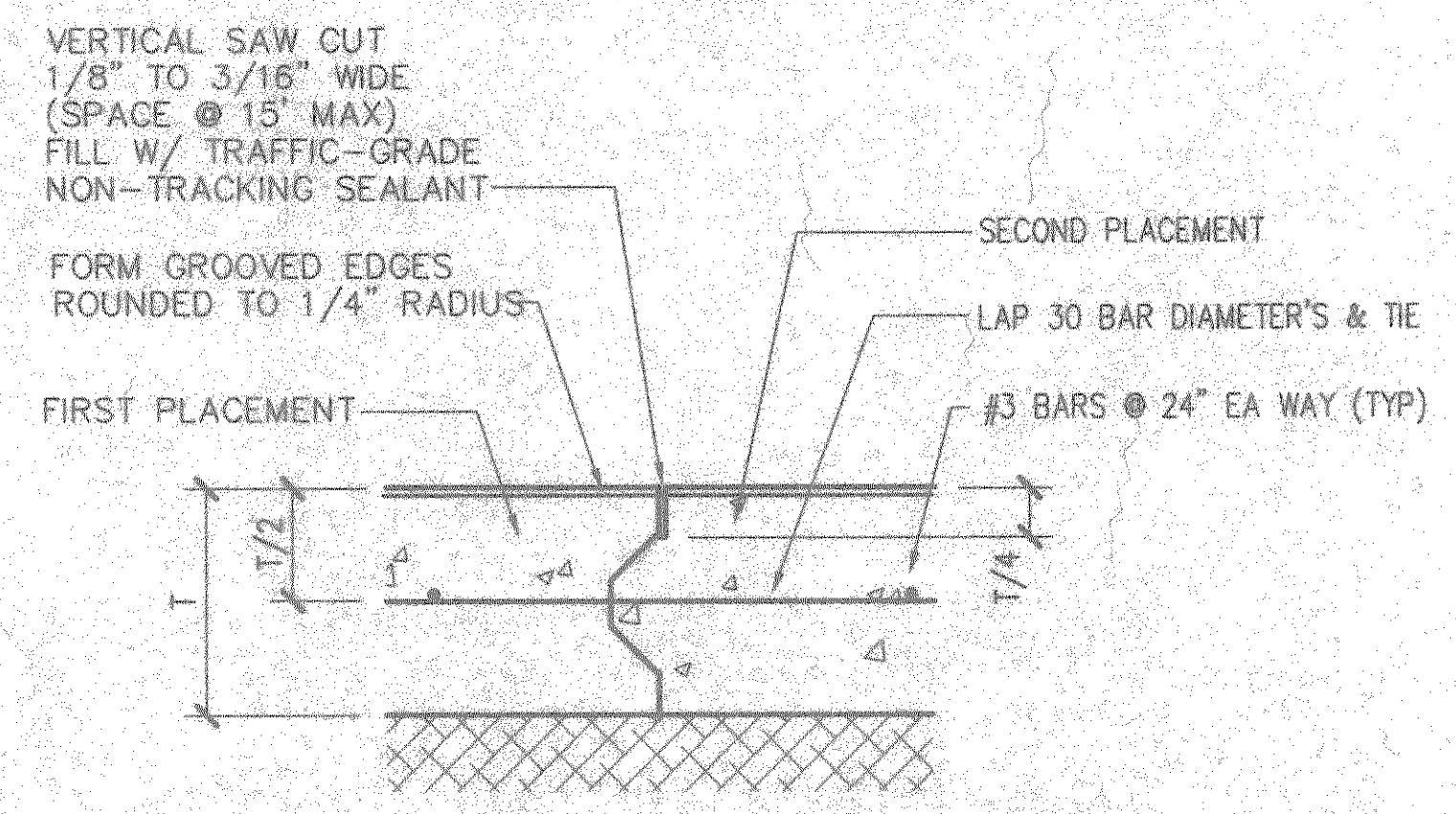


5 PLAN DETAIL
2.12 1 1/2" = 1'-0"

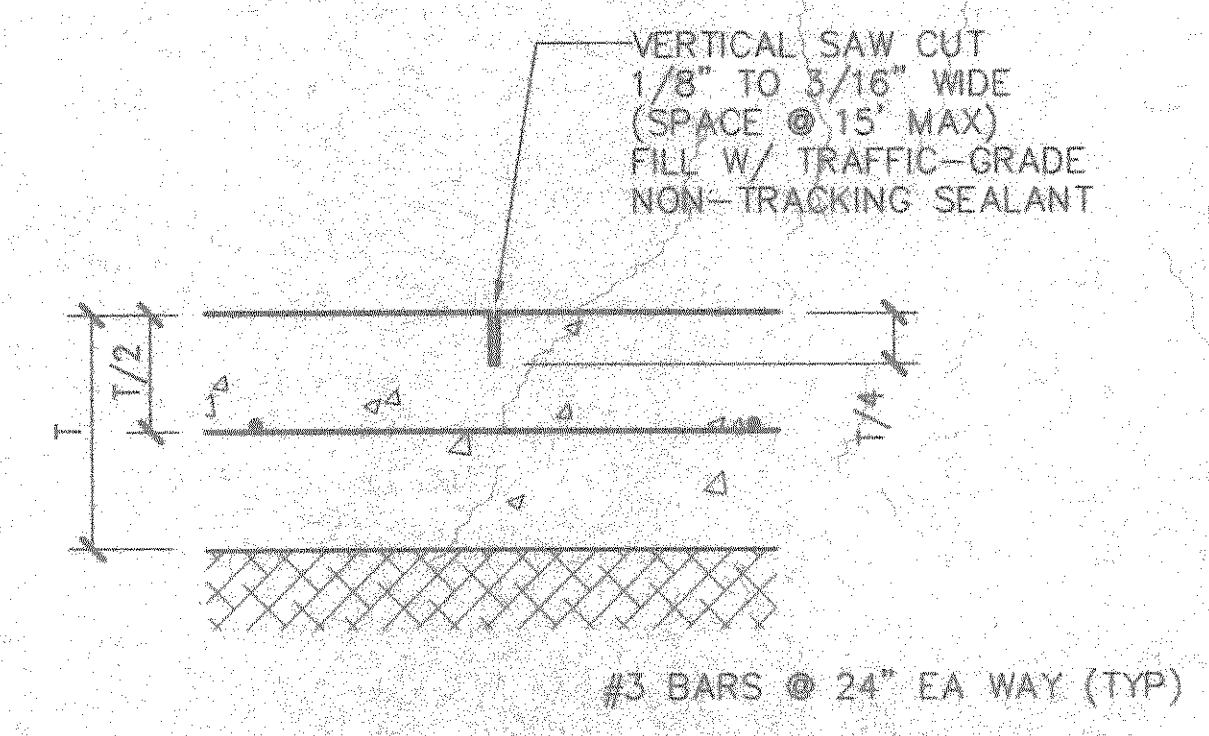


6 SLEEVE TERMINATION DETAIL
2.12 3/4" = 1'-0"

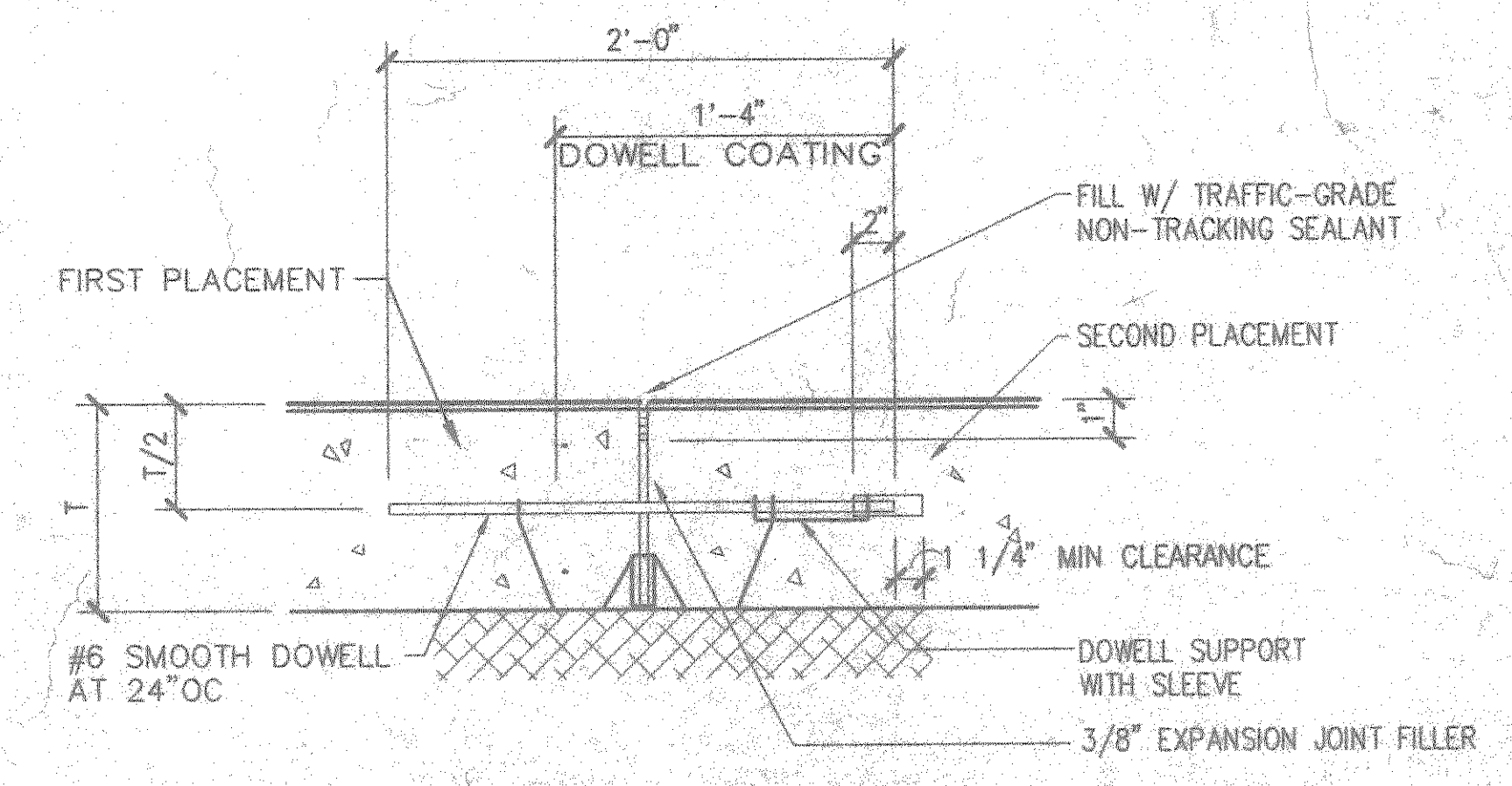
NOTE: VERIFY LOCATION OF SLEEVE W/ LANDSCAPE DOCUMENTS, TYP.



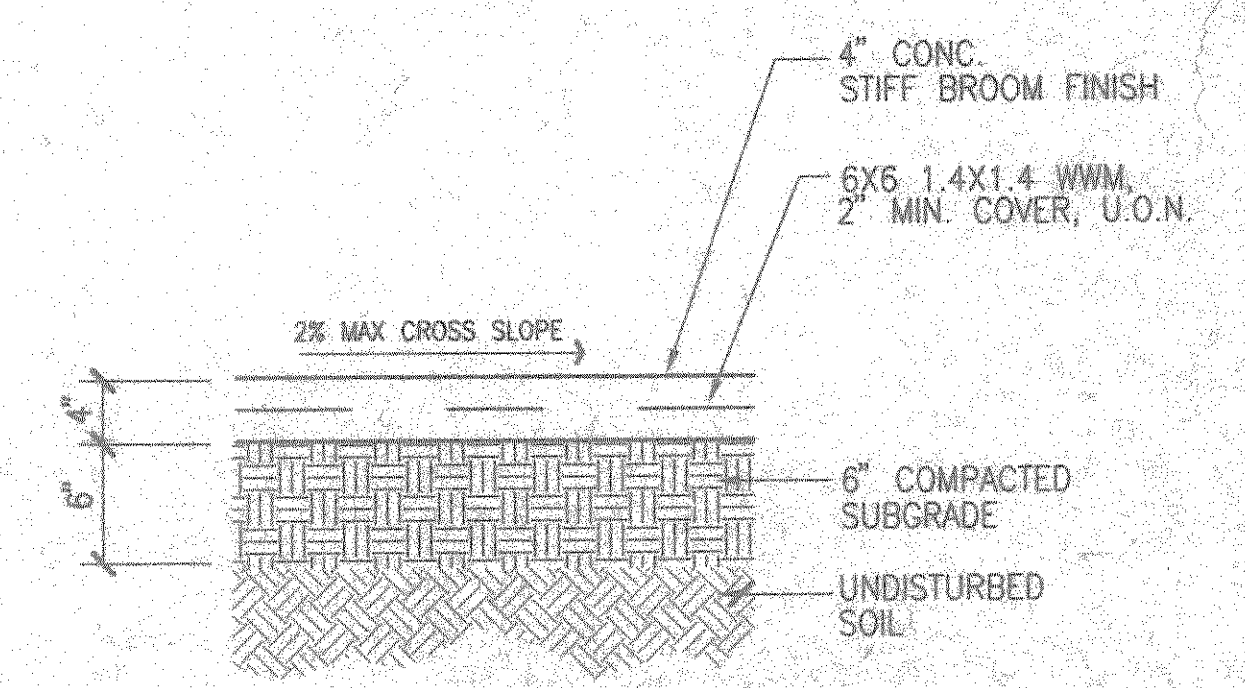
7 TYPICAL CONSTRUCTION JOINT
2.12 NTS



8 TYPICAL CONTROL JOINT
2.12 NTS



9 TRANSVERSE EXPANSION JOINT
2.12 NTS

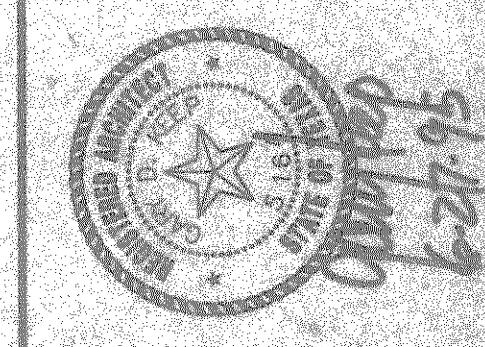


10 SITE CONCRETE SIDEWALK
2.12 3/4" = 1'-0"

DATE 28JUN95
DRAWN BY VML
CHECKED JMB
COM NO. 0485417
REVISED

**NEBBIE WILLIAMS ELEMENTARY SCHOOL
ROCKWALL INDEPENDENT SCHOOL DISTRICT
ROCKWALL, TEXAS**

FINAL PLANS FOR BIDDING AND CONSTRUCTION



SHW Group Inc
ARCHITECTS ENGINEERS

SHEET NUMBER **C 2.12**
OF 13
SET NUMBER