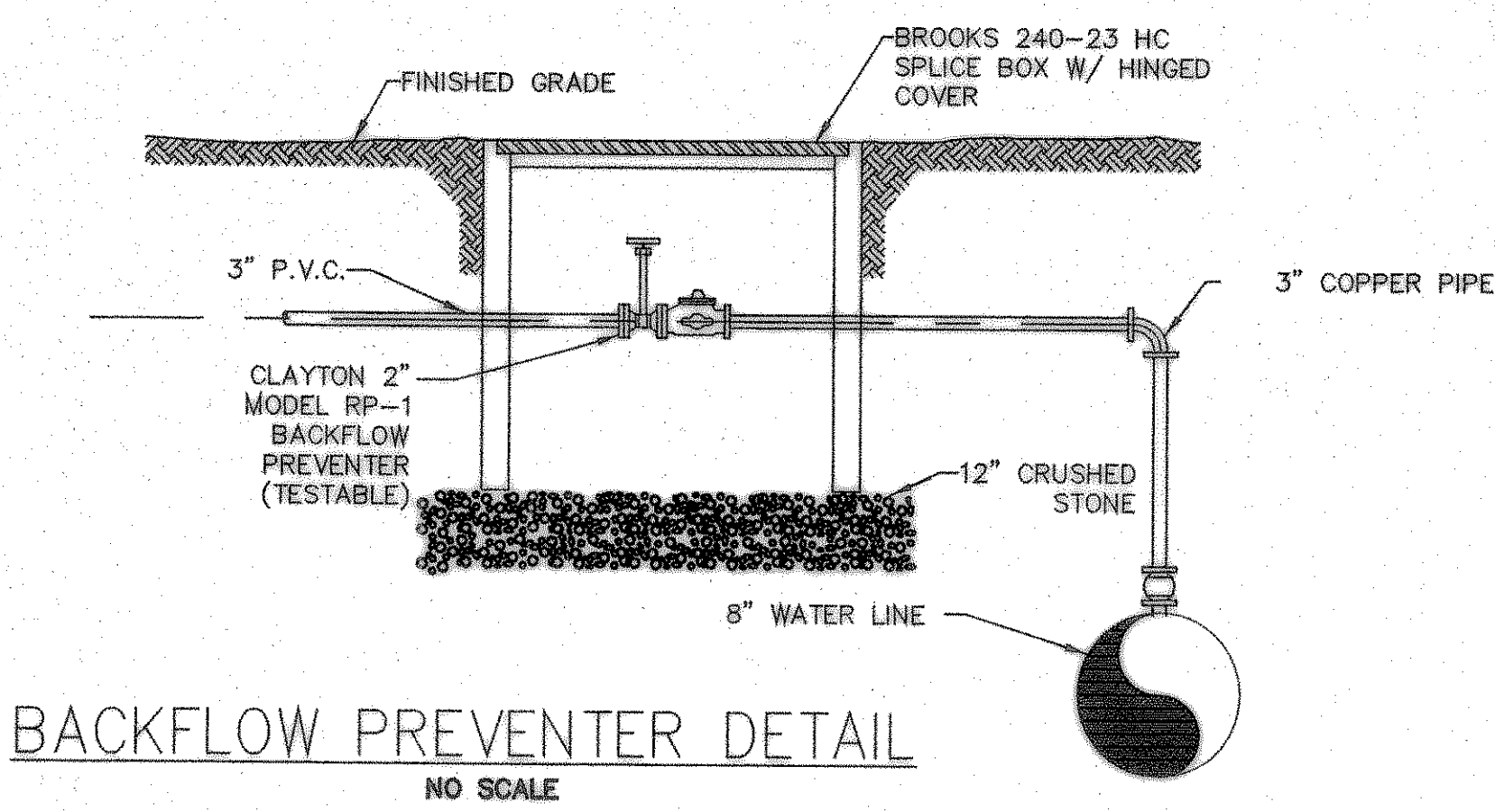
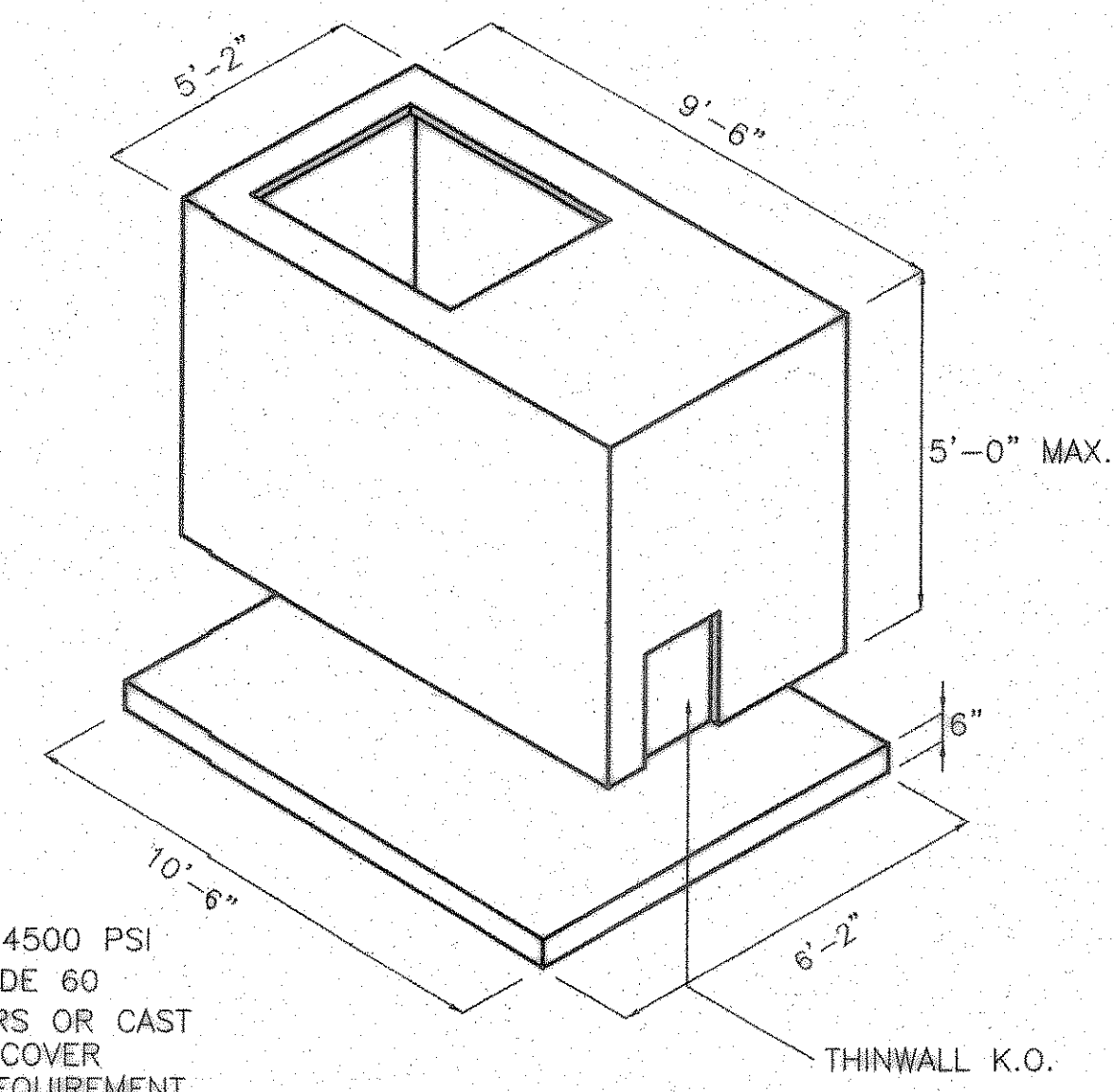


METER VAULT & BYPASS SPECIFICATIONS

1. NOTIFY THE CONSTRUCTION INSPECTION DEPARTMENT (542-2675) PRIOR TO CONSTRUCTION OF VAULT OR BY-PASS ASSEMBLY.
2. THE METER VAULT CAN BE EITHER POURED IN PLACE OR PREFABRICATED. IF THE VAULT IS POURED IN PLACE, CONCRETE SHALL BE AT LEAST 6-INCHES THICK AND BE 3000 PSI REINFORCED WITH #4 STEEL BARS ON 12-INCH CENTERS EACH WAY. PREFABRICATED VAULTS SHALL BE AT LEAST 4-INCHES THICK AND 4500 PSI CONCRETE #4 STEEL BARS ON 8-INCH CENTERS.
3. THE VAULT SHALL NOT BE LOCATED IN ANY DRIVE OR PARKING AREAS AND MUST BE LOCATED IN A UTILITY EASEMENT.
4. A DRAWING WITH THE EXACT MEASUREMENTS OF THE VAULT SHALL BE GIVEN FOR THE METER AND BY-PASS ASSEMBLY.
5. THE VAULT LID SHALL BE A BILCO LID, TYPE Q-4 SINGLE LEAF DESIGN. ANGLE FRAME IS 1/4-INCH STEEL WITH STRAP ANCHORS BOLTED TO THE EXTERIOR. THE LEAF IS 1/4-INCH STEEL DIAMOND PATTERN PLATE, PIVOTING ON TORSION BARS FOR EASY OPERATION. THE MINIMUM LIVE LOAD CAPACITY IS 150 LBS. PER SQUARE FOOT. THE SIZE OF THE LID IS 3-FEET BY 3-FEET.
6. THE LID SHALL BE PAINTED WITH 43-35 TNEC DIFFUSED ALUMINUM PAINT OR APPROVED EQUAL.
7. CONTRACTOR MUST PROVIDE A 2-INCH TEST TAP LOCATED AT LEAST TWO PIPE DIAMETERS DOWNSTREAM OF METER. THE TAP MUST BE MADE USING AN APPROVED SERVICE SADDLE.
8. THE STRAINER METER AND FLEXIBLE COUPLING SHALL NOT BE SET UNTIL METER VAULT AND TAPS ARE INSPECTED BY THE CITY OF MCKINNEY CONSTRUCTION INSPECTION DEPARTMENT.
9. THE GATE VALVES ARE REQUIRED TO BE MUELLER A-2370-6 FLANGED RESILIENT SEAT GATE VALVES.
10. THE BOTTOM OF THE METER VAULT MUST BE 6-INCHES THICK CONCRETE WITH #4 REBAR ON 12-INCH CENTERS AND HAVE A 4-INCH FILL SAND CUSHION UNDERNEATH. A SUMP 4-INCHES DEEP AND 12-INCHES IN DIAMETER SHALL BE INSTALLED TO ONE SIDE OF THE CENTER OF THE BOTTOM SLAB. IF PRECAST VAULT IS USED WHERE SIDES JOIN THE BOTTOM, A LAYER RAMMEK SHALL BE USED TO SEAL THE JOINT.
11. CONTRACTOR SHALL HAVE A CHOICE OF EITHER HAVING A LINK SEAL WALL SLEEVE MODEL WS-8-32-S-6 FOR A 4-INCH PIPE, WS-1036-S-6 FOR WS-12-37-S-6 FOR 8-INCH PIPE CAST IN THE VAULT FOR HAVE THE VAULT WALL CORED BEFORE INSTALLATION OF VAULT AND PIPING IN EITHER CASE. A LINK SEAL, MODEL NO. LS-400-C MUST BE USED TO SEAL THE ANNULAR SPACE BETWEEN THE PIPE AND WALL OPENING. BREAKING OF THE WALL WITH A JACKHAMMER IS NOT PERMITTED.
12. THERE SHALL BE A CONCRETE SUPPORT UNDER EACH VALVE.
13. DEPTH OF VAULT SHALL BE A MINIMUM OF 4-1/2 FEET.

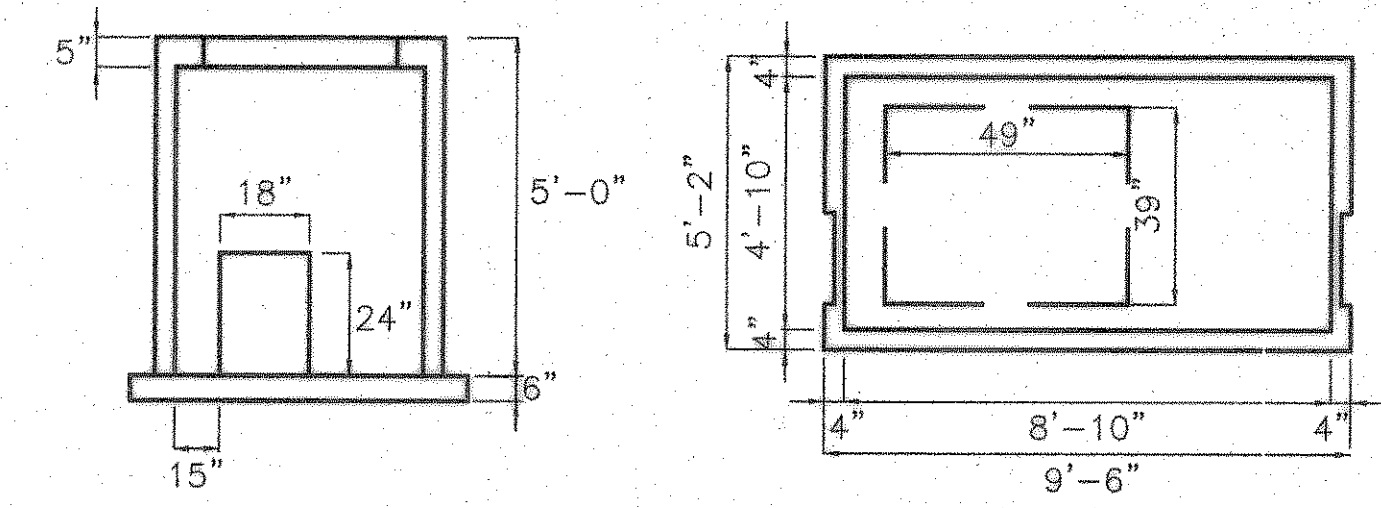


BACKFLOW PREVENTER DETAIL
NO SCALE



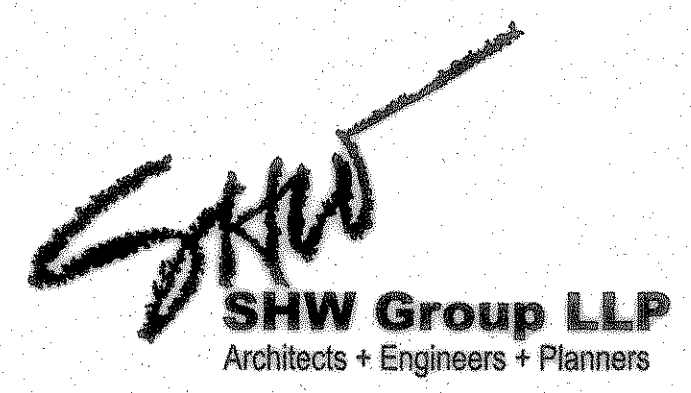
1. CONCRETE: 4500 PSI
2. REINF.: GRADE 60
3. METAL DOORS OR CAST IN RING & COVER PER JOB REQUIREMENT
4. FLOOR SLAB OPTIONAL

WT. 6444#
WT. FLOOR 6000#



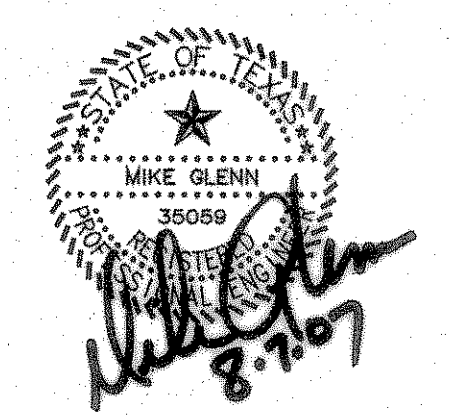
METER VAULT DETAIL
NOT TO SCALE

UTILITY DETAILS
AS SHOWN



Consultants:
CIVIL:
GLENN ENGINEERING CORP
STRUCTURAL:
SHW GROUP, LLP
MEP:
ESTES McCLURE AND ASSOCIATES.
FOOD SERVICE:
H. G. RICE Inc.
LANDSCAPING:
GRUBBS RAMSEY

FINAL PLANS FOR BIDDING AND CONSTRUCTING



Rockwall Independent School District

ROCKWALL ELEMENTARY SCHOOL #11
RISD, TEXAS

Project Number: 1441.05.021
Drawing Date: 3/09/2006
Drawn: R.HOWMAN
Checked: RAH
Scale: AS SHOWN
ACAD File: BUSIEK-Details-ALL.dwg
© 2006 SHW Group, LLP

Revisions:

1	07/20/2006	CITY COMMENTS
2	08/15/2006	CITY COMMENTS
3	10/17/2006	REVISED BOX ELEVATIONS
4	10/23/2006	WATER REVISIONS

RECORD DRAWING
This is to certify that changes and corrections have been made to conform to the contractor's record of this project.
Signed: *[Signature]* Date: 8.7.07
Glenn Engineering Corporation

GLENN ENGINEERING
PHONE 972-717-5351 FAX 972-717-2078
105 DECKER COURT - SUITE 810 IRVING, TEXAS 75062

Sheet Title:
WATER DETAILS

CU 1.09

Aug 07, 2007 2:19pm User: Robert Howman \\Roberthp\c-drive\ROCKWALL\DALTON RANCH BUSIEK ELEM\FINAL SET\DETAILS\BUSIEK-Details-ALL.dwg