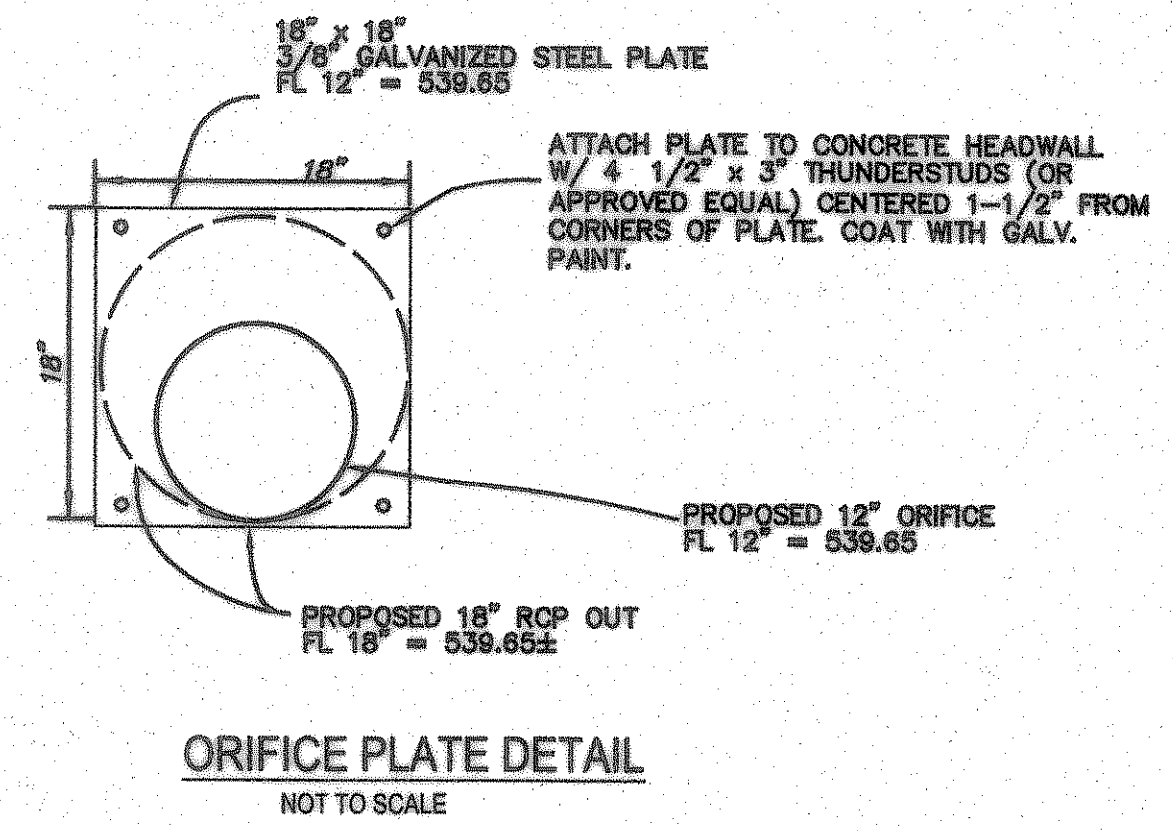
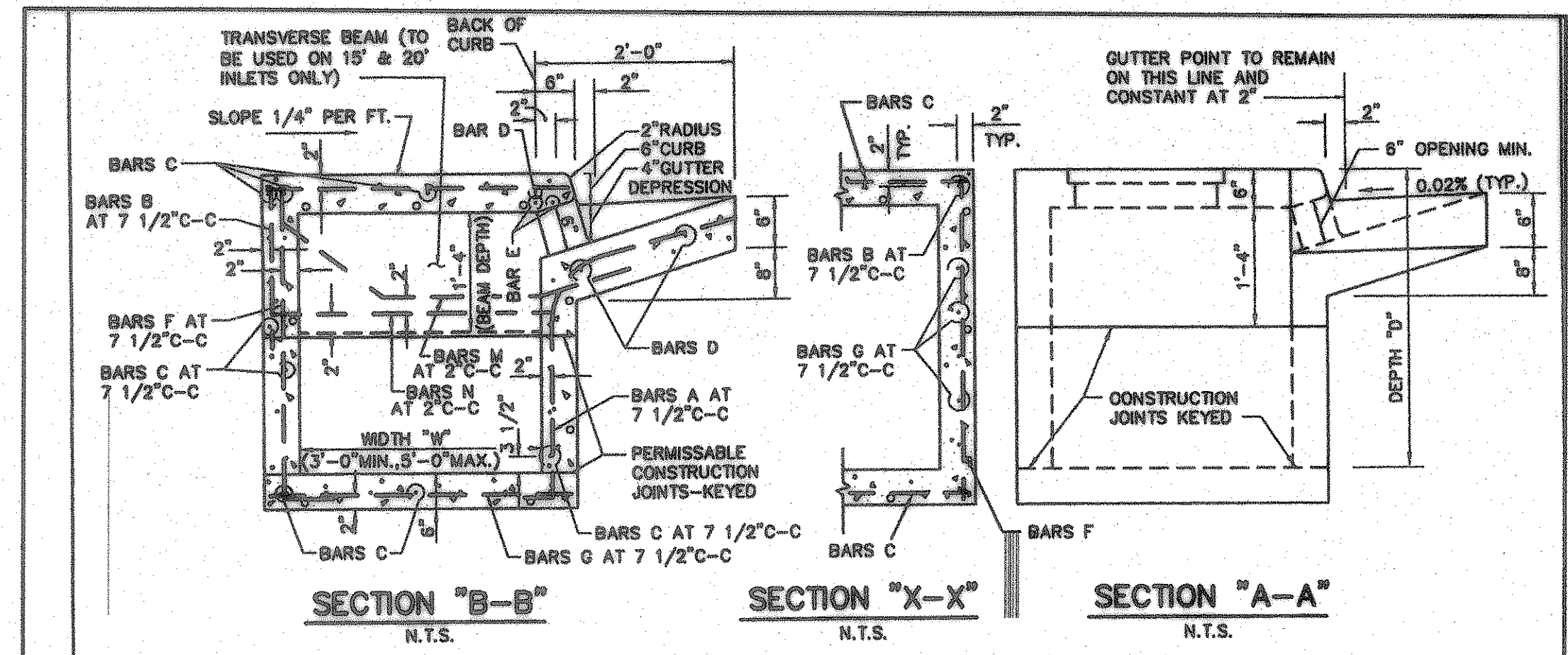


Aug 07, 2007 2:20pm User: Robert Howman \\roberthp\c-drive\ROCKWALL\DALTON RANCH BUSIEK\DETAILS\BUSIEK-Details-ALL.dwg

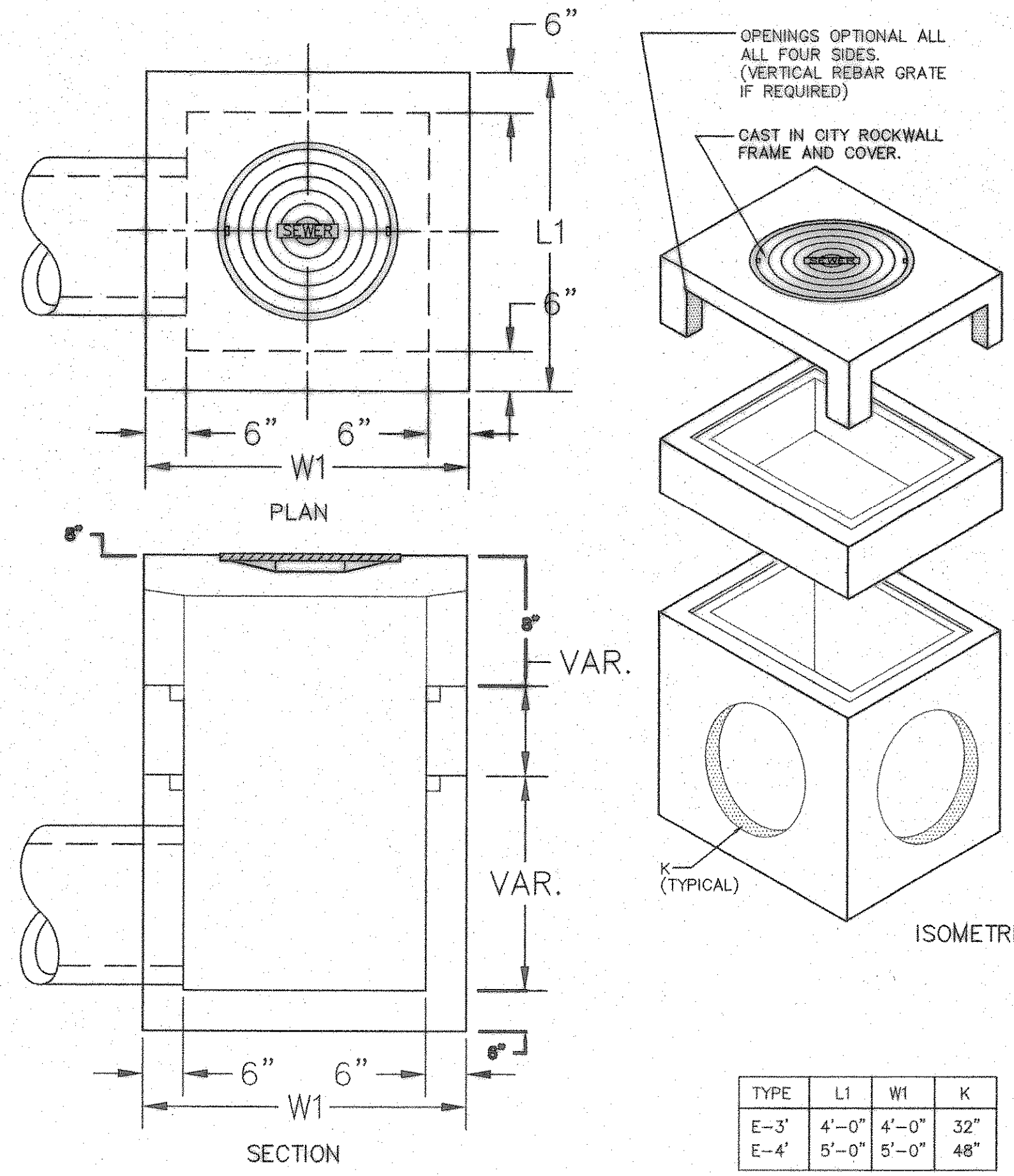


ORIFICE PLATE DETAIL
NOT TO SCALE



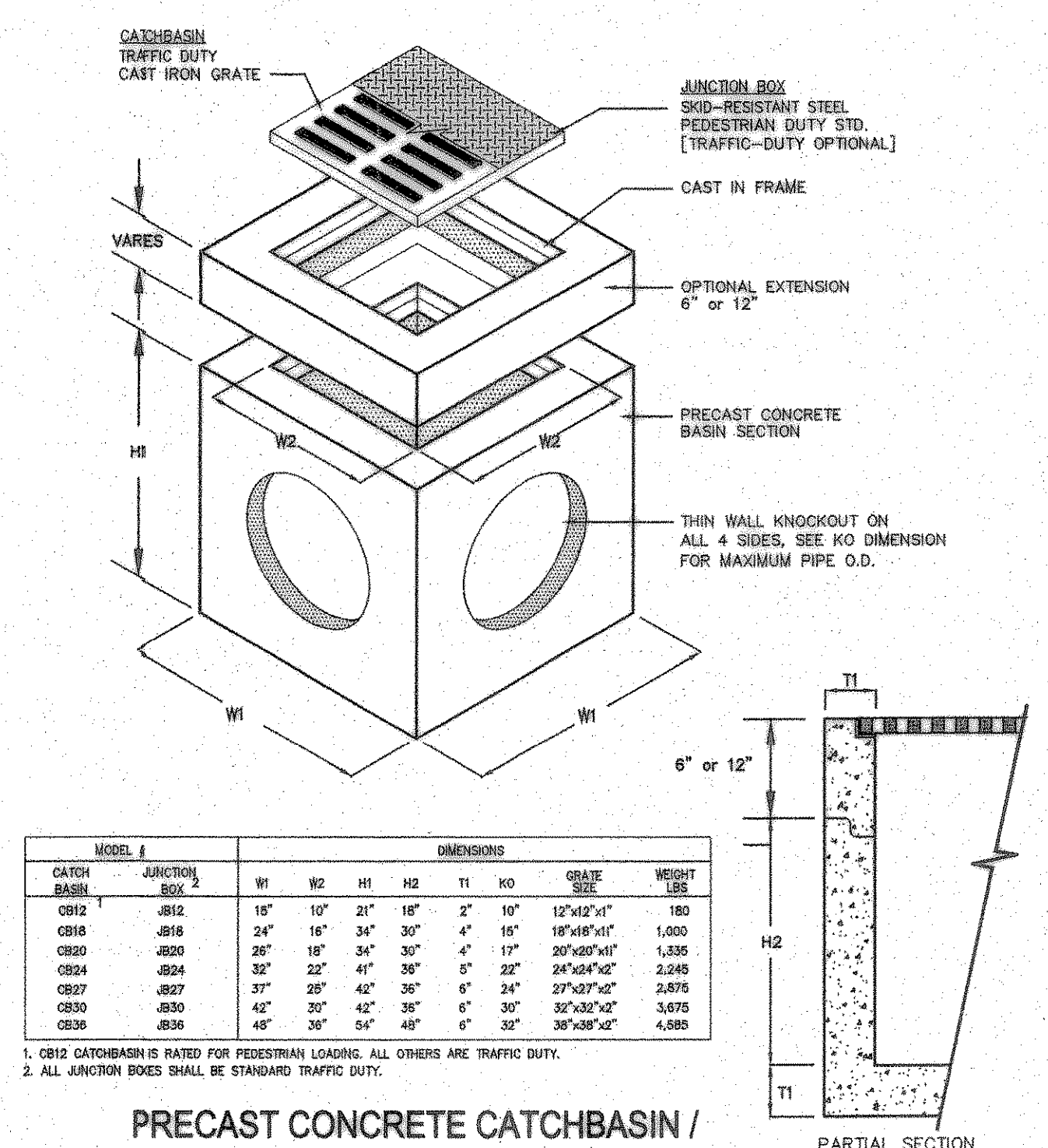
- GENERAL NOTES:**
1. ALL CONCRETE SHALL BE CLASS "A" CONCRETE.
 2. REINFORCING BARS SHALL BE STANDARD GRADE STEEL, DEFORMED REINFORCING BARS OF A DIAMETER AND LENGTH AS SHOWN.
 3. CHAMFER ALL EXPOSED CORNERS 3/4" EXCEPT WHERE OTHERWISE NOTED.
 4. DIMENSIONS RELATING TO REINFORCING STEEL ARE TO CENTERS OF BARS.
 5. FIELD CUT AND BEND BARS AS NECESSARY TO ACCOMMODATE STORM SEWER PIPE.
 6. RING AND COVER SHALL BE APPROVED BY THE OWNER AND INSTALLED BY THE CONTRACTOR.

CURB INLET CROSS SECTION & INLET THROAT	North Central Texas Council of Governments	STANDARD SPECIFICATION REFERENCE
		7.6.
	DATE	STANDARD DRAWING NO.
	NOV. '96	6020B



- SPECIFICATIONS**
- CONCRETE:** Class 1 concrete with of design strength of 4500 PSI at 28 days. Unit is of monolithic construction at floor and first stage of wall with sectional riser to required depth. Rated for H-20 Loading.
- REINFORCEMENT:** Grade 60 reinforced. No. 4 steel rebar to conform to ASTM A615 on required centers or equal.
- C.I. CASTINGS:** Cast iron frames and grates are manufactured of grey cast iron conforming to ASTM A48-76 Class 30.

"Y" INLET DETAIL
NOT TO SCALE



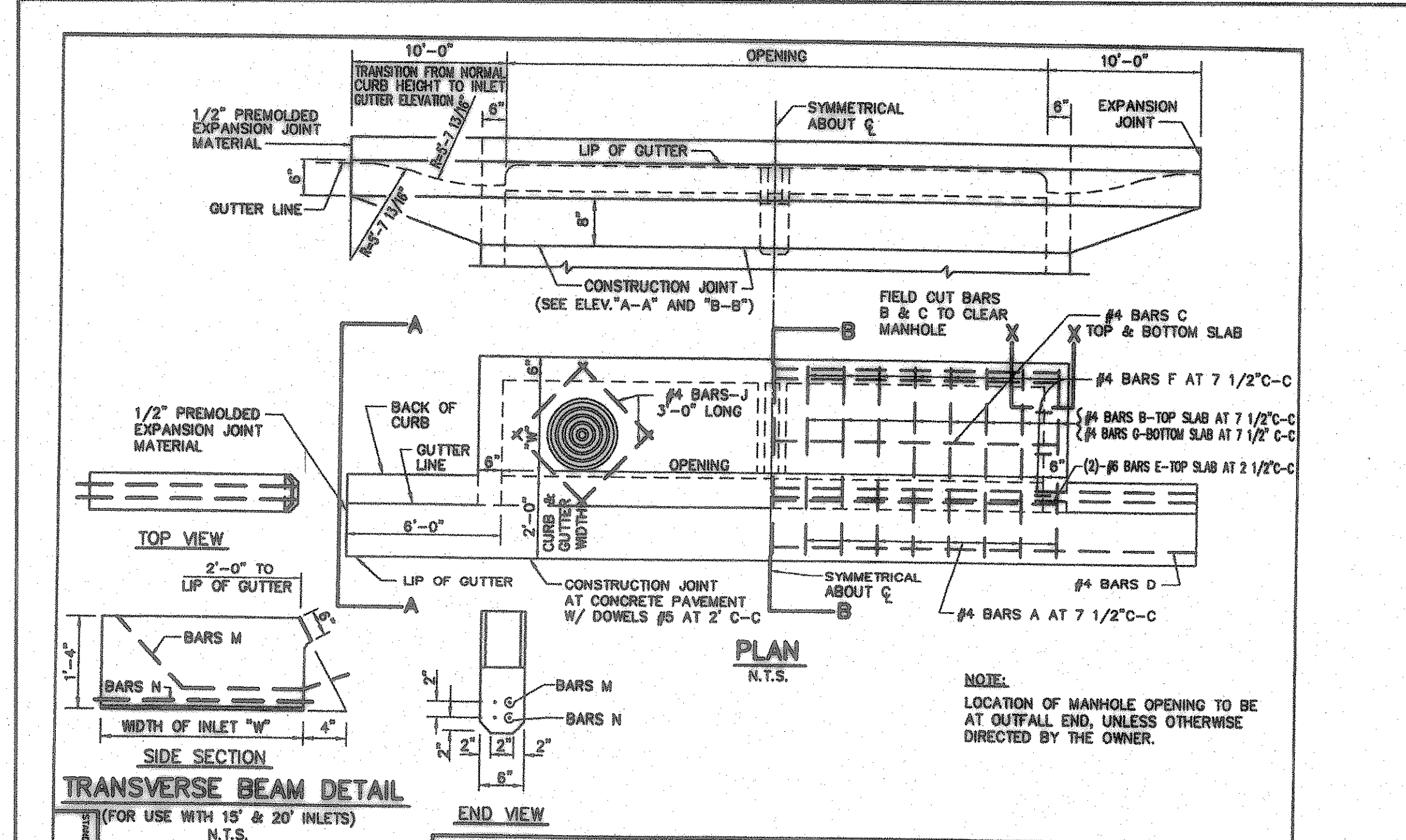
MODEL #	JUNCTION BOX #	W1	W2	H1	H2	TI	TO	GRATE SIZE	WEIGHT
CB12	4812	18"	18"	24"	18"	2"	10"	12"x12"	180
CB18	4818	24"	18"	34"	30"	4"	10"	18"x18"	1,000
CB24	4824	30"	18"	44"	30"	4"	10"	24"x24"	1,535
CB27	4827	36"	18"	44"	36"	6"	24"	24"x24"	2,585
CB30	4830	42"	30"	42"	36"	6"	30"	24"x24"	2,815
CB36	4836	48"	36"	54"	48"	6"	30"	36"x36"	4,585

1. CB12 CATCHBASIN IS RATED FOR PEDESTRIAN LOADING. ALL OTHERS ARE TRAFFIC DUTY.
2. ALL JUNCTION BOXES SHALL BE STANDARD TRAFFIC DUTY.

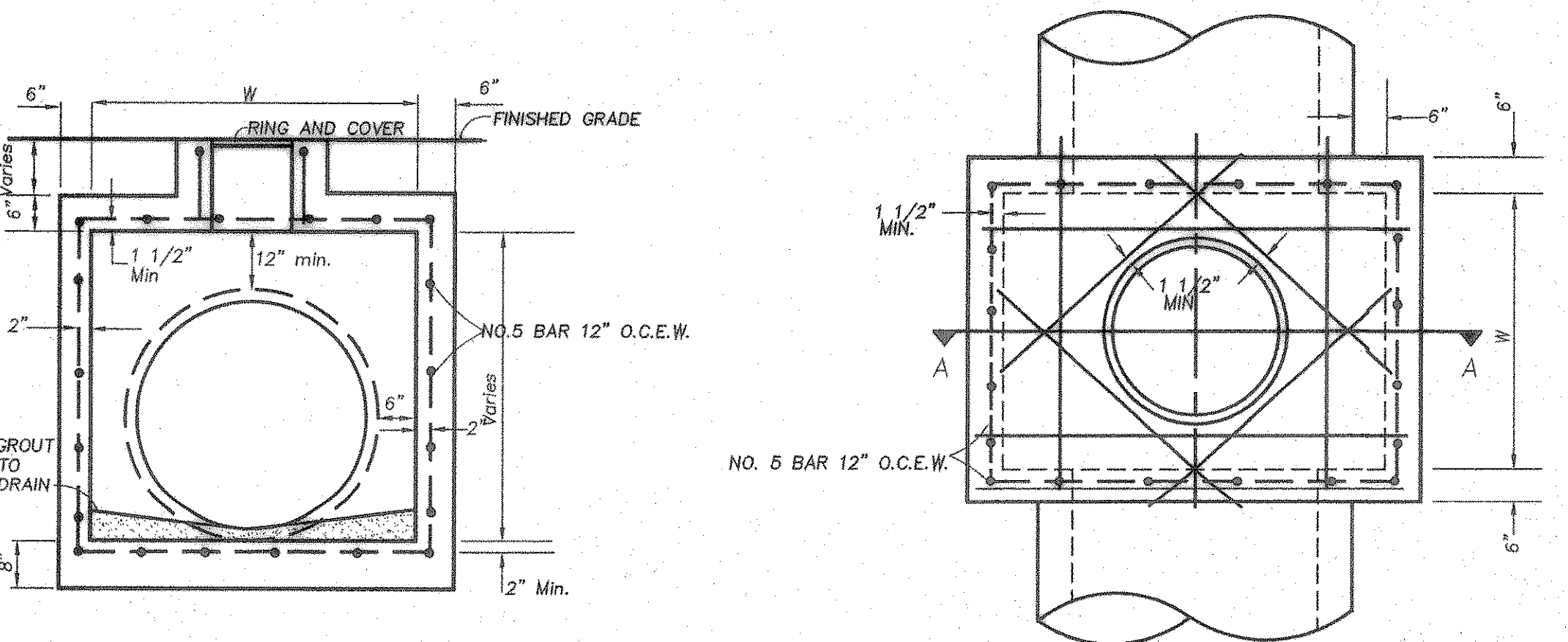
PRECAST CONCRETE CATCHBASIN / JUNCTION BOX 18" THRU 36"
NOT TO SCALE

- SPECIFICATIONS**
- CONCRETE:** Class 1 concrete with of design strength of 4500 PSI at 28 days. Unit is of monolithic construction at floor and first stage of wall with sectional riser to required depth.
- REINFORCEMENT:** Grade 60 reinforced. Steel rebar conforming to ASTM A615 on required centers or equal.
- C.I. CASTINGS:** Cast iron frames and grates are manufactured of grey cast iron conforming to ASTM A48-76 Class 30.

ALL AREA DRAINS SHALL BE CB24 (24" X24")



CURB INLET 5', 10', 15' OR 20' OPENING	North Central Texas Council of Governments	STANDARD SPECIFICATION REFERENCE
		7.6.
	DATE	STANDARD DRAWING NO.
	NOV. '96	6020A



SECTION A-A
Not To Scale

STORM SEWER JUNCTION BOX DETAIL
Not To Scale

RECORD DRAWING

This is to certify that changes and corrections have been made to conform to the owner's record of this project.

[Signature] Date 8-7-07
Glenn Engineering Corporation

STORM SEWER DETAILS
N.T.S.

1. FINE GRADATION CRUSHED STONE - TOP LAYER IS TO BE PLACED TO GRADE TO PROVIDE UNIFORM SUPPORT OF PIPE BARREL. EXCAVATE BELL HOLES.
 2. SELECT MATERIAL FREE OF ROCKS, CLUMPS OR DEBRIS LARGER THAN 6" IN GREATEST DIMENSION. COMPACT TO 90% STANDARD PROCTOR DENSITY. UNDER STRUCTURES, ROADWAYS AND PAVEMENT, USE NON-GRANULAR MATERIAL COMPACTED TO 95% STANDARD PROCTOR DENSITY. (NO SAND PERMITTED ABOVE STONE)
 3. SELECT MATERIAL FREE OF ROCKS, CLUMPS OR DEBRIS LARGER THAN 6" IN GREATEST DIMENSION. COMPACT TO 90% STANDARD PROCTOR DENSITY. UNDER STRUCTURES, ROADWAYS AND PAVEMENT, COMPACT TO 95% STANDARD PROCTOR DENSITY.
- CLASS "B+" EMBEDMENT**
(NOT TO SCALE)
ROOF DRAIN LINES AND STORM SEWER LINES

GLENN ENGINEERING

PHONE 972-77-8581 FAX 972-77-8789
106 DECKER COURT - SUITE 910 IRVING, TEXAS 75062

SHW Group LLP
Architects + Engineers + Planners

Consultants:

CIVIL:
GLENN ENGINEERING CORP

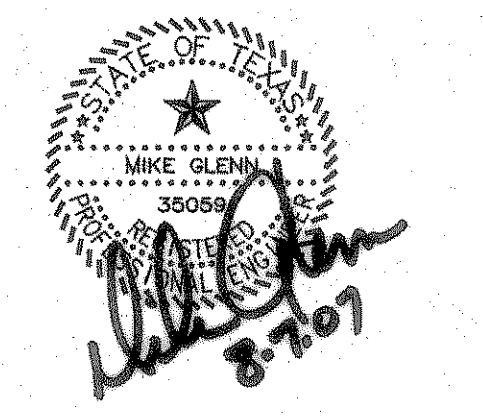
STRUCTURAL:
SHW GROUP, LLP

MEP:
ESTES McCLURE AND ASSOCIATES.

FOOD SERVICE:
H. G. RICE Inc.

LANDSCAPING:
GRUBBS RAMSEY

FINAL PLANS FOR BIDDING AND CONSTRUCTING



Rockwall Independent School District

ROCKWALL ELEMENTARY SCHOOL #11
RISD, TEXAS

Project Number: 1441.05.021
Drawing Date: 3/09/2006
Drawn: R.HOWMAN
Checked: RAH
Scale: AS SHOWN
ACAD File: BUSIEK-Details-ALL.dwg
© 2006 SHW Group, LLP

- Revisions:**
- 1 07/20/2006 CITY COMMENTS
 - 2 08/15/2006 CITY COMMENTS
 - 3 10/17/2006 REVISED BOX ELEVATIONS
 - 4 10/23/2006 WATER REVISIONS

Sheet Title:
STORM DETAILS

CU 1.11