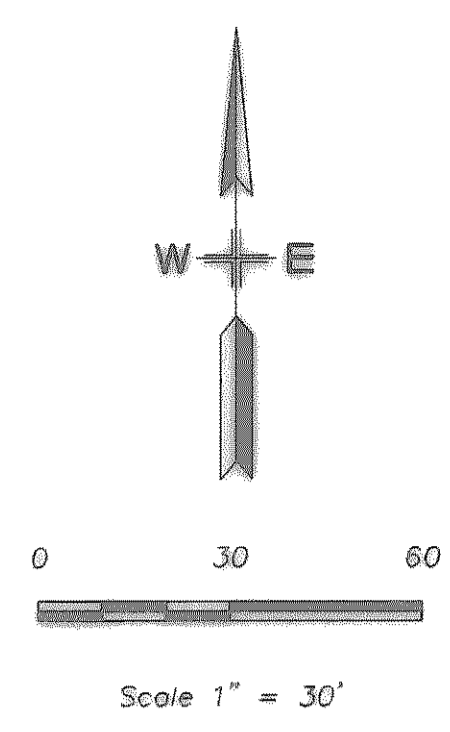


FOR GRADING PLAN  
SEE SHEET C-2.6

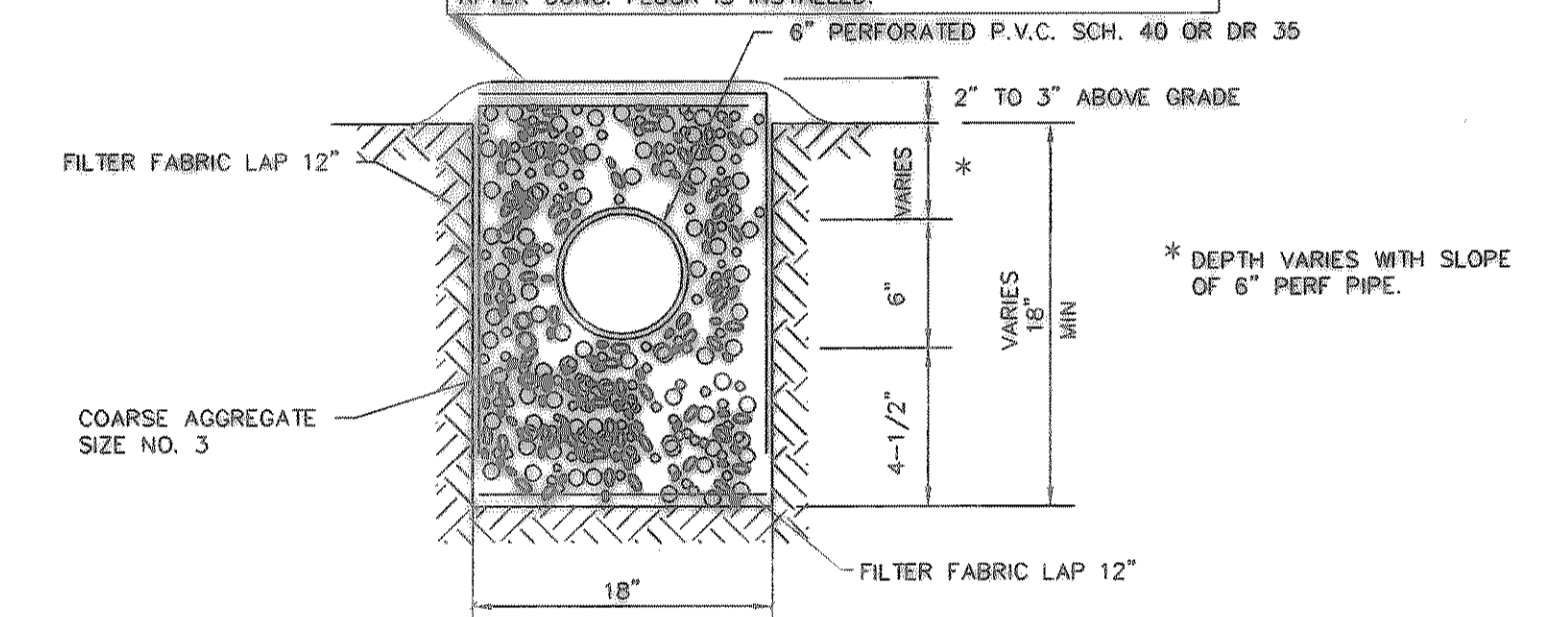
- GENERAL STORM SEWER NOTES**
1. ALL CONSTRUCTION TO BE IN ACCORDANCE WITH THESE PLANS AND CITY OF ROCKWALL STANDARDS AND SPECIFICATIONS.
  2. PRIOR TO STARTING CONSTRUCTION, THE CONTRACTOR SHALL MAKE CERTAIN THAT ALL REQUIRED PERMITS AND APPROVALS HAVE BEEN OBTAINED. NO CONSTRUCTION OR FABRICATION SHALL BEGIN UNTIL THE CONTRACTOR HAS RECEIVED AND THOROUGHLY REVIEWED ALL PLANS AND OTHER DOCUMENTS APPROVED BY ALL OF THE PERMITTING AUTHORITIES.
  3. ALL WORK SHALL BE PERFORMED IN ACCORDANCE WITH THESE PLANS AND SPECIFICATIONS AND THE REQUIREMENTS AND STANDARDS OF THE LOCAL GOVERNING AUTHORITY.
  4. IN THE EVENT AN ITEM IS NOT COVERED IN THE CITY OF ROCKWALL SPECIFICATIONS, THE ENGINEER'S DECISION SHALL APPLY.
  5. BARRICADING, TRAFFIC CONTROL, AND PROJECT SIGNS SHALL CONFORM TO "STATE DEPARTMENT OF HIGHWAYS AND PUBLIC TRANSPORTATION BARRICADING AND CONSTRUCTION STANDARDS".
  6. THE GENERAL CONTRACTOR AND ALL SUB-CONTRACTORS SHALL VERIFY THE SUITABILITY OF ALL EXISTING AND PROPOSED SITE CONDITIONS INCLUDING GRADES AND DIMENSIONS BEFORE COMMENCEMENT OF ANY CONSTRUCTION. IN THE EVENT OF ANY CONFLICT AND PRIOR TO COMMENCEMENT OF ANY CONSTRUCTION, IMMEDIATELY NOTIFY ENGINEER. MINOR ADJUSTMENTS OF FINISH GRADE TO ACCOMPLISH SPOT DRAINAGE ARE ACCEPTABLE, IF NECESSARY, UPON PRIOR APPROVAL OF ENGINEER. PAVING INSTALLED SHALL "FLUSH OUT" AT ANY JUNCTURE WITH EXISTING PAVING.
  7. THE LOCATIONS OF UNDERGROUND UTILITIES SHOWN ON THIS PLAN ARE BASED ON FIELD SURVEYS AND LOCAL UTILITY COMPANY RECORDS. IT SHALL BE THE CONTRACTOR'S FULL RESPONSIBILITY TO CONTACT THE VARIOUS UTILITY COMPANIES TO LOCATE THEIR UTILITIES PRIOR TO STARTING CONSTRUCTION.
  8. CONTRACTOR SHALL VERIFY ALL EXISTING INVERTS AND RIM ELEVATIONS PRIOR TO CONSTRUCTION.
  9. ALL PVC PIPE SHALL BE SCH 40, ADS, HANCOR OR APPROVED EQUAL.
  10. ALL RCP SHALL BE CLASS III.



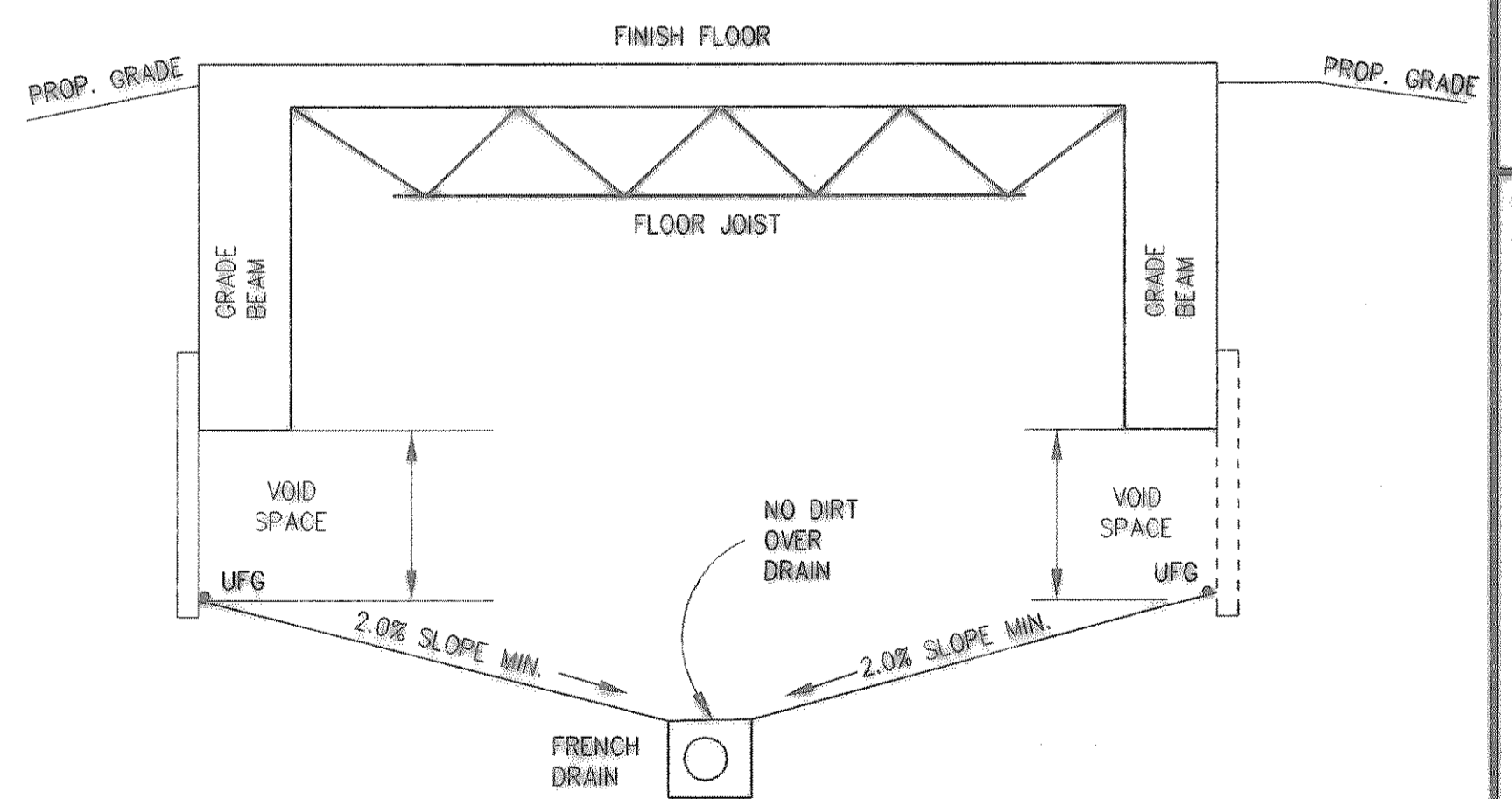
CONTRACTOR SHALL VERIFY ALL EXISTING INVERTS AND ELEVATIONS PRIOR TO CONSTRUCTION.

ALL STORM SEWER CONSTRUCTION TO BE PER CITY OF ROCKWALL STANDARDS.

NOTE: ALL AGGREGATE SHALL CONFORM WITH A.S.T.M. C-33.  
24" WIDE LAYER OF BUILDING PAPER OR PLYWOOD TO COVER DRAIN DURING CONSTRUCTION. COVER SHALL BE REMOVED AFTER CONC. FLOOR IS INSTALLED.



**DETAIL  
TYPE 1 FRENCH DRAIN**



**UNDER FLOOR GRADING DETAIL**

NOTE: SEE STRUCTURAL PLANS FOR ACTUAL BEAM DEPTHS AND VOID SPACE REQUIREMENTS.

NOTE: PRIOR TO JOIST AND DECKING BEING SET IN PLACE ENGINEER MUST APPROVE UNDERFLOOR GRADING.

**UNDERFLOOR GRADING PLAN**  
SCALE: 1" = 30'

These Drawings have been modified to conform to the Construction Records.  
Glenn Engineering Corporation  
By *J. Glenn* Date: 2.23.04

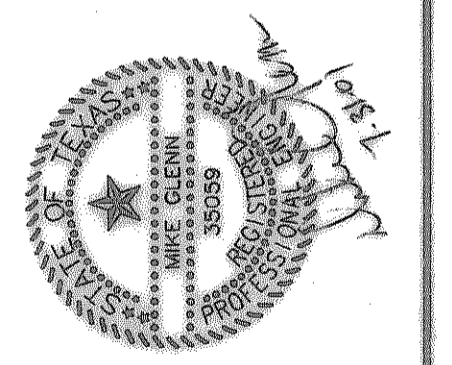
**GLENN ENGINEERING**  
PHONE 972-717-8151  
100 DECKER COURT - SUITE 210  
IRVING, TEXAS 75038

FAX 972-719-4229  
IRVING, TEXAS 75038

DATE: MAY 18, 2001  
DRAWN BY: F. HOWMAN  
CHECKED: PAH  
CADD NO: 1441-01-017  
REVISED:

**ROCKWALL ELEMENTARY #9  
ROCKWALL INDEPENDENT SCHOOL DISTRICT  
ROCKWALL,  
TEXAS**

FINAL PLANS FOR BIDDING AND CONSTRUCTION



**SHW Group Inc.**  
Architects + Engineers

SHEET NUMBER **C**  
OF **22**  
**2.9**  
SET NUMBER

H:\ROCKWALL\LAKEVIEW\SUMMIT\UNDERFLOOR.dwg, UNDERFLOOR, 07/19/01 08:09:46 AM, 1:1, Rick NT