

DATE MAY 18, 2001
 DRAWN BY R. HOWMAN
 CHECKED RAH
 CORR NO 1441-01-017
 REVISED

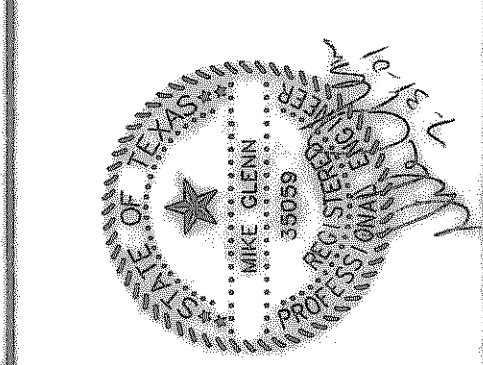
ROCKWALL ELEMENTARY #9

ROCKWALL INDEPENDENT SCHOOL DISTRICT

TEXAS

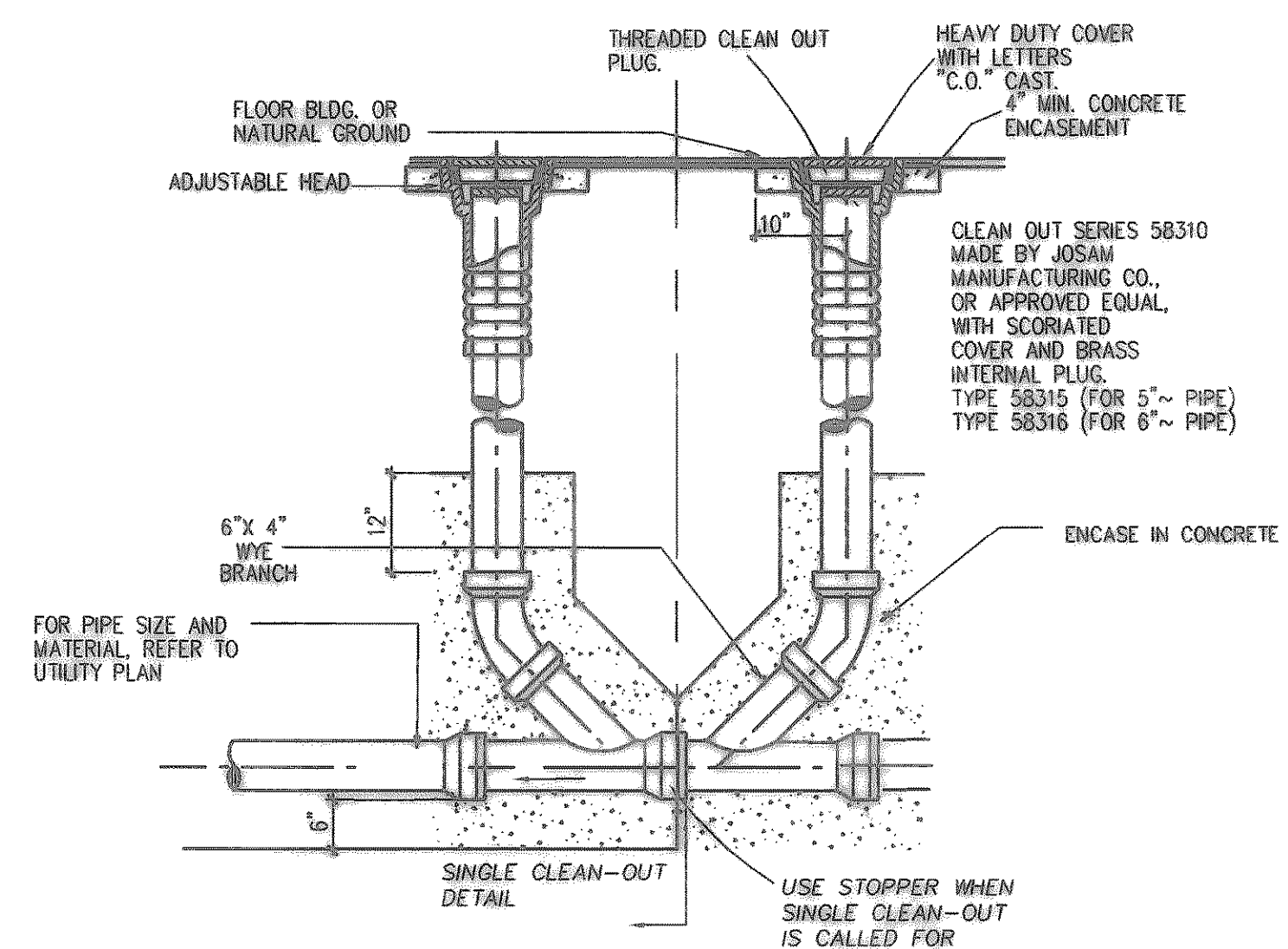
ROCKWALL,

FINAL PLANS FOR BIDDING AND CONSTRUCTION



SHW Group Inc.
 Architects + Engineers

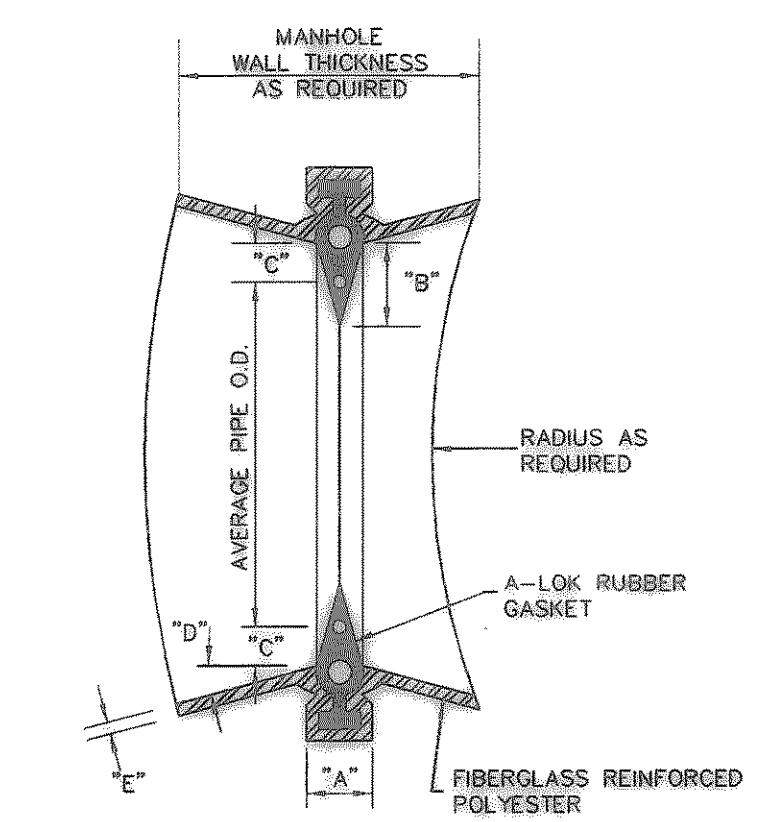
SHEET NUMBER **C**
2.19
 OF 22
 SET NUMBER



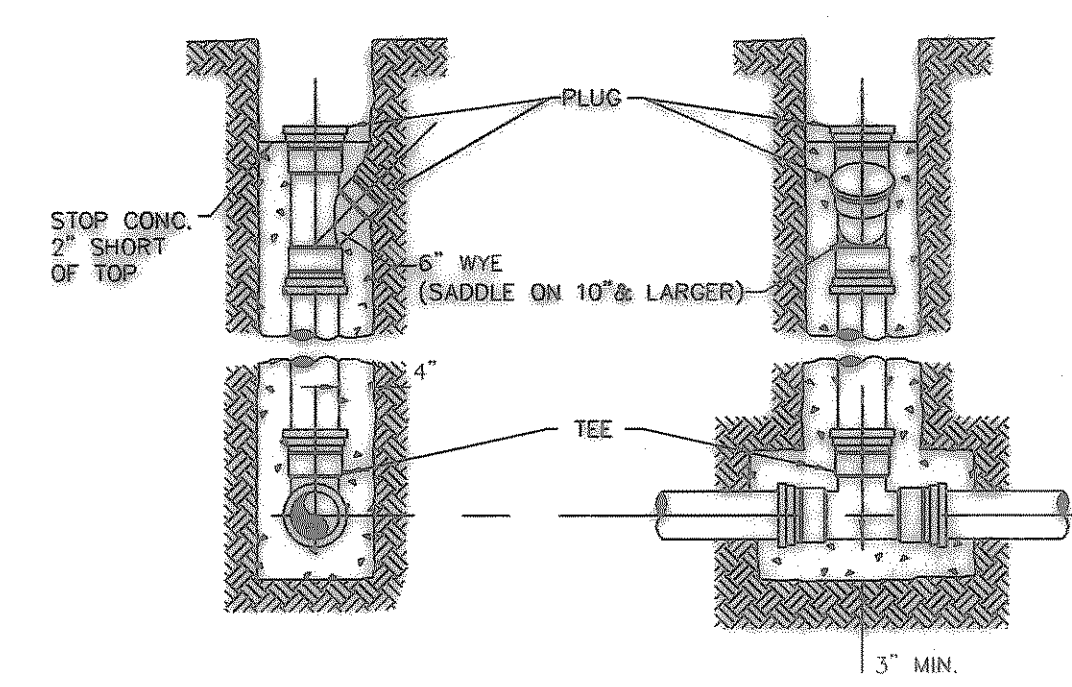
SANITARY SEWER DOUBLE CLEAN-OUT
 SINGLE / DOUBLE

DIMENSION FOR MANHOLE PIPE CONNECTOR A.S.T.M. 0-993

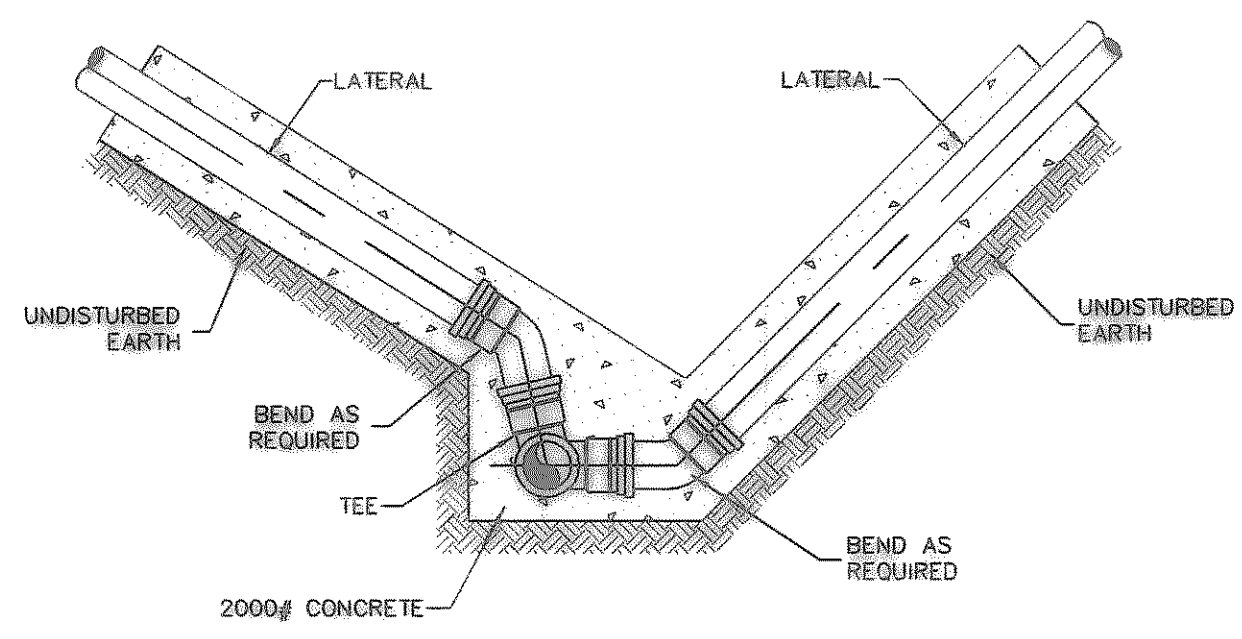
PIPE SIZE	A	B	C	D	E
4"-6"	1 1/2"	7/8"	3/8"	10"	0.10±
8"-24"	2 1/8"	1 3/8"	5/8"	10"	0.10±
24"-60"	2 3/8"	1 3/4"	3/4"	10"	0.25±



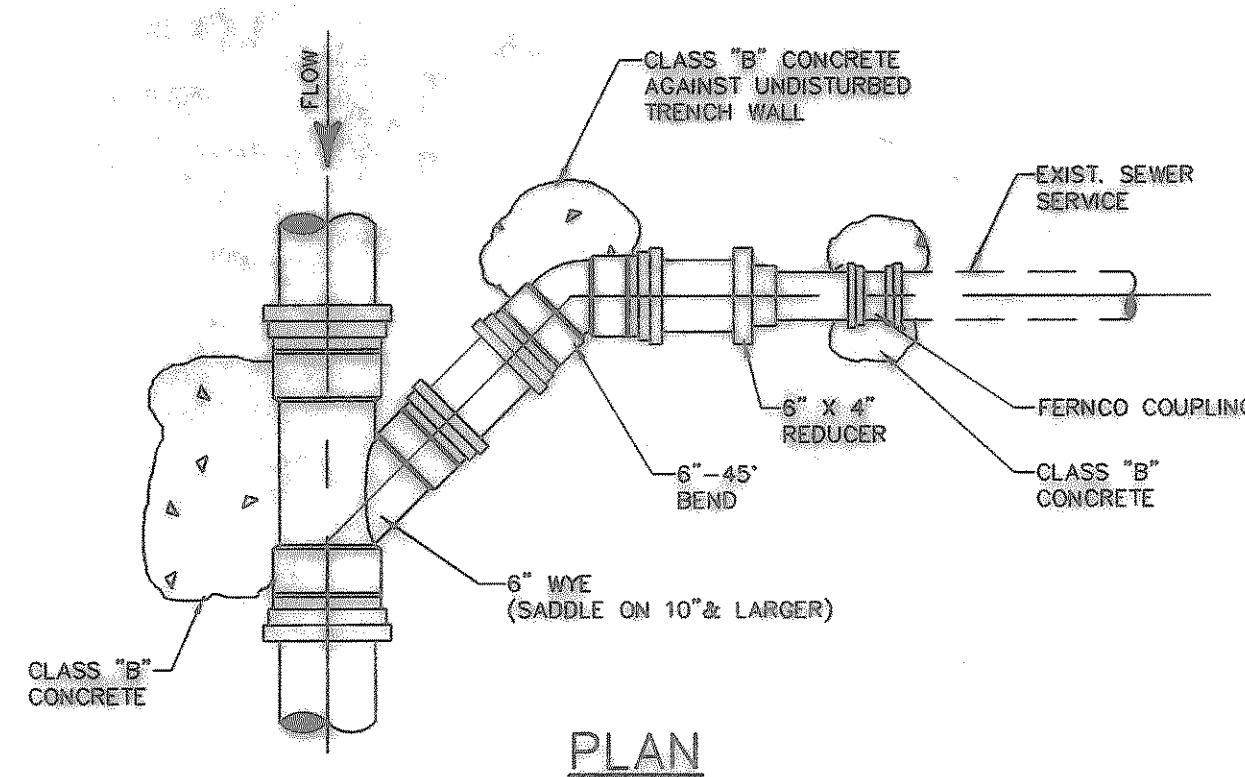
MANHOLE PIPE CONNECTOR
 (FOR ALL CAST-IN-PLACE MANHOLES)



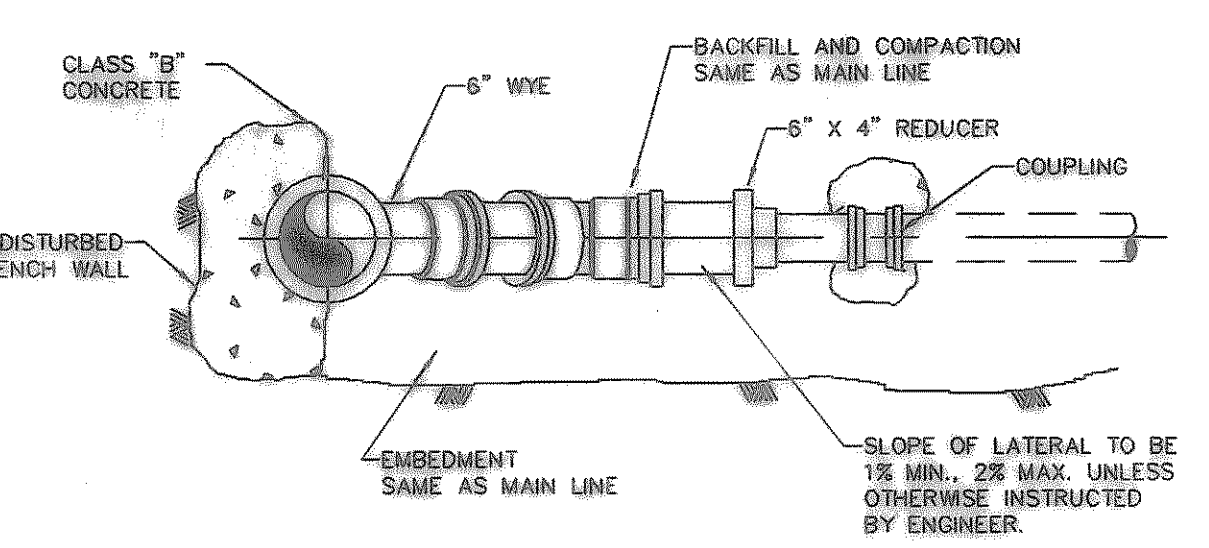
DEEP CUT CONNECTION USING P.V.C. PIPE



LATERAL CONNECTION FOR DITCHES WITH SLOPING SIDES USING PVC PIPE

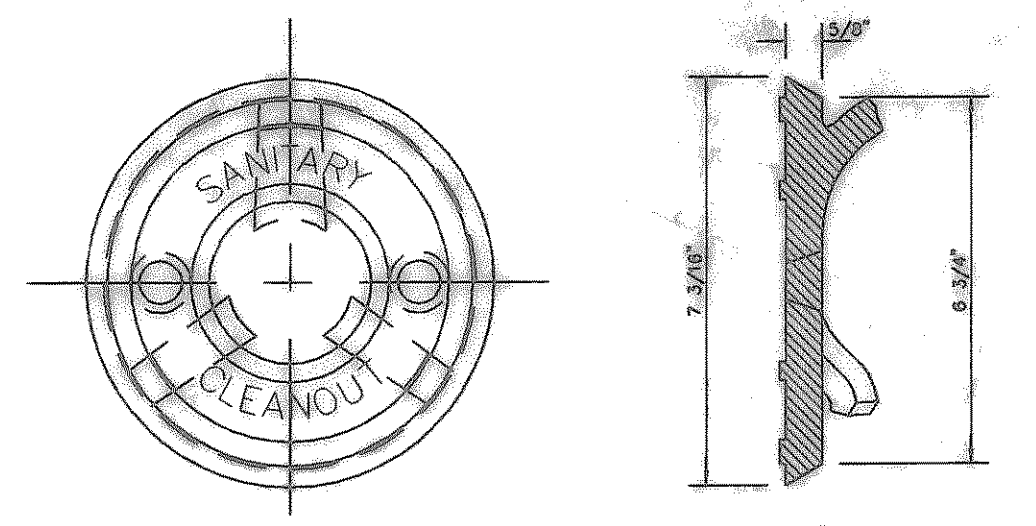


PLAN

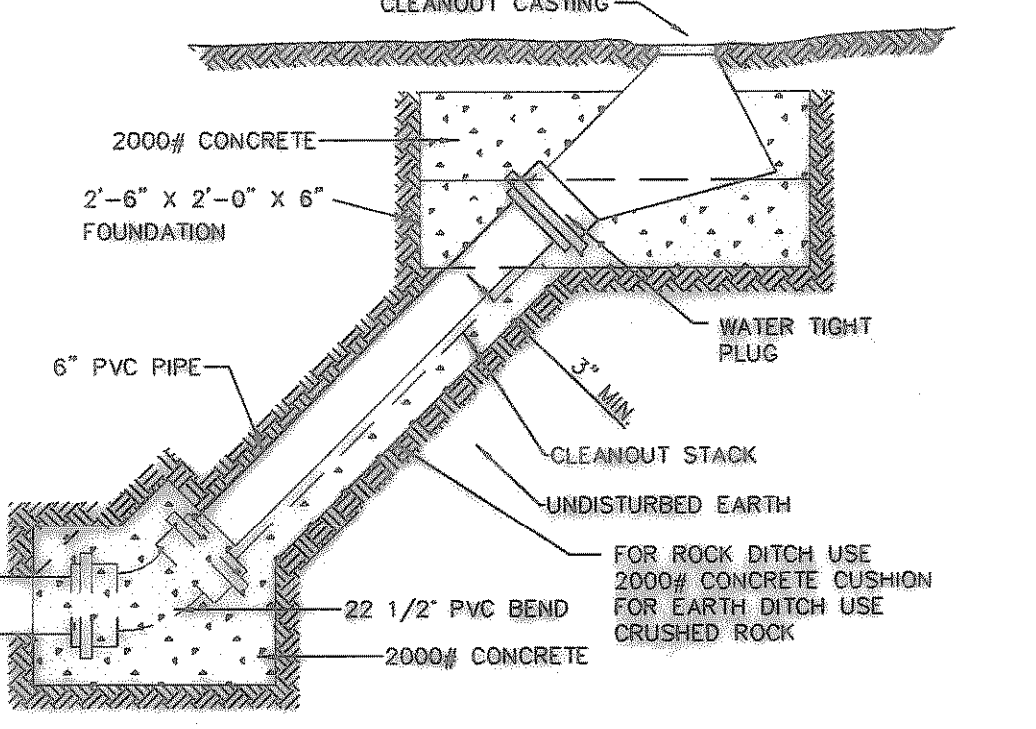


SECTION

DETAIL SANITARY SEWER SERVICE
 3/4"=1'-0"

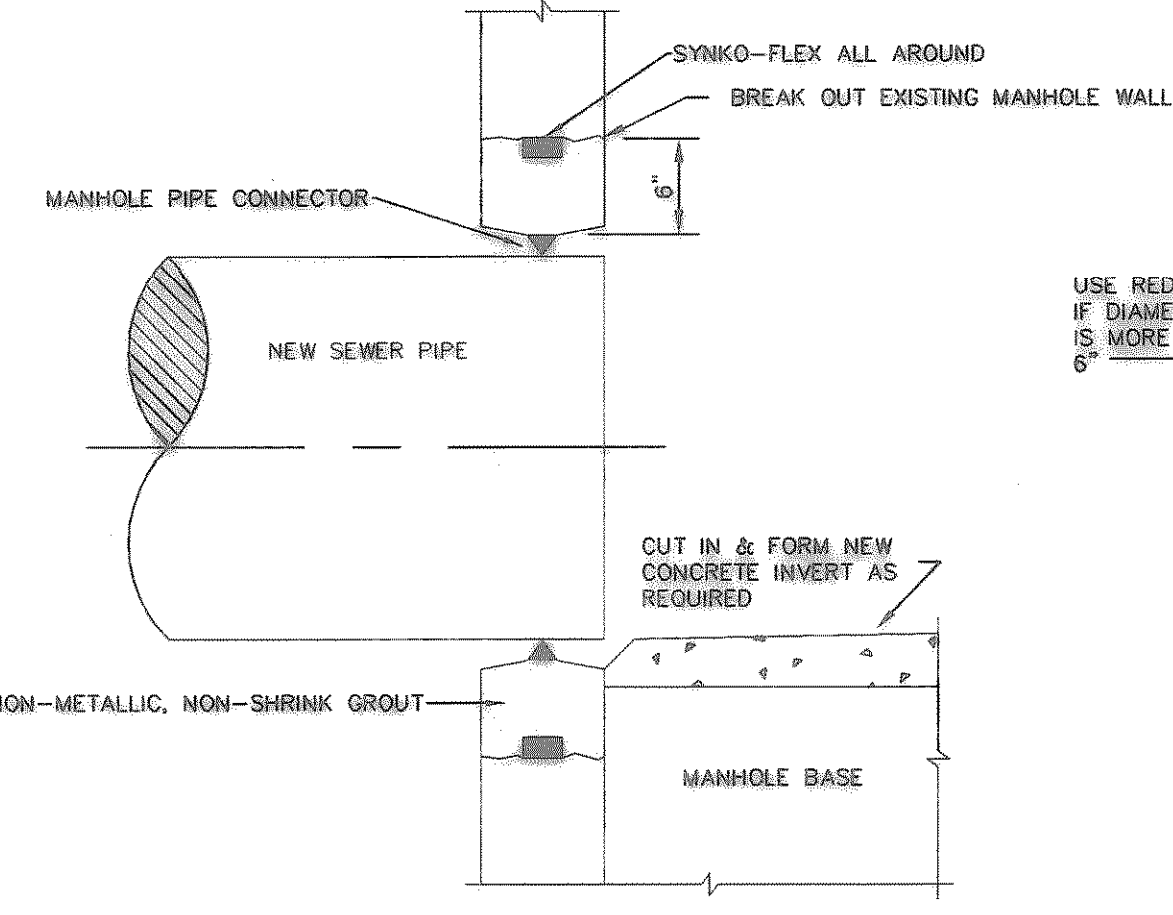


CLEANOUT FRAME AND COVER DETAIL



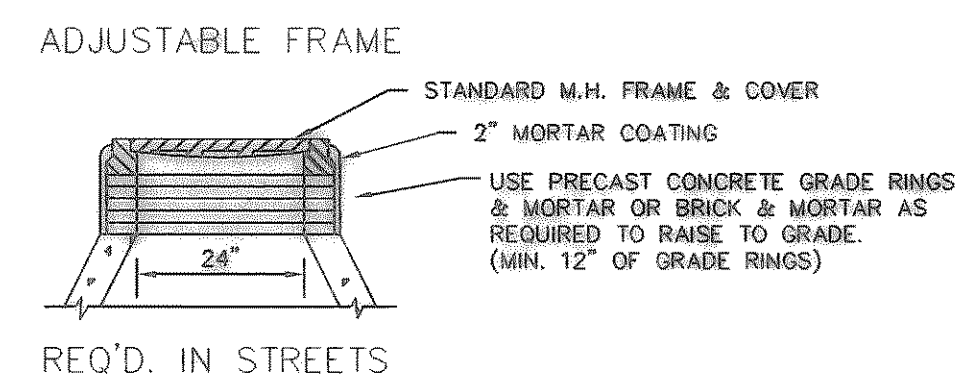
DETAIL SANITARY SEWER CLEANOUT

NOTE: FLOWLINE TO MATCH TOP OF PIPE ON MAIN LINE FOR PIPES 18" AND SMALLER AND MATCH 7" OF MAIN LINE PIPE FOR PIPES LARGER THAN 18"

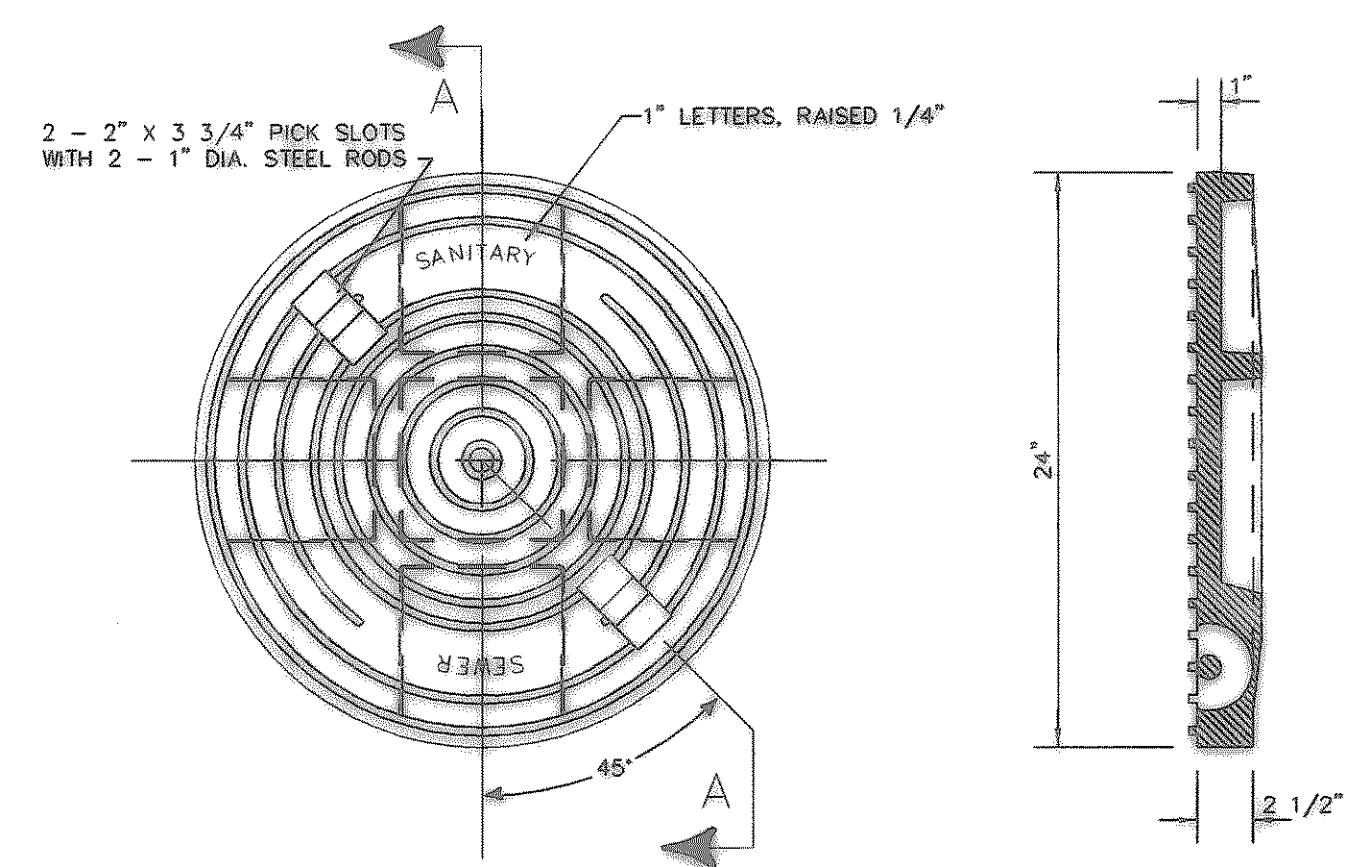


PIPE CONNECTION TO EXISTING MANHOLE AND JUNCTION BOX

NOTE: STRUCTURAL CONCRETE TO BE 4,200 P.S.I. MINIMUM STRENGTH

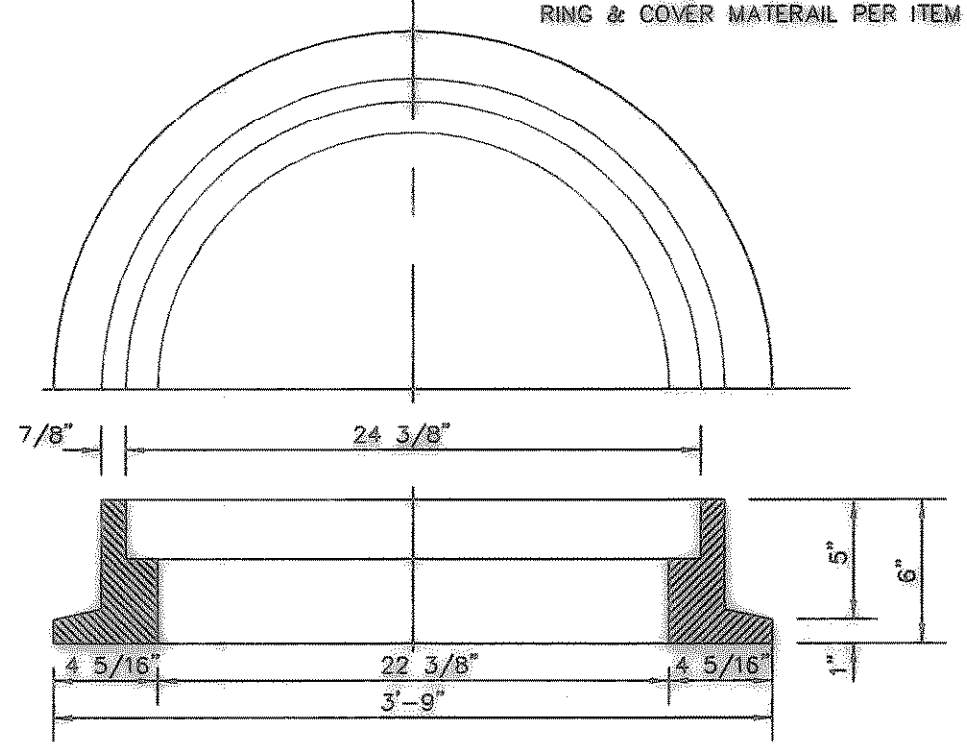


REQ'D. IN STREETS



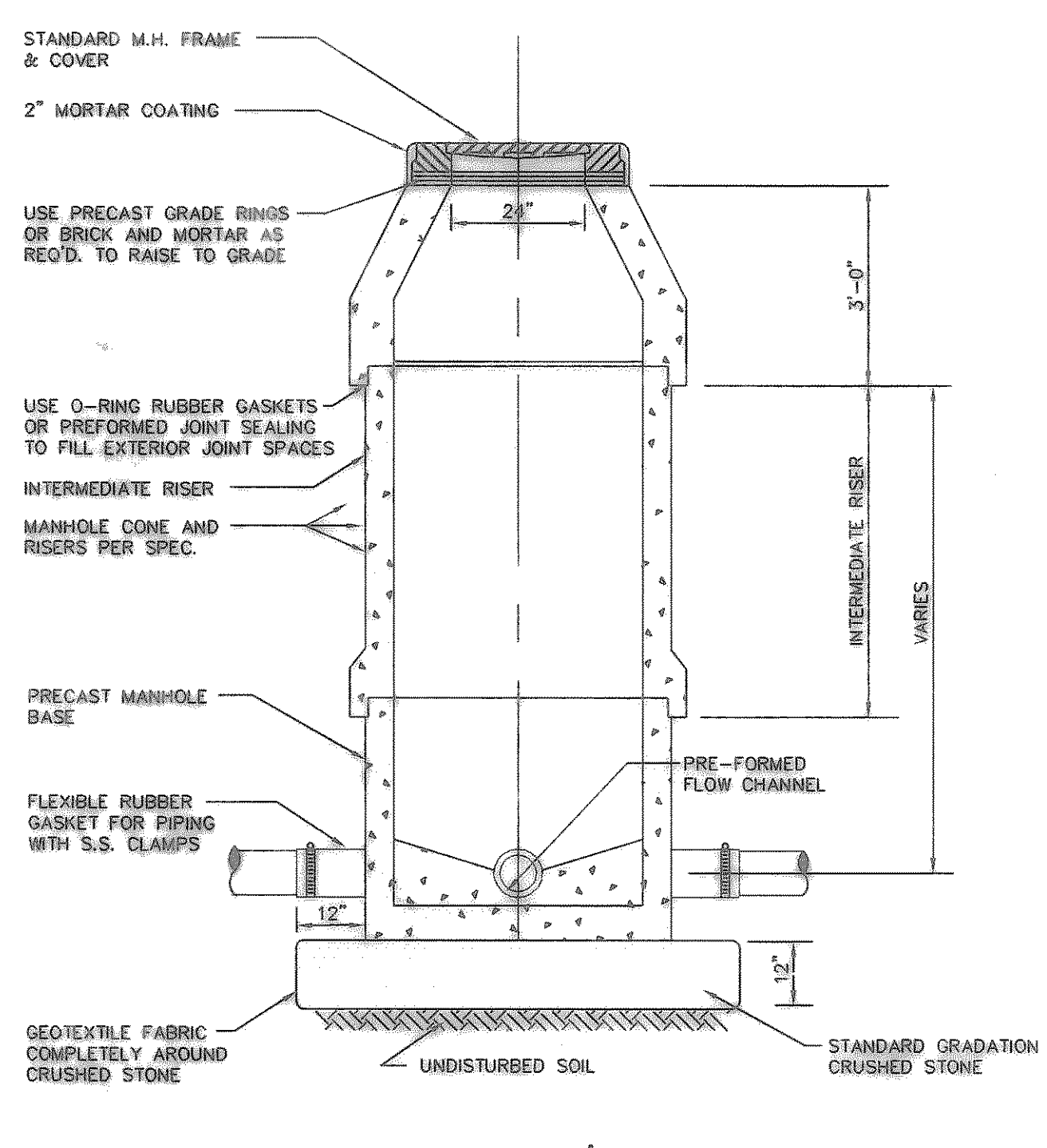
PLAN OF COVER

1" DIA. STEEL RODS MATERIAL PER ITEM 2.11.5 (b) (2)
 RING & COVER MATERIAL PER ITEM 2.11.5 (c)



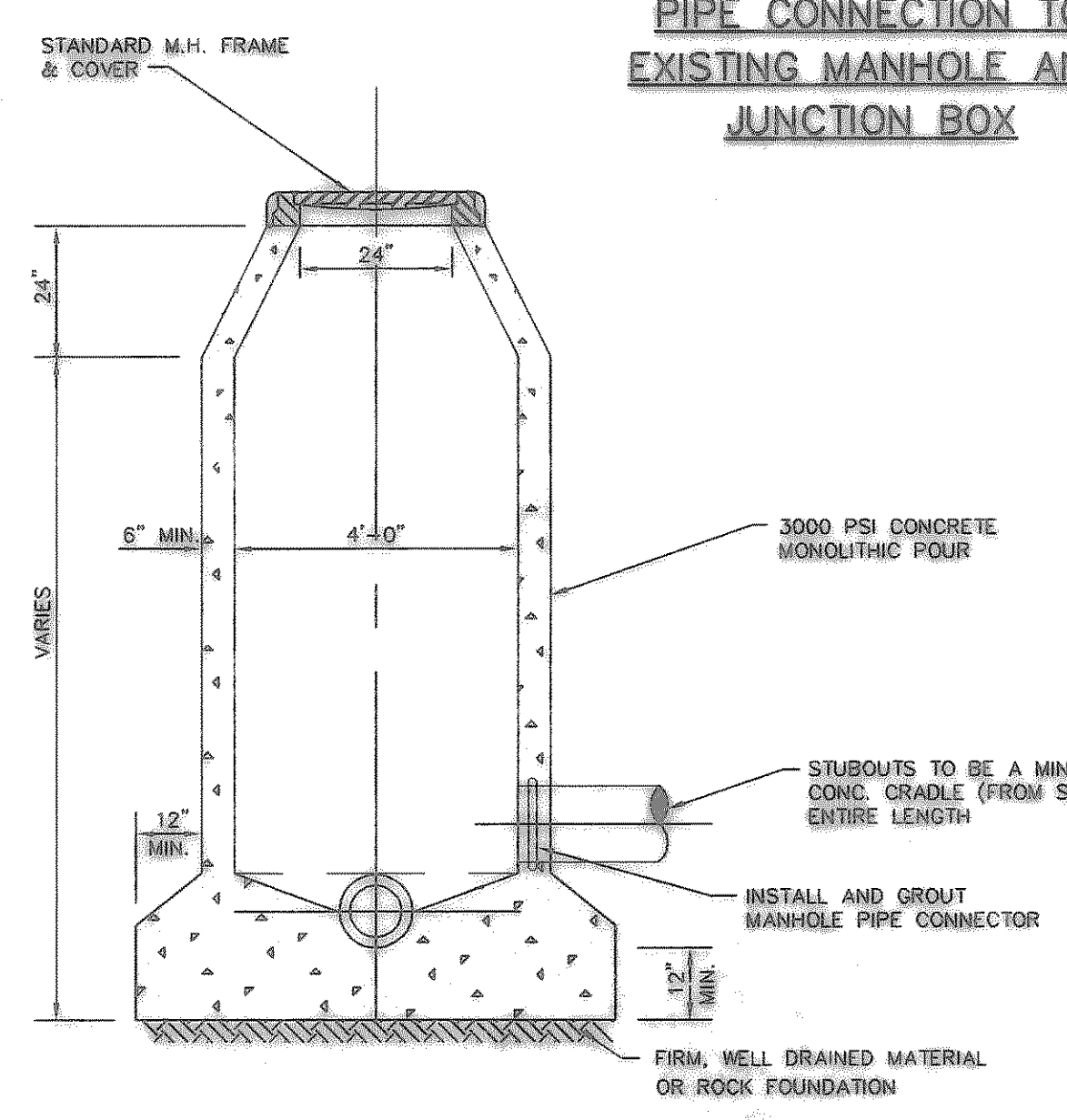
MANHOLE FRAME & COVER DETAIL

NOTE: THE BASS AND HAYES MANHOLE FRAME AND COVER, NO. 380-24P IS ACCEPTABLE.



STANDARD PRECAST MANHOLE

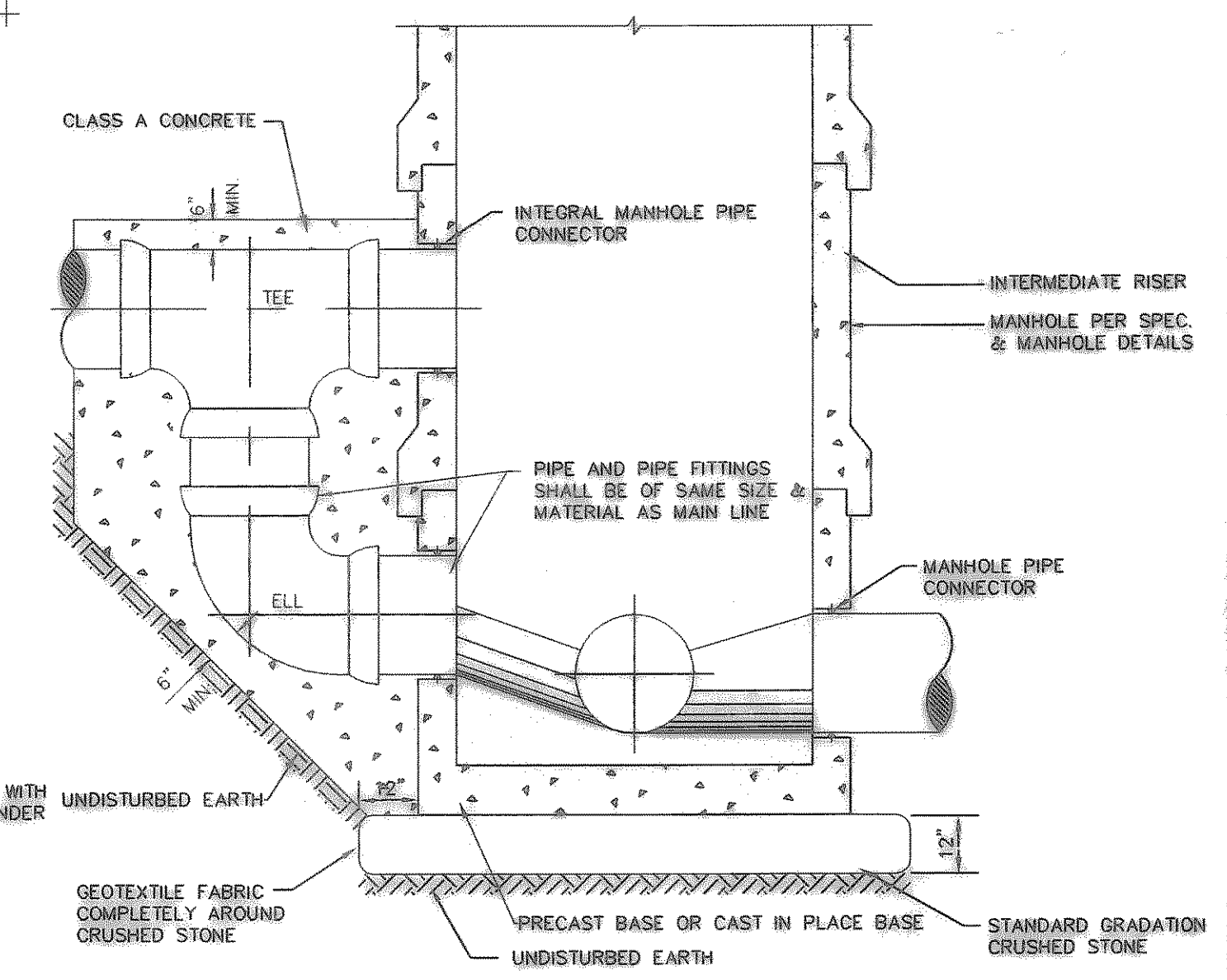
NOTE: FOR TYPE "S" MANHOLES USE PRESSURE TYPE MANHOLE FRAME AND COVER. DO NOT USE GRADE RINGS. SET ANCHOR BOLTS DIRECTLY IN MANHOLE CONE.



STANDARD CAST-IN-PLACE MANHOLE

NOTE: FOR TYPE "S" MANHOLES USE PRESSURE TYPE MANHOLE FRAME AND COVER. DO NOT USE GRADE RINGS. SET ANCHOR BOLTS DIRECTLY IN MANHOLE CONE.

These Drawings have been modified to conform to the Construction Records.
 Glenn Engineering Corporation
 By *J. Allen* Date: 2-23-04



DROP MANHOLE BASE DETAIL

SANITARY SEWER DETAILS
 N.T.S.