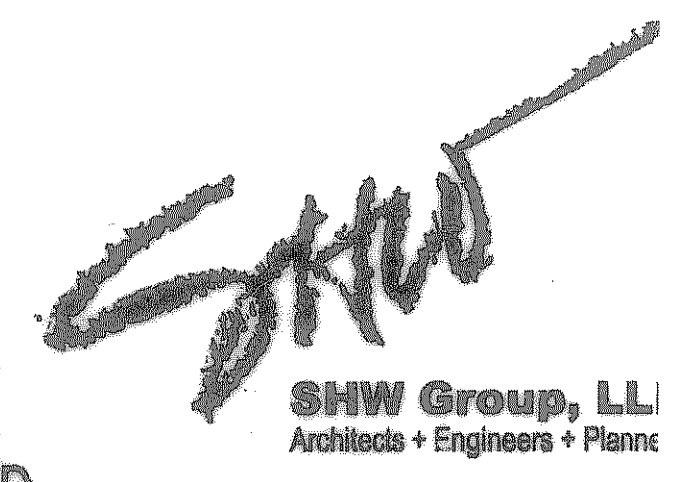
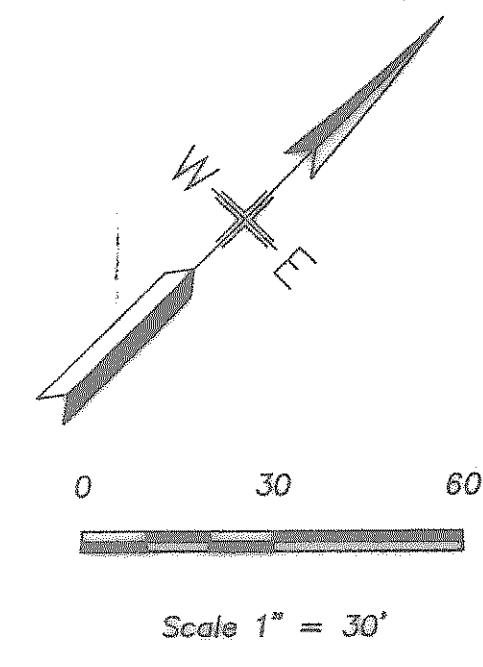
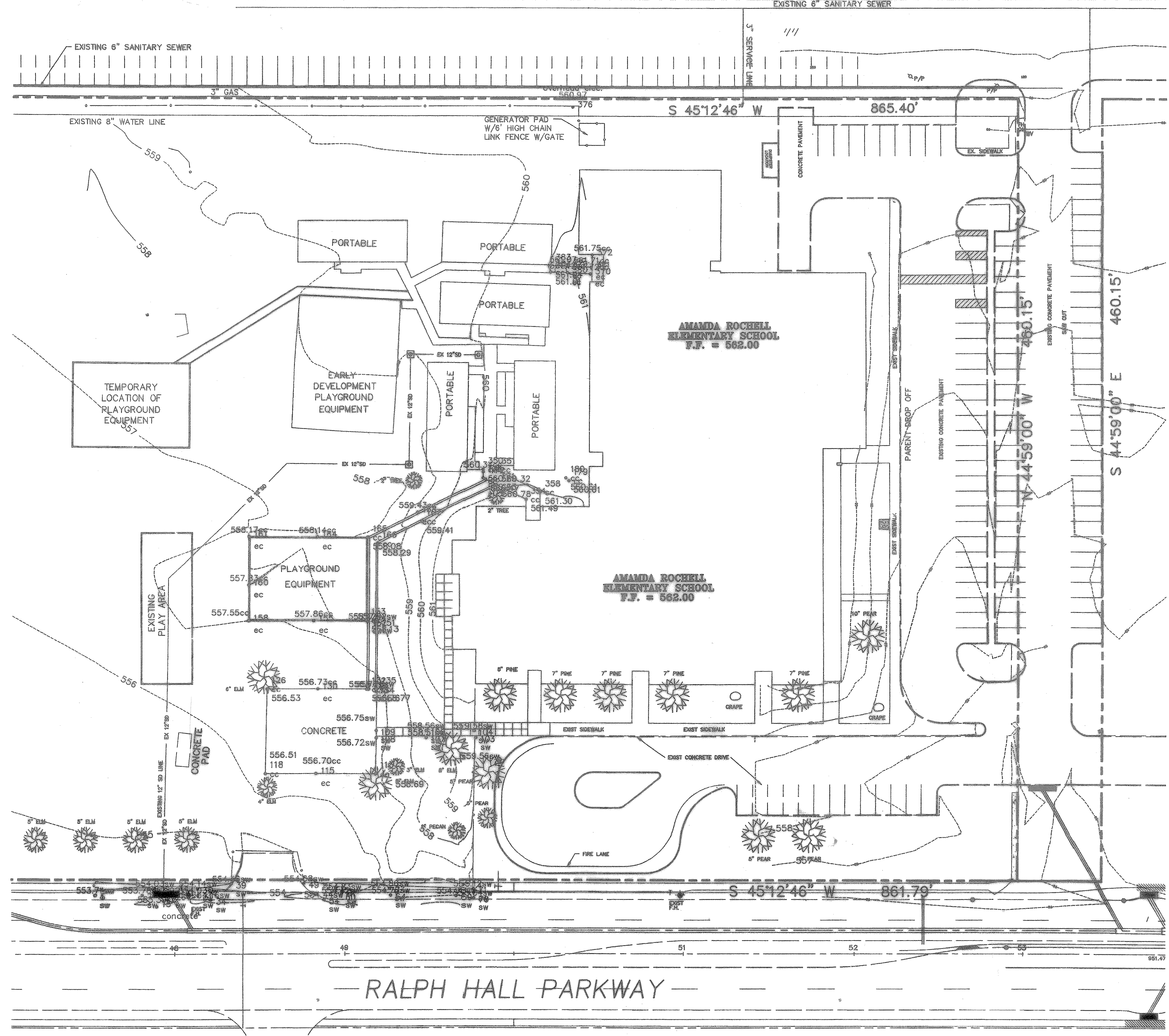
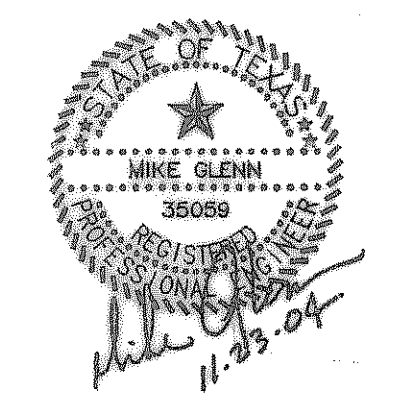


N 45°12'46" E 1055.99'



Consultants:  
 CIVIL:  
 GLENN ENGINEERING CORP.  
 STRUCTURAL:  
 SHW GROUP, LLP  
 MEP:  
 ESTES MCCLURE AND ASSOCIATES  
 LANDSCAPING:  
 GRUBBS RAMSEY

Final Plans for Bidding and Construction



Rockwall Independent School District

**AMANDA ROCHELL ELEMENTARY ADDITIONS AND RENOVATIONS**

ROCKWALL, TEXAS

Project Number: 1441.04.0  
 Drawing Date: 08/31/20  
 Drawn: R.HOWM/  
 Checked: R/  
 Scale: AS SHOWN  
 ACAD File: ROCHELLE-ENG-ADD1-REV  
 © 2004 SHW Group, LLP

Revisions:

1	10/12/2004	CITY COMMENTS
2	11/8/2004	CITY COMMENTS
3	11/23/2004	CITY COMMENTS

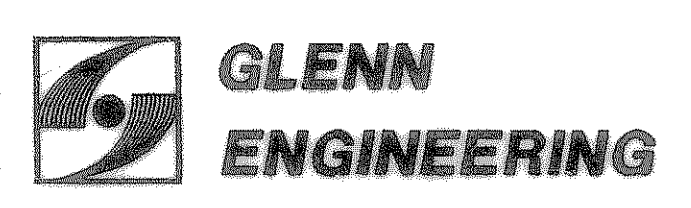
APPROVED FOR CONSTRUCTION

DEC 2 2 2004

City of Rockwall Engineering Dept.  
 City Engineer: *CA*

**FOR REFERENCE ONLY TOPOGRAPHIC SURVEY**

Scale 1"=30'



Sheet Title:  
**TOPOGRAPHIC SURVEY**

These Drawings have been modified to conform to the Construction Records.  
 Glenn Engineering Corporation  
 By: *CA* Date: 2-25-06

V 1.0

User: Rick  
 8:33am  
 C-DRIVE\ROCK\SD\Rockell\BID-SET\ADDITION\BIDSET\ROCHELLE-ENG-ADD1-REV2.dwg  
 1/22/2004 08:33:25 AM, RICK