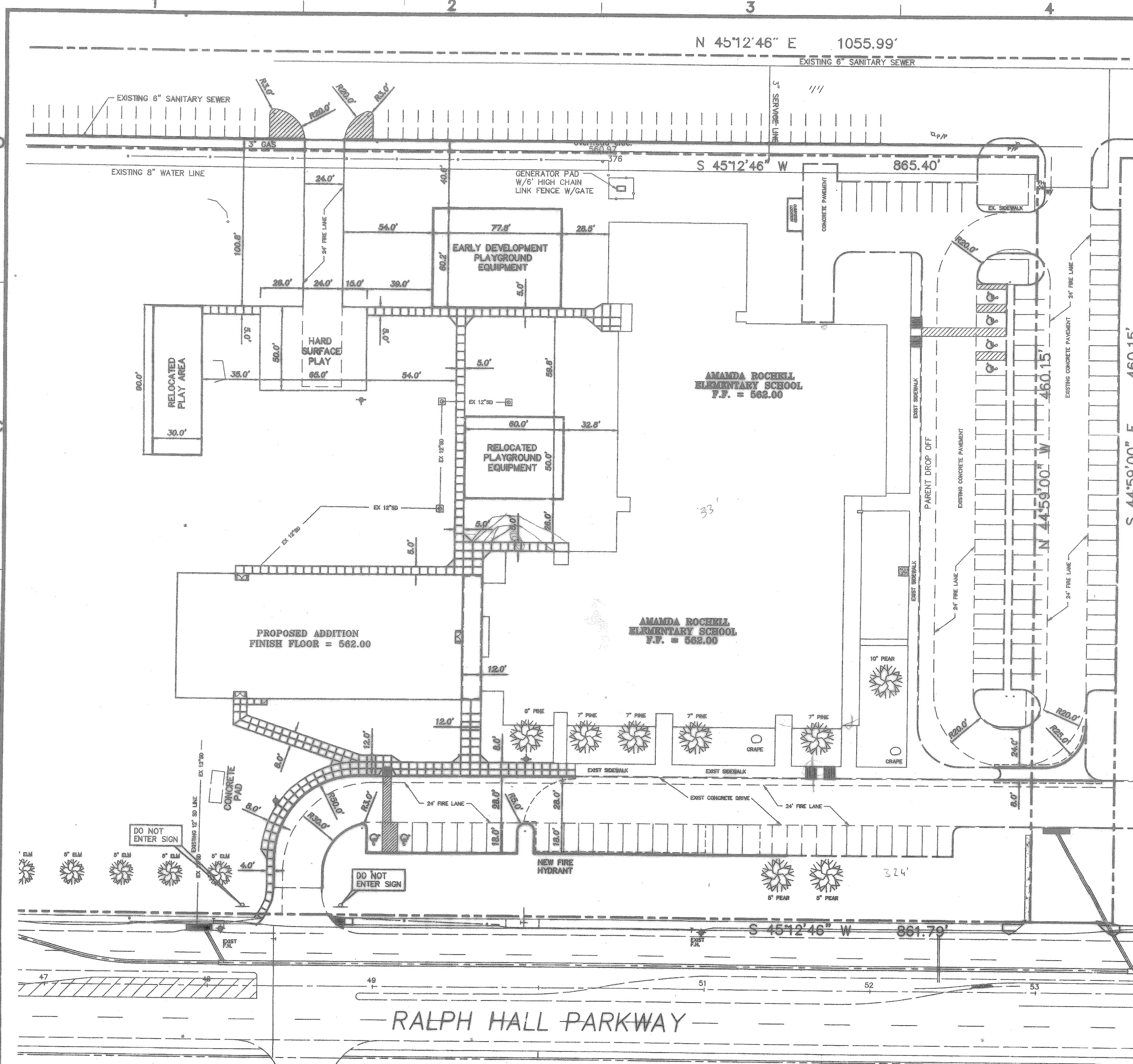


Nov 23, 2004 - 8:44 am User: Rick  
 \\Robert--xp\C-DRIVE\ROCKHILL\ROCHELLE\BID-SET\ADDITION\BIDSET\ROCHELLE-ENG-ADD1-REV2.dwg



**GENERAL NOTES:**

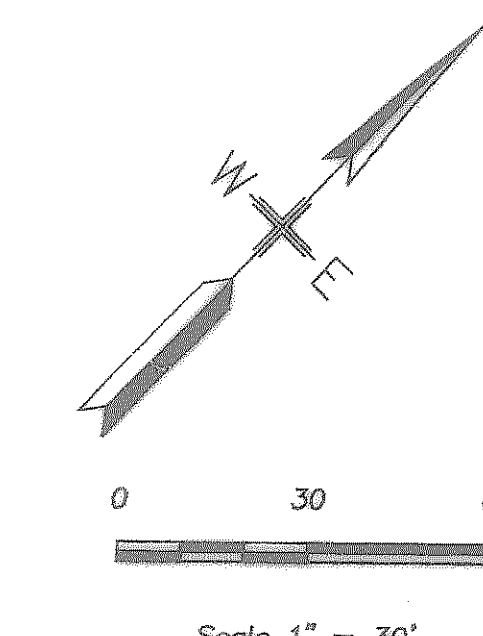
1. STRIPING & SIGNAGE DIMENSIONS ARE FROM FACE OF CURB
2. ALL FIRE LANES, PARKING STRIPING, HDOP PARKING STRIPING & SIGNAGE ARE TO BE IN ACCORDANCE WITH CITY OF ROCKWALL REQUIREMENTS, TYP.
3. THE SANITATION CONTAINER SCREENING WALLS WILL BE THE SAME COLOR, MATERIAL, AND TEXTURE AS THE EXTERIOR WALLS OF THE PROPOSED BUILDING, INCLUDING A METAL GATE, PRIMED AND PAINTED, SUBJECT TO REVIEW AND APPROVAL BY THE CITY PLANNER.
4. THE SANITATION CONTAINER SCREENING WALLS, GATE, AND PAD SITE TO BE CONSTRUCTED IN ACCORDANCE WITH THE CITY OF ROCKWALL DESIGN SPECIFICATIONS, SUBJECT TO REVIEW AND APPROVAL BY THE SANITATION COORDINATOR.
5. THE PROPOSED LIGHTING FOR THE SUBJECT PROPERTY IS IN CONFORMANCE WITH THE LIGHTING AND GLARE REGULATIONS AS SPECIFIED WITHIN SECTION 41-106 OF THE CITY OF ROCKWALL CODE OF ORDINANCES.
6. THE SITE SHALL CONFORM TO THE CITY OF ROCKWALL STORM WATER MANAGEMENT ORDINANCE.
7. MARK FIRE LANE TO CITY SPECIFICATIONS. "NO PARKING FIRE LANE" EVERY 28' WHITE 4" LETTERS ON A 6" RED STRIPED BACKGROUND.

**GENERAL NOTES:**

1. PRIOR TO ANY CONSTRUCTION THE CONTRACTOR SHALL FAMILIARIZE HIMSELF WITH THE CONTRACT DOCUMENTS AND SPECIFICATIONS. THE PLANS INCLUDING ALL NOTES, THE CITY OF ROCKWALL SPECIFICATIONS AND ANY OTHER APPLICABLE STANDARDS OR SPECIFICATIONS RELEVANT TO THE PROPER COMPLETION OF THE WORK SPECIFIED. FAILURE ON THE PART OF THE CONTRACTOR TO FAMILIARIZE HIMSELF WITH ALL STANDARDS OR SPECIFICATIONS PERTAINING TO THIS WORK SHALL IN NO WAY RELIEVE THE CONTRACTOR OF RESPONSIBILITY FOR PERFORMING THE WORK IN ACCORDANCE WITH ALL SUCH APPLICABLE STANDARDS AND SPECIFICATIONS.
2. CONTRACTOR SHALL HAVE IN HIS POSSESSION, PRIOR TO CONSTRUCTION, ALL NECESSARY PERMITS, LICENSES, ETC. CONTRACTOR SHALL HAVE AT LEAST ONE SET OF APPROVED ENGINEERING PLANS AND SPECIFICATIONS ON-SITE AT ALL TIMES.
3. ALL WORK SHALL CONFORM TO THE CITY OF ROCKWALL SPECIFICATIONS, STANDARDS, AND DETAILS.
4. IF UNFORESEEN PROBLEMS OR CONFLICTS ARE ENCOUNTERED IN THE CONSTRUCTION, FOR WHICH AN IMMEDIATE SOLUTION IS NOT APPARENT, THE ENGINEER AND OWNER SHALL BE NOTIFIED IMMEDIATELY.
5. IT WILL BE THE RESPONSIBILITY OF EACH CONTRACTOR TO PROTECT ALL EXISTING PUBLIC AND PRIVATE UTILITIES THROUGHOUT THE CONSTRUCTION OF THIS PROJECT. CONTRACTOR SHALL CONTACT THE APPROPRIATE UTILITY COMPANIES FOR LINE LOCATIONS, PRIOR TO COMMENCEMENT OF CONSTRUCTION AND SHALL ASSUME FULL LIABILITY TO THOSE COMPANIES FOR ANY DAMAGES CAUSED TO THEIR FACILITIES.

LONE STAR GAS COMPANY (800) 344-8378  
 SOUTHWESTERN BELL TELEPHONE (800) 398-3440  
 TCI CABLE VISION METRO 727-8723  
 CITY OF ROCKWALL (972) 771-7709  
 IRRIGATION AND LANDSCAPING (972) 287-4309  
 TU ELECTRIC (972) 542-3325, METRO 554-1414

6. CONTRACTORS SHALL BE RESPONSIBLE FOR FIELD LOCATING EXISTING UTILITIES AND IMPROVEMENTS PRIOR TO CONSTRUCTION.
7. TRENCH SAFETY DESIGN WILL BE THE RESPONSIBILITY OF THE UTILITY CONTRACTOR. CONTRACTOR SHALL SUBMIT DESIGN TO THE CITY OF ROCKWALL ENGINEERING DEPARTMENT FOR REVIEW.



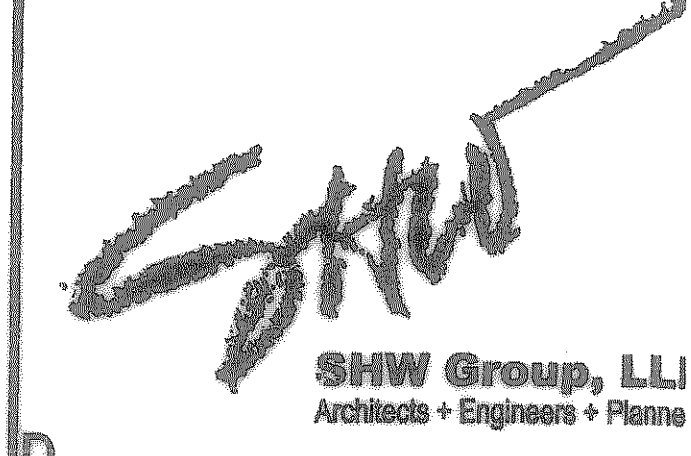
APPROVED FOR CONSTRUCTION

DEC 2 2 2004

City of Rockwall Engineering Dept  
 City Engineer: \_\_\_\_\_

**SITE PLAN**  
 SCALE: 1" = 30"

**GLENN ENGINEERING**  
 PHONE 972-717-5151 FAX 972-717-2176  
 105 DECKER COURT - SUITE 910 IRVING, TEXAS 75062



**Consultants:**

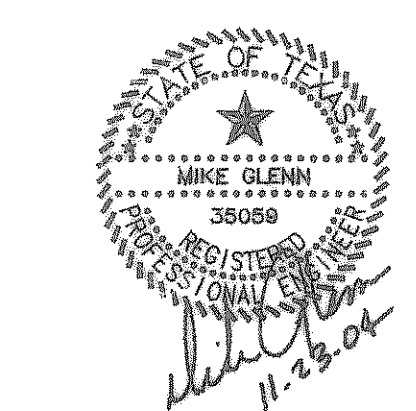
**CIVIL:**  
 GLENN ENGINEERING CORP.

**STRUCTURAL:**  
 SHW GROUP, LLP

**MEP:**  
 ESTES MCCLURE AND ASSOCIATES

**LANDSCAPING:**  
 GRUBBS RAMSEY

Final Plans for Bidding and Construction



**Rockwall Independent School District**

**AMANDA ROCHELLE ELEMENTARY ADDITIONS AND RENOVATIONS**

**ROCKWALL, TEXAS**

Project Number: 1441.04.018  
 Drawing Date: 08/31/2004  
 Drawn: R.HOWMAN  
 Checked: RAH  
 Scale: AS SHOWN  
 ACAD File: ROCHELLE-ENG-ADD1-REV2  
 © 2004 SHW Group, LLP

**Revisions:**

1	10/12/2004	CITY COMMENTS
2	11/8/2004	CITY COMMENTS
3	11/23/2004	CITY COMMENTS

Sheet Title:  
**SITE PLAN**

These Drawings have been modified to conform to the Construction Records.  
 Glenn Engineering Corporation  
 By: \_\_\_\_\_ Date: \_\_\_\_\_

**CS1.01**