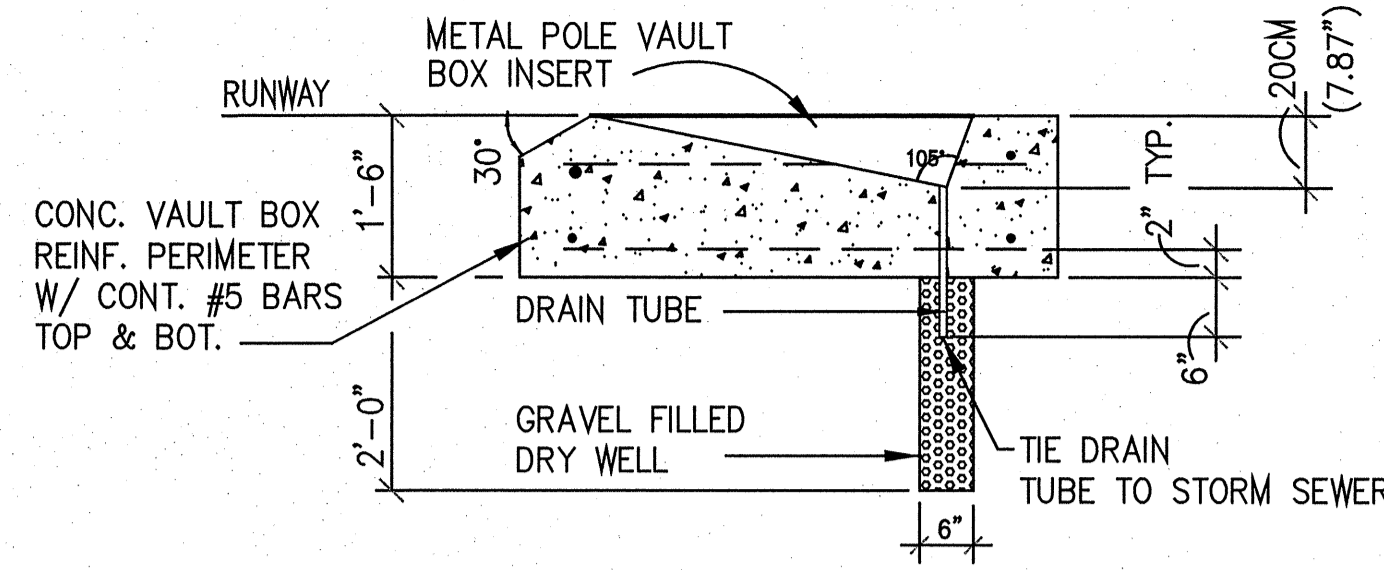


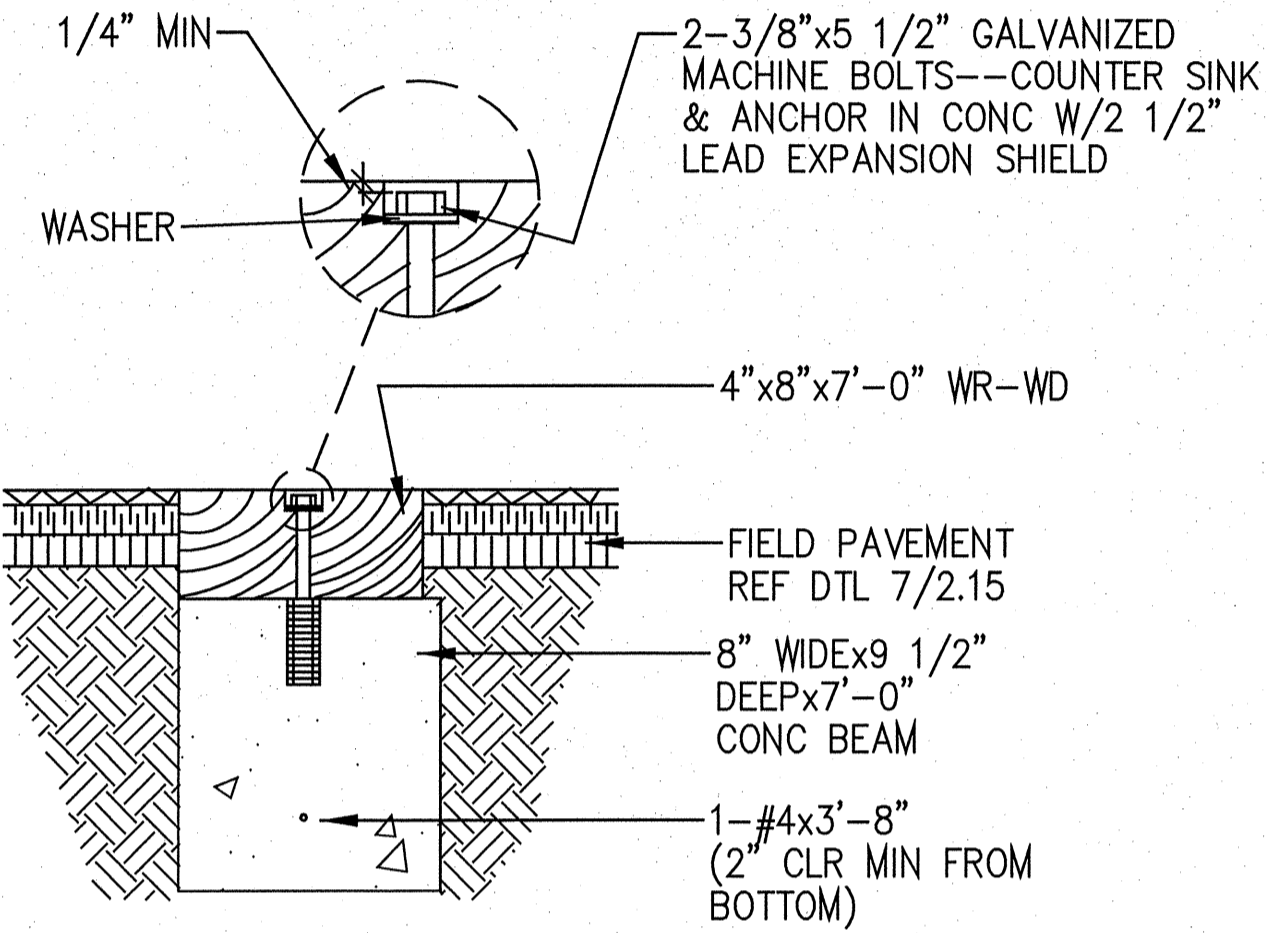
PLAN



SECTION

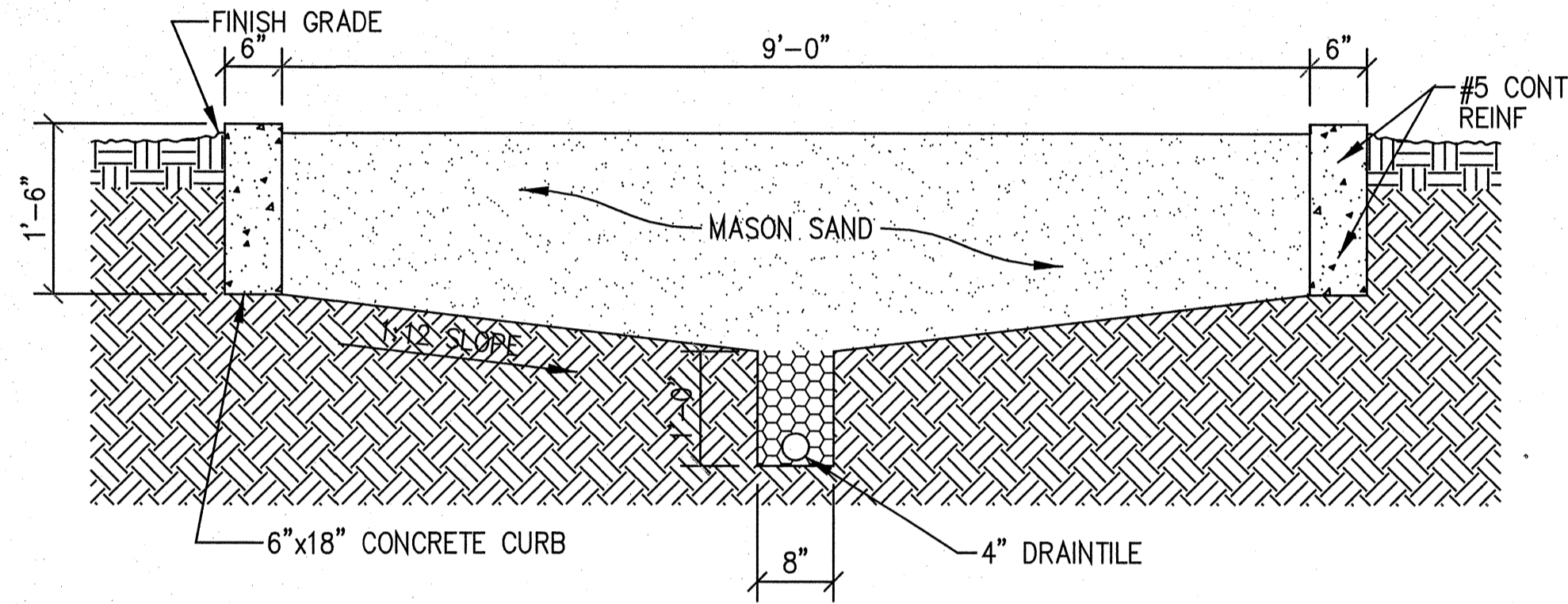
POLE VAULT BOX

NTS



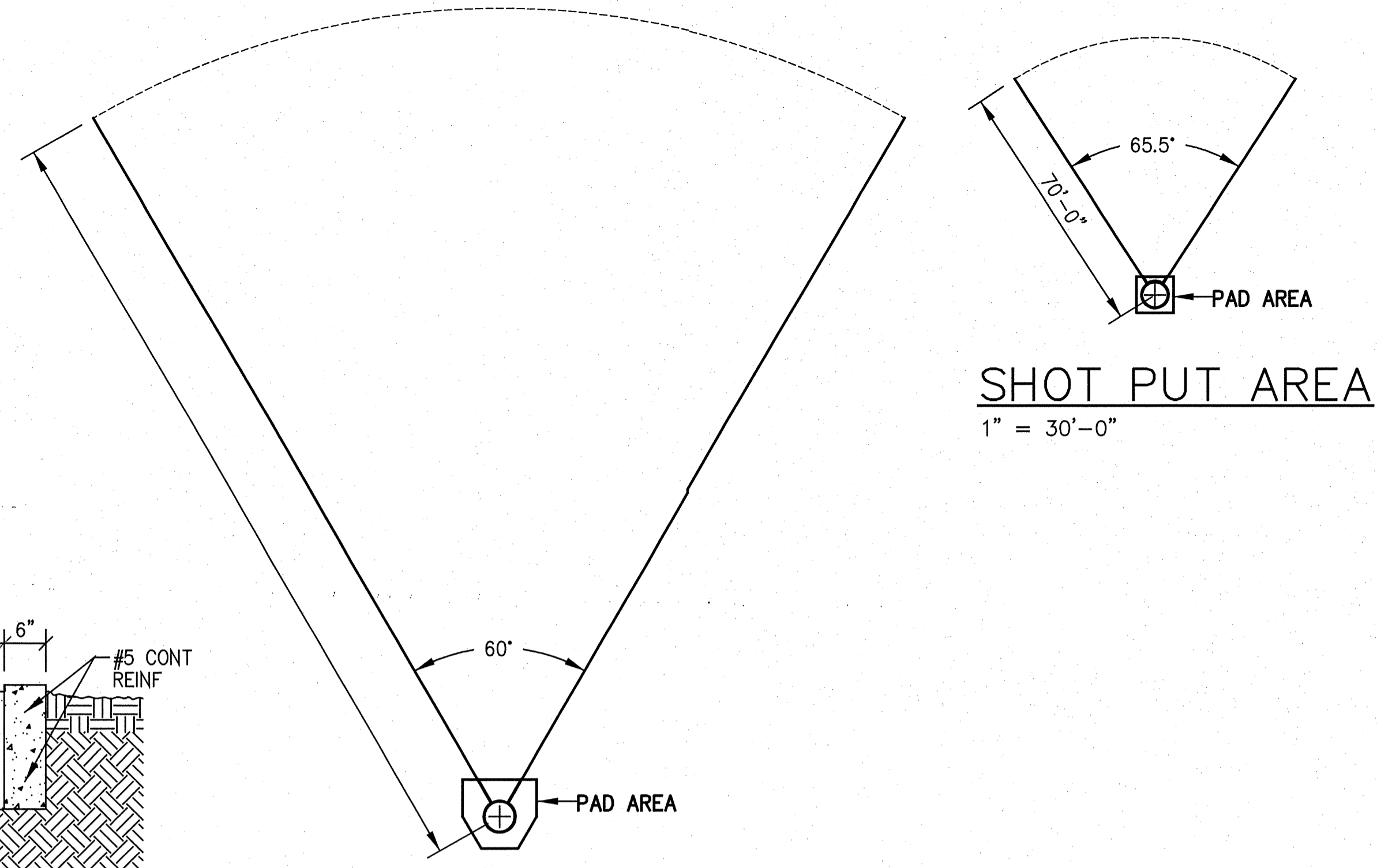
TAKE-OFF BOARD

NTS



LONG JUMP/TRIPLE JUMP PIT SECTION

NTS

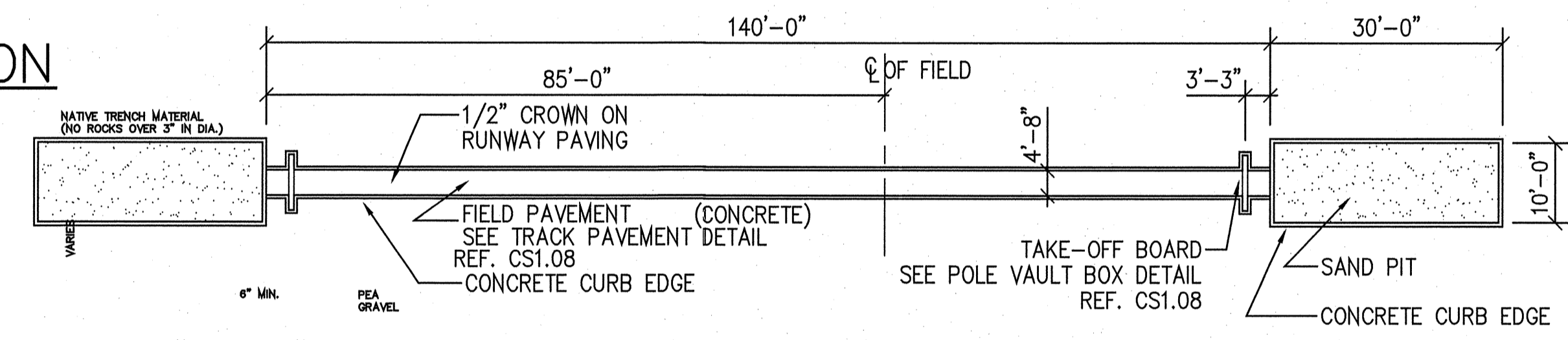


SHOT PUT AREA

1" = 30'-0"

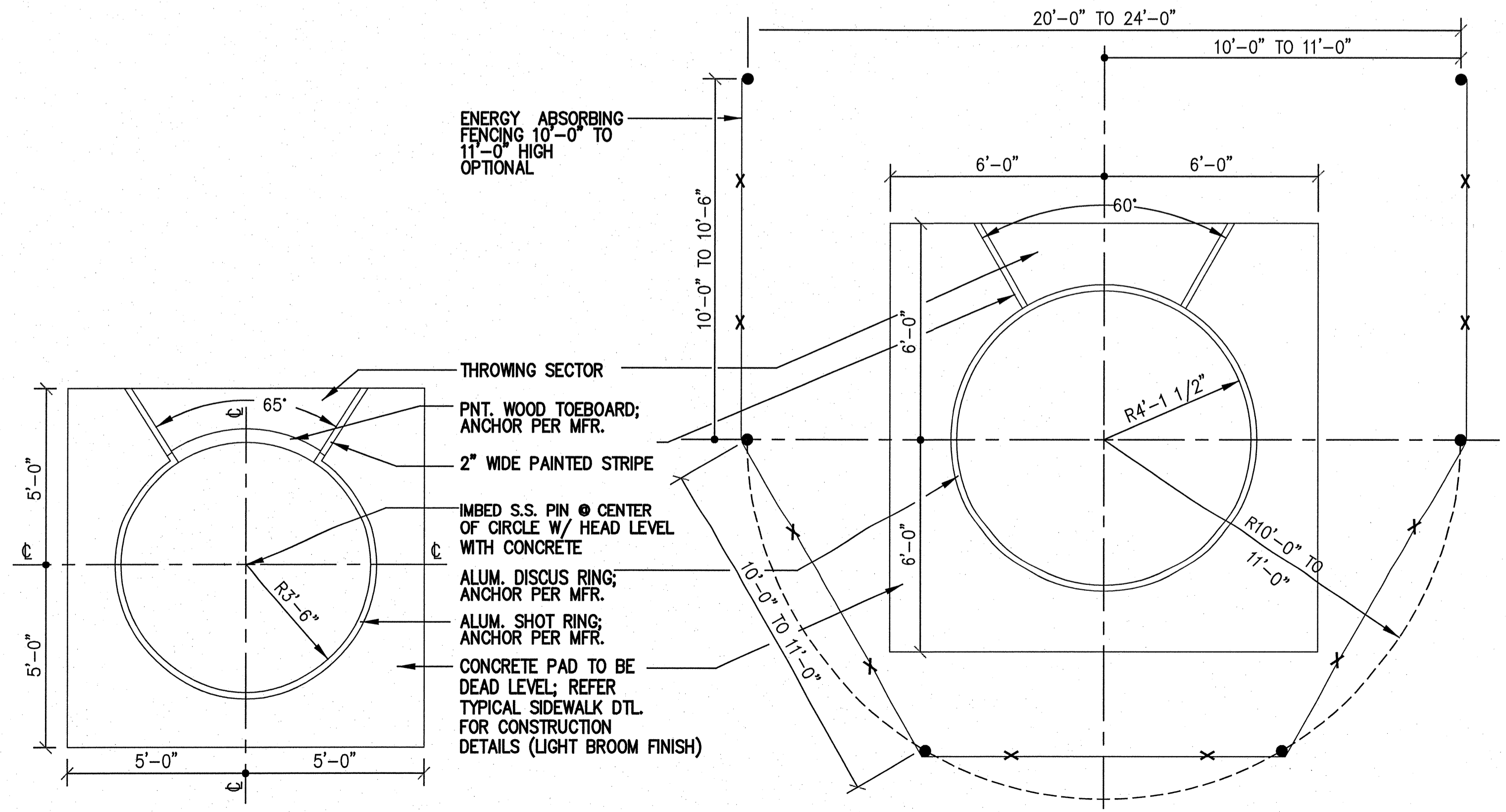
DISCUS AREA

1" = 30'-0"



LONG JUMP RUNWAY

NTS

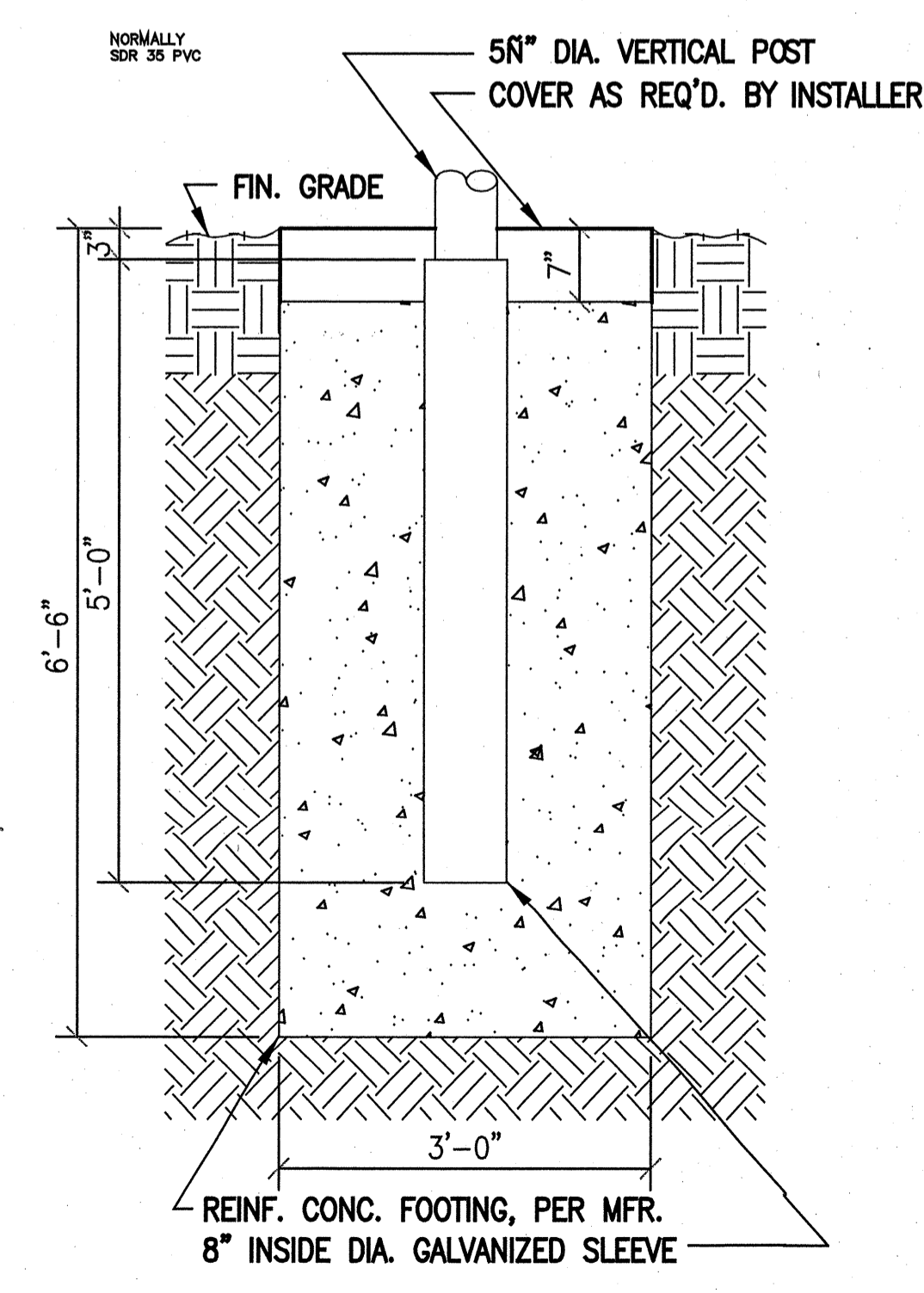


SHOT PUT PAD

3/8" = 1'-0"

DISCUS PAD

3/8" = 1'-0"



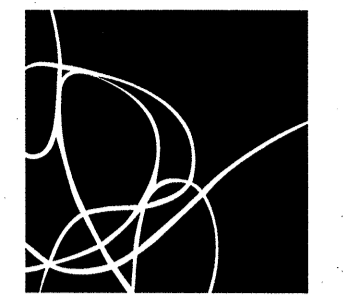
GOAL POST

3/4" = 1'-0"

RECORD DRAWING
 This is to certify that changes and corrections have been made to conform to the contractor's record of this project.
 Signed: *J. Glenn* Date: 8.11.09
 Glenn Engineering Corporation

EVENTS DETAILS

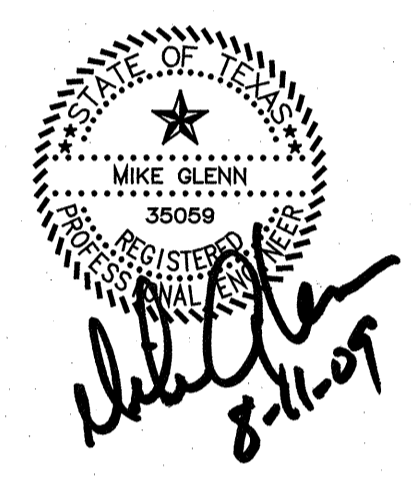
SCALE: AS SHOWN



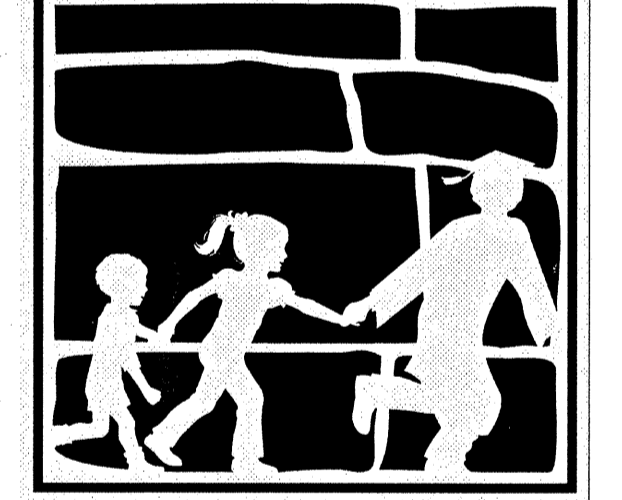
SHW GROUP
 ARCHITECTS | ENGINEERS | PLANNERS

- CIVIL: GLENN ENGINEERING, INC.
- STRUCTURAL: SHW GROUP LLP
- MEP: ESTES, McCLURE & ASSOCIATES
- LANDSCAPING: RAMSEY LANDSCAPE ARCHITECTS
- FOOD SERVICE: JMK DESIGNS

FINAL PLANS FOR PERMITTING AND CONSTRUCTION



Rockwall ISD



ROCKWALL HIGH SCHOOL
 ROCKWALL, TEXAS

CHECKED:
 File:
 © 2008 SHW Group LLP
 ISSUE: 5/27/2008

Revisions:

1	ADDENDA #1 - MARCH 17, 2008
2	ADDENDA #2 - MARCH 25, 2008
3	ADDENDA #3 - APRIL 1, 2008
4	CITY REVIEW COMMENTS - APRIL 22, 2008
5	CITY REVIEW COMMENTS - SEPT. 09, 2008
6	RECORD SET - MARCH 04, 2009
7	REVISED RECORD SET - JUNE 04, 2009

Sheet Title:
EVENTS DETAILS

CT1.02

Plotted: Aug 11, 2009, 1:44 PM by user: rick - Saved: 8/11/2009 by user: rick
 \\robertp-cv\server\cadd\highschool\2007\ADDITIONS\ROCKWALL-HS-APP-REV6.dwg