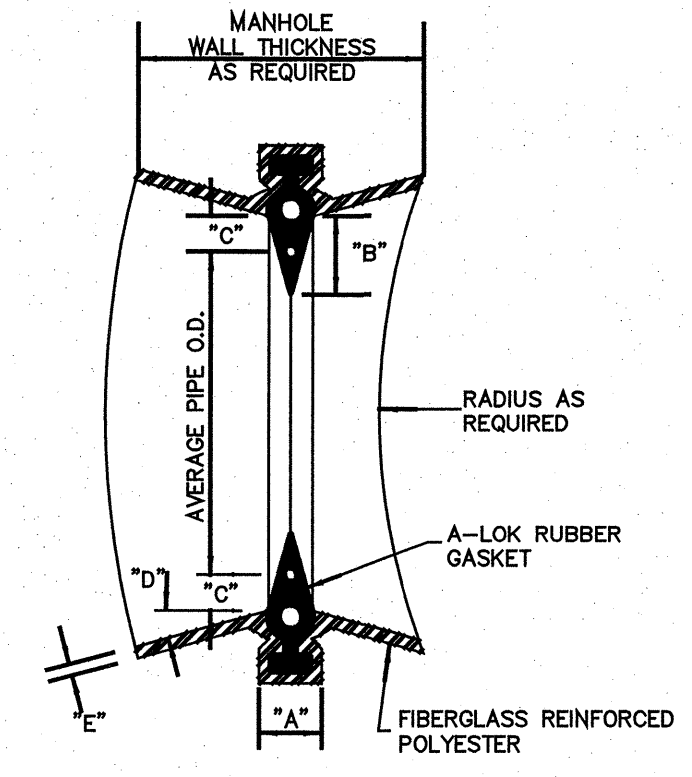


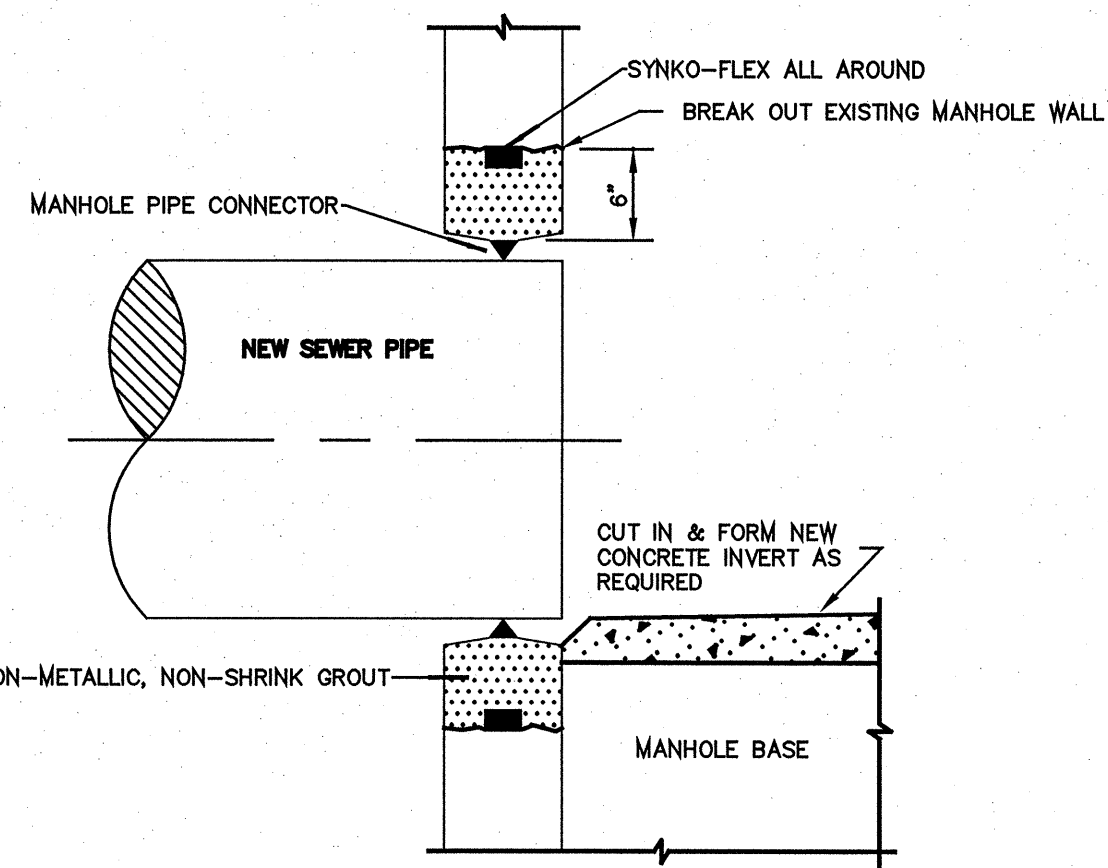
**SANITARY SEWER DOUBLE CLEAN-OUT**  
SINGLE/DOUBLE

DIMENSION FOR MANHOLE PIPE CONNECTOR A.S.T.M. 0-923

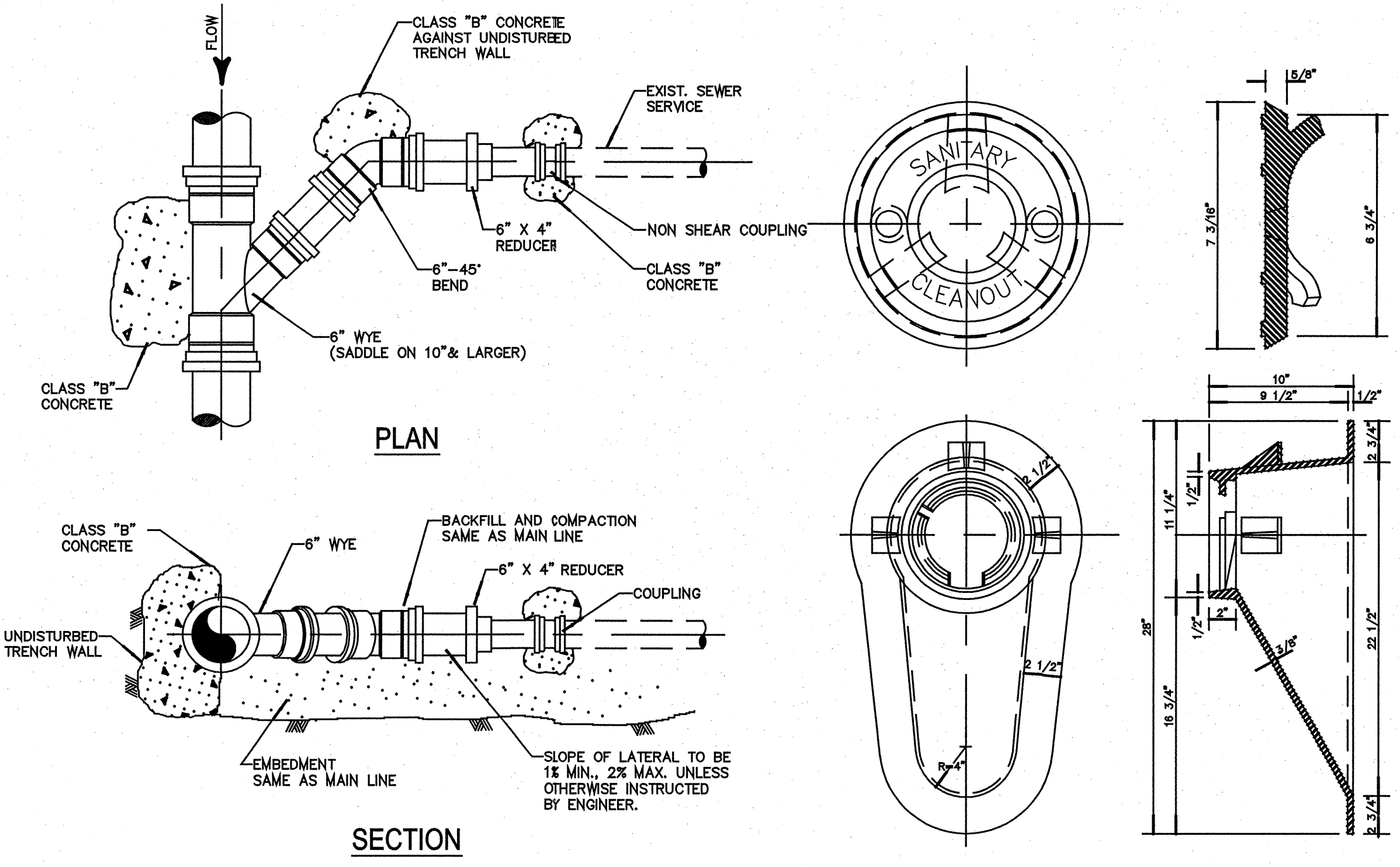
PIPE SIZE	A	B	C	D	E
4"-6"	1 1/2"	7/8"	3/8"	10"	0.10±
8"-24"	2 1/8"	1 3/8"	5/8"	10"	0.10±
24"-60"	2 3/8"	1 3/4"	3/4"	10"	0.25±



**MANHOLE PIPE CONNECTOR**  
(FOR ALL CAST-IN-PLACE MANHOLES)

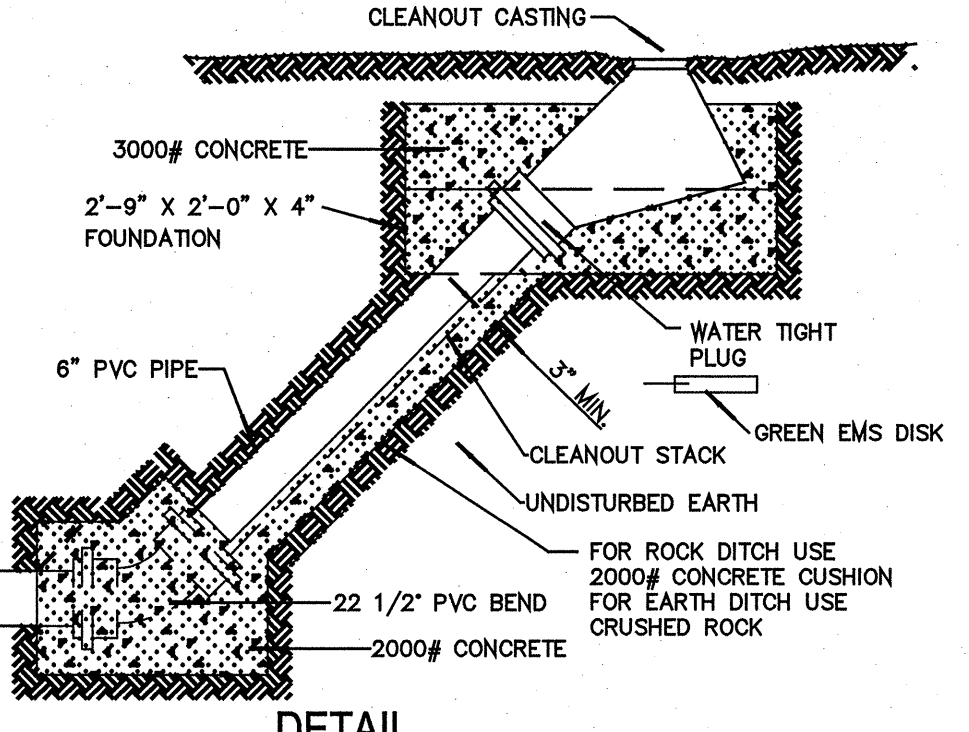


**PIPE CONNECTION TO EXISTING MANHOLE AND JUNCTION BOX**

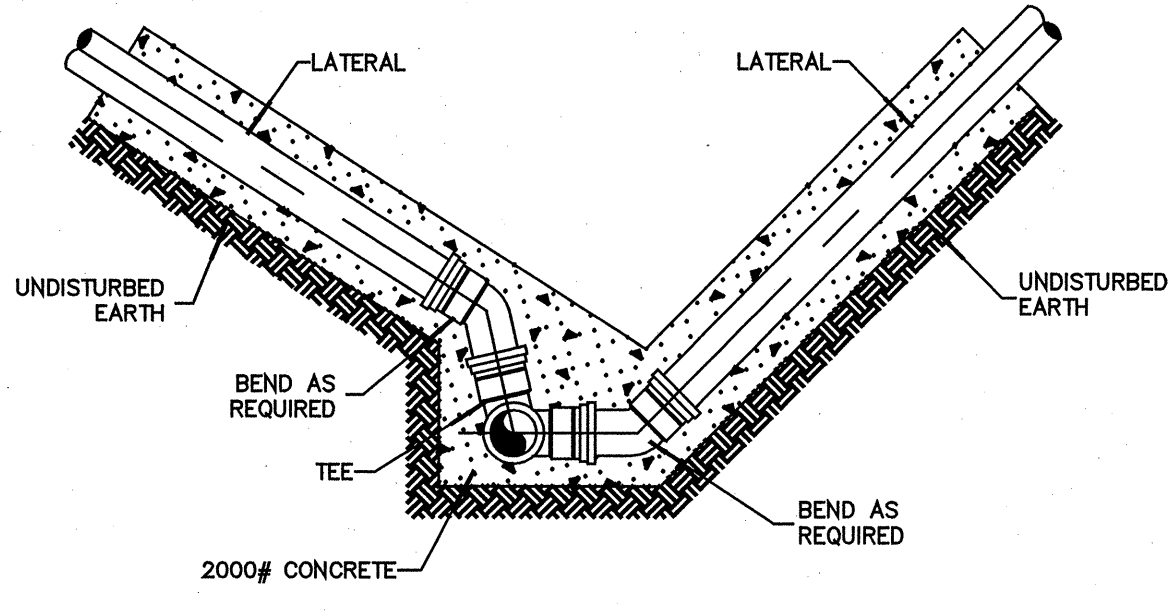


**DETAIL SANITARY SEWER SERVICE**  
3/4"=1'-0"

**CLEANOUT FRAME AND COVER DETAIL**

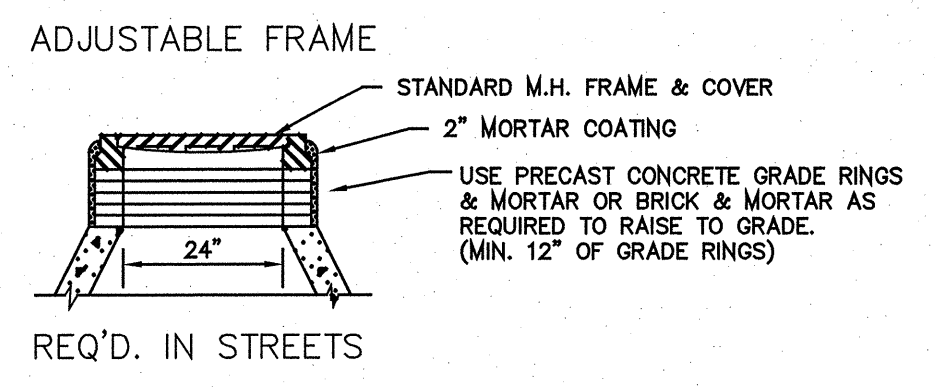


**DETAIL SANITARY SEWER CLEANOUT**

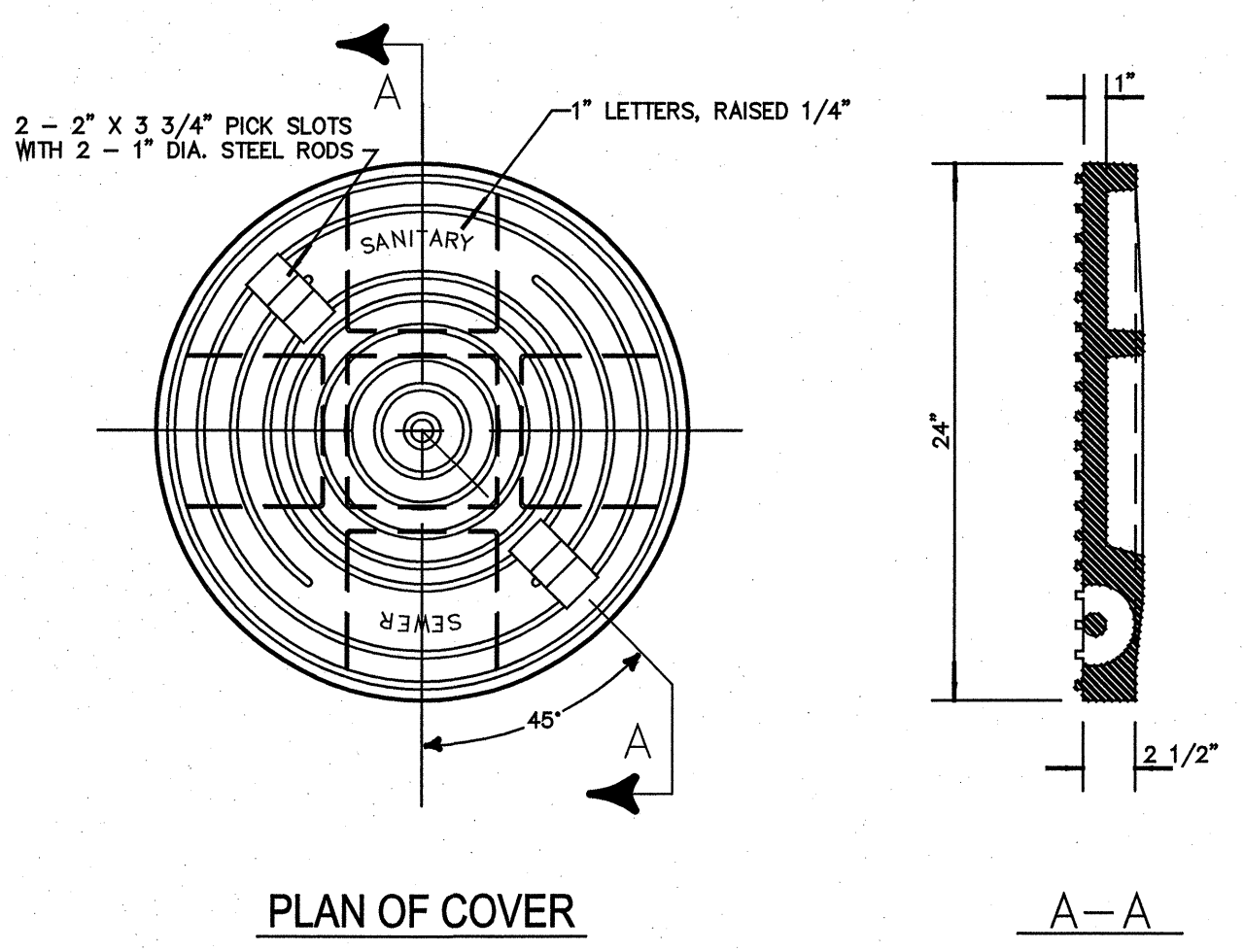


**LATERAL CONNECTION FOR DITCHES WITH SLOPING SIDES USING PVC PIPE**

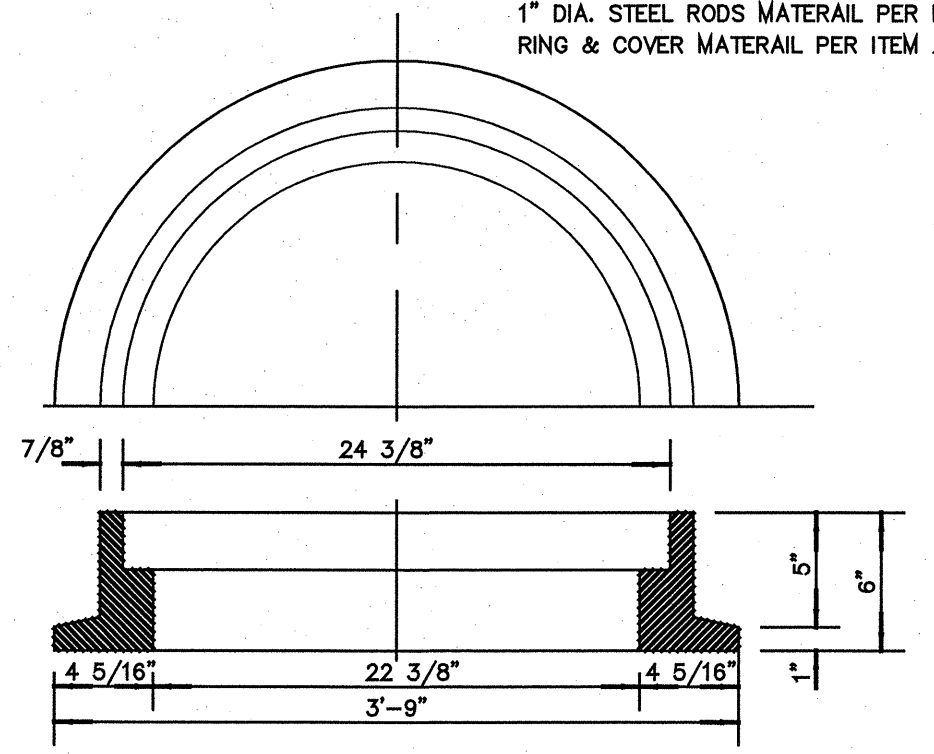
NOTE:  
STRUCTURAL CONCRETE TO BE 4,200 P.S.I. MINIMUM STRENGTH



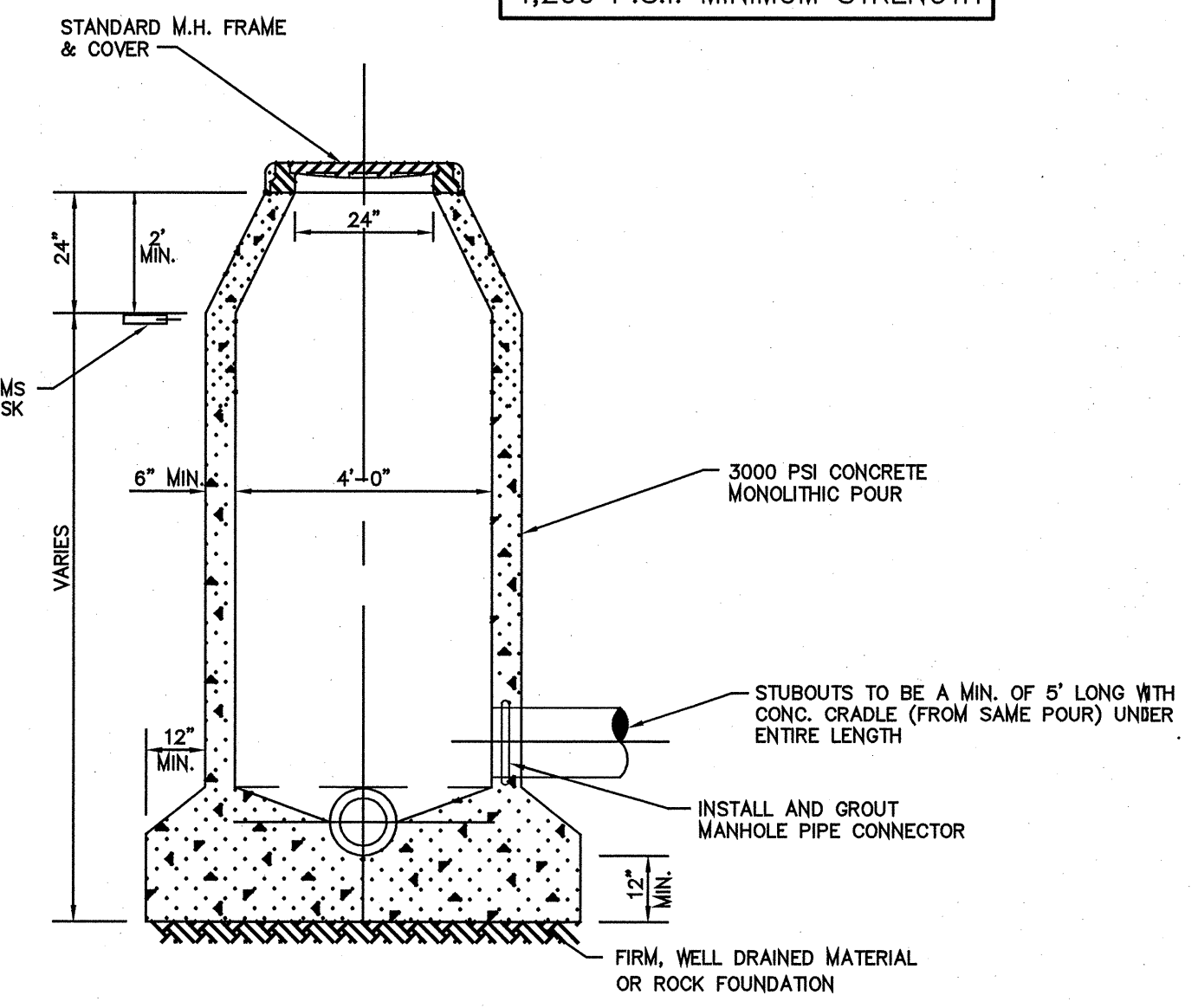
**ADJUSTABLE FRAME**  
REQ'D. IN STREETS



**PLAN OF COVER**

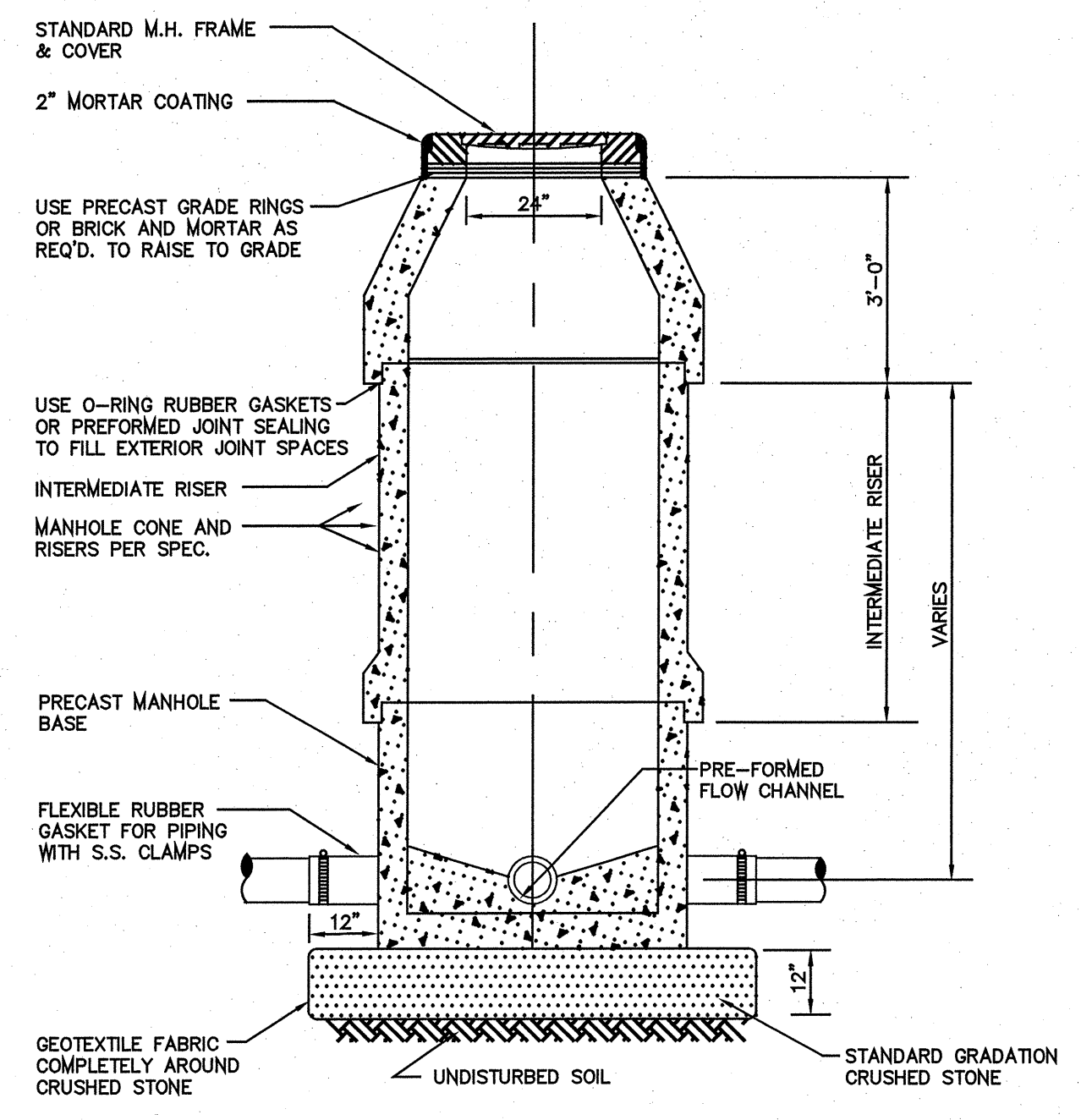


**MANHOLE FRAME & COVER DETAIL**



**STANDARD CAST-IN-PLACE MANHOLE**

NOTE:  
FOR TYPE "S" MANHOLES USE PRESSURE TYPE MANHOLE FRAME AND COVER. DO NOT USE GRADE RINGS. SET ANCHOR BOLTS DIRECTLY IN MANHOLE CONE.



**STANDARD PRECAST MANHOLE**

NOTE:  
FOR TYPE "S" MANHOLES USE PRESSURE TYPE MANHOLE FRAME AND COVER. DO NOT USE GRADE RINGS. SET ANCHOR BOLTS DIRECTLY IN MANHOLE CONE.

NOTE:  
THE BASS AND HAYES MANHOLE FRAME AND COVER, NO. 380-24P IS ACCEPTABLE.



CIVIL:  
GLENN ENGINEERING, INC.

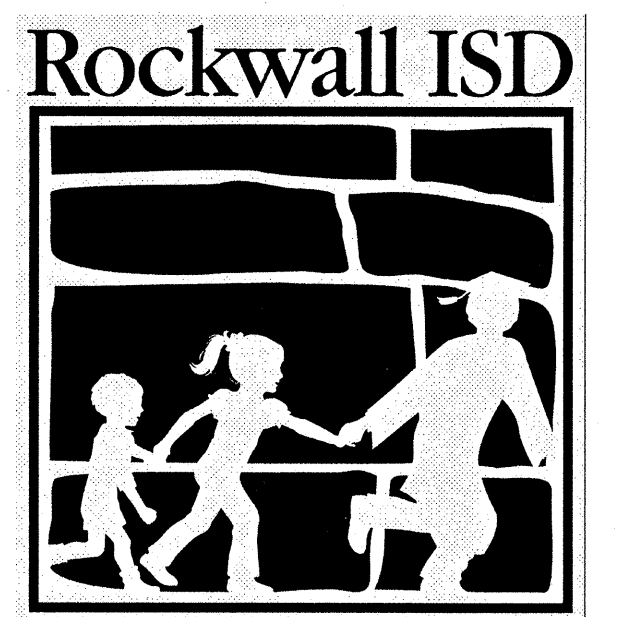
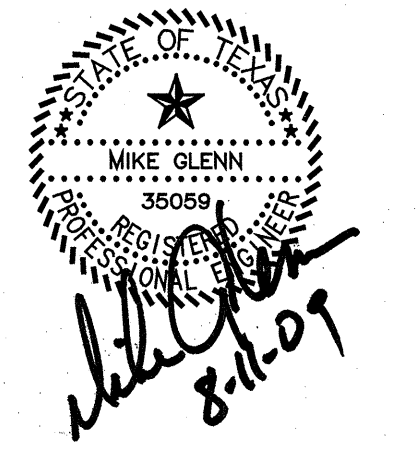
STRUCTURAL:  
SHW GROUP LLP

MEP:  
ESTES, McCLURE & ASSOCIATES

LANDSCAPING:  
RAMSEY LANDSCAPE ARCHITECTS

FOOD SERVICE:  
JMK DESIGNS

FINAL PLANS FOR PERMITTING AND CONSTRUCTION



**ROCKWALL HIGH SCHOOL**  
ROCKWALL, TEXAS

CHECKED:  
File:  
© 2008 SHW Group LLP

ISSUE: 5/27/2008

Revisions:

1	ADDENDA #1 - MARCH 17, 2008
2	ADDENDA #2 - MARCH 25, 2008
3	ADDENDA #3 - APRIL 1, 2008
4	CITY REVIEW COMMENTS - APRIL 22, 2008
5	CITY REVIEW COMMENTS - SEPT. 09, 2008
6	RECORD SET - MARCH 04, 2009
7	REVISED RECORD SET - JUNE 04, 2009

**RECORD DRAWING**  
This is to certify that changes and corrections have been made to conform to the contractor's record of this project.  
Signed: *Glenn* 8-11-09  
Date: 8-11-09  
Glenn Engineering Corporation

**SANITARY DETAILS**  
SCALE: AS SHOWN

**CU1.05**  
SHW Project: 4107.049.00

Plotted: Aug 11, 2008, 1:58 PM by user: rick  
 (rockwall-isd\rockwall-high-school\007\_ADDITION\ROCKWALL-HS-DDD-REV16.dwg)