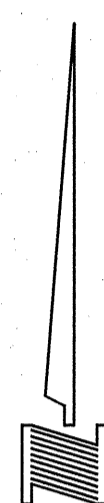


HENRY S. MILLER
VOL. 105, PG. 121

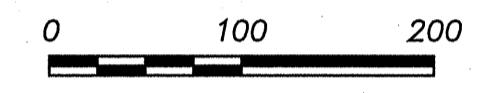
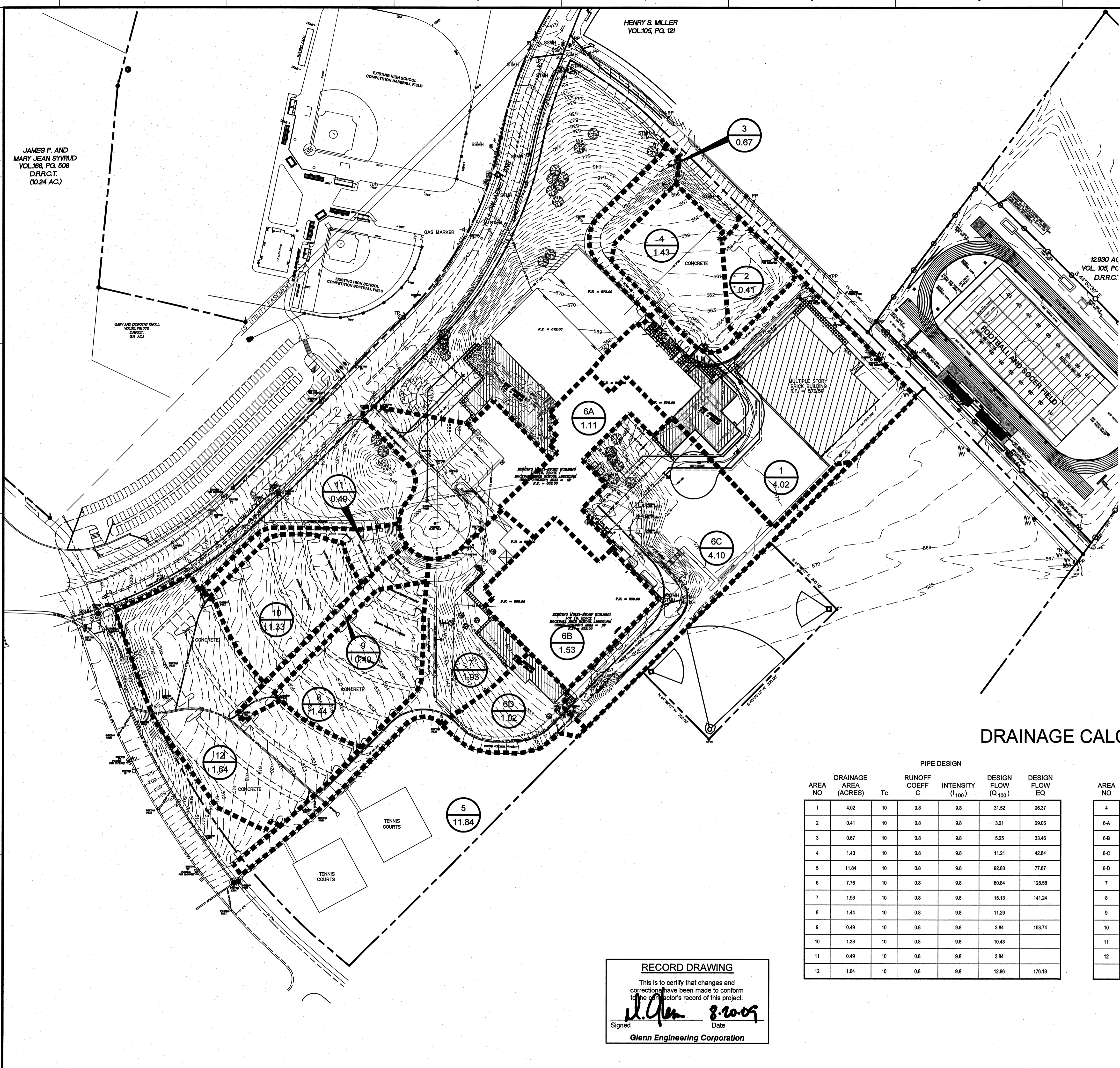
JAMES P. AND
MARY JEAN SYRUD
VOL. 168, PG. 508
D.R.R.C.T.
(10.24 AC.)

LEGEND

- = PROPOSED DRAINAGE DIVIDE
- = PROPOSED DRAINAGE AREA
- = PROPOSED NUMBER OF ACRES
- = PROPOSED CONTOUR
- = PROPOSED FINISH FLOOR
- = PROPOSED STORM SEWER
- = DIRECTION OF FLOW
- = EXISTING CONTOUR
- = EXISTING STORM SEWER



Scale 1" = 100'

CIVIL:
GLENN ENGINEERING, INC.

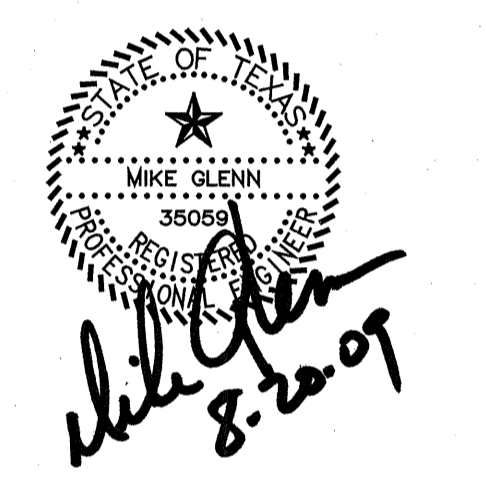
STRUCTURAL:
SHW GROUP LLP

MEP:
ESTES, McCLURE & ASSOCIATES

LANDSCAPING:
RAMSEY LANDSCAPE ARCHITECTS

FOOD SERVICE:
JMK DESIGNS

FINAL PLANS FOR PERMITTING AND CONSTRUCTION



Rockwall ISD



**ROCKWALL
HIGH SCHOOL
ROCKWALL, TEXAS**

DRAINAGE CALCULATIONS

PIPE DESIGN

AREA NO	DRAINAGE AREA (ACRES)	T _c	RUNOFF COEFF C	INTENSITY (I ₁₀₀)	DESIGN FLOW (Q ₁₀₀)	DESIGN FLOW EQ
1	4.02	10	0.8	9.8	31.52	28.37
2	0.41	10	0.8	9.8	3.21	29.06
3	0.67	10	0.8	9.8	5.25	33.46
4	1.43	10	0.8	9.8	11.21	42.84
5	11.84	10	0.8	9.8	92.83	77.87
6	7.76	10	0.8	9.8	60.84	128.58
7	1.93	10	0.8	9.8	15.13	141.24
8	1.44	10	0.8	9.8	11.29	
9	0.49	10	0.8	9.8	3.84	153.74
10	1.33	10	0.8	9.8	10.43	
11	0.49	10	0.8	9.8	3.84	
12	1.64	10	0.8	9.8	12.86	178.18

INLET DESIGN

AREA NO	DRAINAGE AREA (ACRES)	T _c	RUNOFF COEFF C	INTENSITY (I ₁₀₀)	DESIGN FLOW (Q ₁₀₀)	DESIGN FLOW EQ
4	1.43	10	0.8	9.8	11.21	11.21
6-A	1.11	10	0.8	9.8	8.70	8.70
6-B	1.53	10	0.8	9.8	12.00	20.70
6-C	4.10	10	0.8	9.8	32.14	52.84
6-D	0.02	10	0.8	9.8	8.00	60.84
7	1.93	10	0.8	9.8	15.13	75.97
8	1.44	10	0.8	9.8	11.29	
9	0.49	10	0.8	9.8	3.84	15.13
10	1.33	10	0.8	9.8	10.43	
11	0.49	10	0.8	9.8	3.84	14.27
12	1.64	10	0.8	9.8	12.86	27.13

RECORD DRAWING

This is to certify that changes and corrections have been made to conform to the contractor's record of this project.

Glenn 8-20-09
Signed Date
Glenn Engineering Corporation

NEW DRAINAGE AREA MAP
SCALE: 1"=100'

CHECKED:
File:
© 2008 SHW Group LLP

ISSUE: 5/27/2008

Revisions:

- ADDENDA #1 - MARCH 17, 2008
- ADDENDA #2 - MARCH 25, 2008
- ADDENDA #3 - APRIL 1, 2008
- CITY REVIEW COMMENTS - APRIL 22, 2008
- CITY REVIEW COMMENTS - SEPT. 09, 2008
- RECORD SET - MARCH 04, 2009
- REVISED RECORD SET - JUNE 04, 2009

Sheet Title:
**NEW
DRAINAGE
AREA MAP**

CG 1.09

Plotted: Aug 20, 2009, 10:41 AM by user: reagan - Saved: 8/20/2009 by user: reagan
 W:\robertpic-dm\ROCKWALL\High-School\2007 ADDITION\ROCKWALL-HS-ADD-REV6.dwg