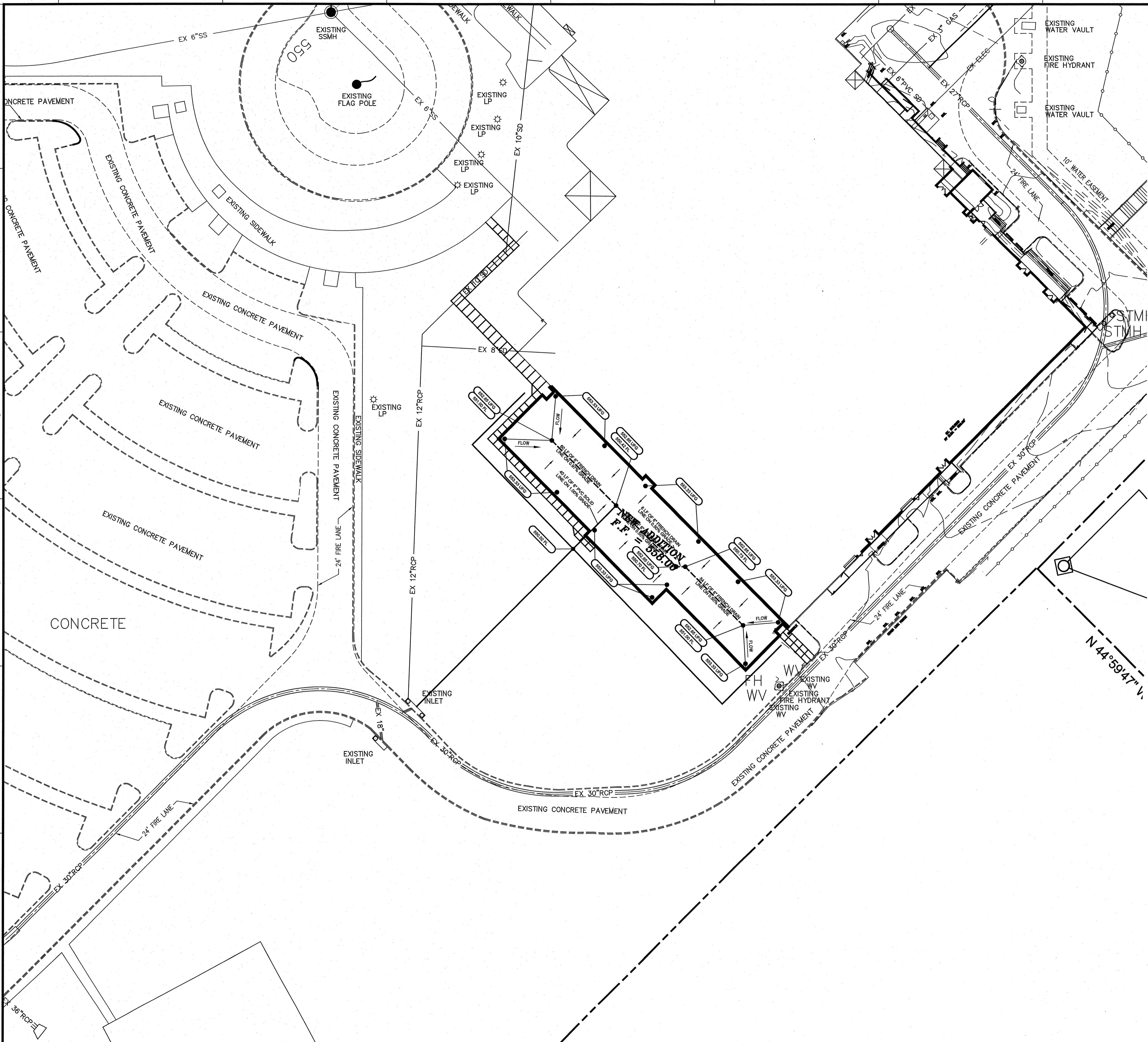
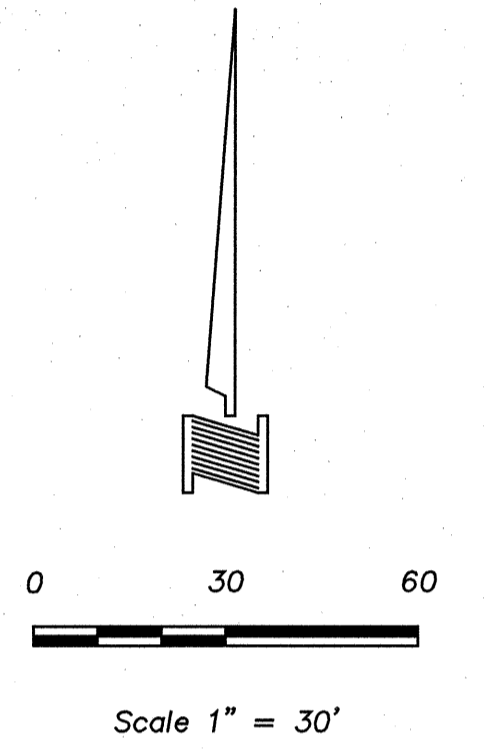


Plotted: Aug 20, 2008, 10:37 AM by user: reagan  
 \\roberpic-shw\rock\ISD\High-School\2007 ADDITIONS\ROCKWALL-HS-ADD-REV.dwg



- GENERAL NOTES**
- All work shall be in accordance with these plans and City of Heath Standards and Specifications.
  - All proposed contours are approximate. Proposed spot elevations and designated gradient are to be used in the event of any discrepancies.
  - The General Contractor and all subcontractors shall verify the suitability of all existing and proposed site conditions including grades and dimensions before commencement of any construction. In the event of any conflict and prior to commencement of any construction, immediately notify Engineer. Minor adjustments of finished grade to accomplish spot drainage are acceptable.
  - Positive drainage shall be provided away from all foundations and structures.
  - All spot elevations are top of pavement or gutter. To obtain top of curb elevation, add 0.5 feet.
  - Ground shall be scarified prior to placing any fill.
  - Fill shall be placed in accordance with the geotechnical investigation and soils report recommendations.
  - Any excess excavation shall be distributed as directed by the Owner or the Engineer.
  - It is the responsibility of the Contractor to locate and/or establish a benchmark prior to construction and maintain the benchmark during construction.
  - The locations of all utilities indicated on the plans are taken from available public records. The exact location and depth of all utilities indicated must be determined by the Contractor. It shall be the duty of the Contractor to ascertain whether any additional facilities other than those shown on the plans may be present.
  - It shall be the responsibility of the Contractor to protect all existing utilities in the construction of this project. Any utilities damaged during the construction of this project shall be repaired at the Contractor's expense.



**LEGEND**

	= PROPOSED TOP OF CURB	
	= PROPOSED TOP OF PAVEMENT	
	= PROPOSED TOP OF INLET	
	= PROPOSED TOP OF INLET	
	= PROPOSED CONTOUR	
	<b>FF=558.00</b> = PROPOSED FINISH FLOOR	
	= PROPOSED LANDSCAPE BERM	
	= DIRECTION OF FLOW	
		= EXISTING SHOT
		= EXISTING CONTOUR

**RECORD DRAWING**

This is to certify that changes and corrections have been made to conform to the contractor's record of this project.

*[Signature]* *[Date]*  
 Signed Date  
 Glenn Engineering Corporation

**SOUTH UNDERFLOOR GRADING PLAN**  
 SCALE: 1"=30'



**CIVIL:**  
 GLENN ENGINEERING, INC.

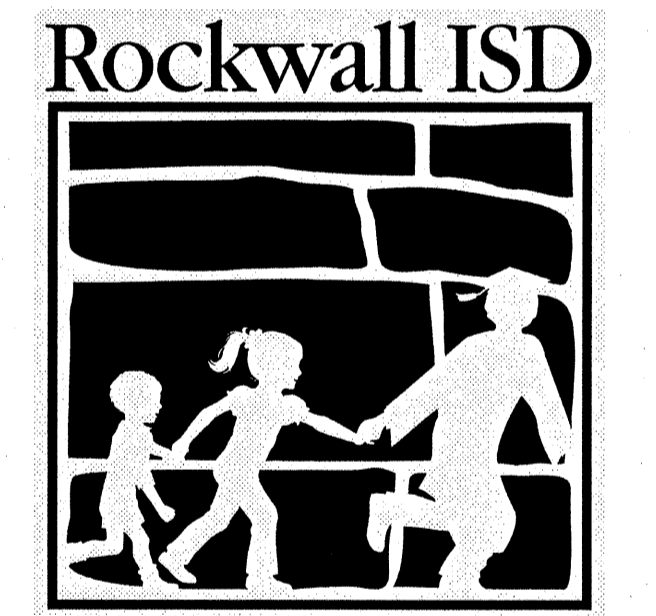
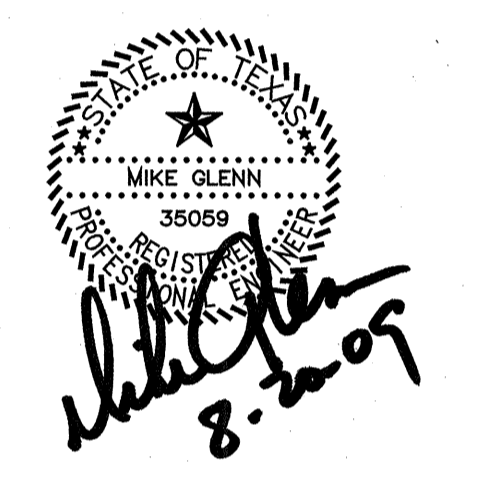
**STRUCTURAL:**  
 SHW GROUP LLP

**MEP:**  
 ESTES, McCLURE & ASSOCIATES

**LANDSCAPING:**  
 RAMSEY LANDSCAPE ARCHITECTS

**FOOD SERVICE:**  
 JMK DESIGNS

FINAL PLANS FOR PERMITTING AND CONSTRUCTION



**ROCKWALL HIGH SCHOOL**  
 ROCKWALL, TEXAS

CHECKED:  
 File:  
 © 2008 SHW Group LLP

ISSUE: 5/27/2008

**Revisions:**

1	ADDENDA #1 - MARCH 17, 2008
2	ADDENDA #2 - MARCH 25, 2008
3	ADDENDA #3 - APRIL 1, 2008
4	CITY REVIEW COMMENTS - APRIL 22, 2008
5	CITY REVIEW COMMENTS - SEPT. 09, 2008
6	RECORD SET - MARCH 04, 2009
7	REVISED RECORD SET - JUNE 04, 2009

Sheet Title:  
**SOUTH UNDERFLOOR GRADING PLAN**

**CG1.08**  
 SHW Project: 4107.049.00