

1

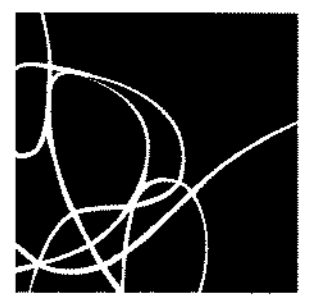
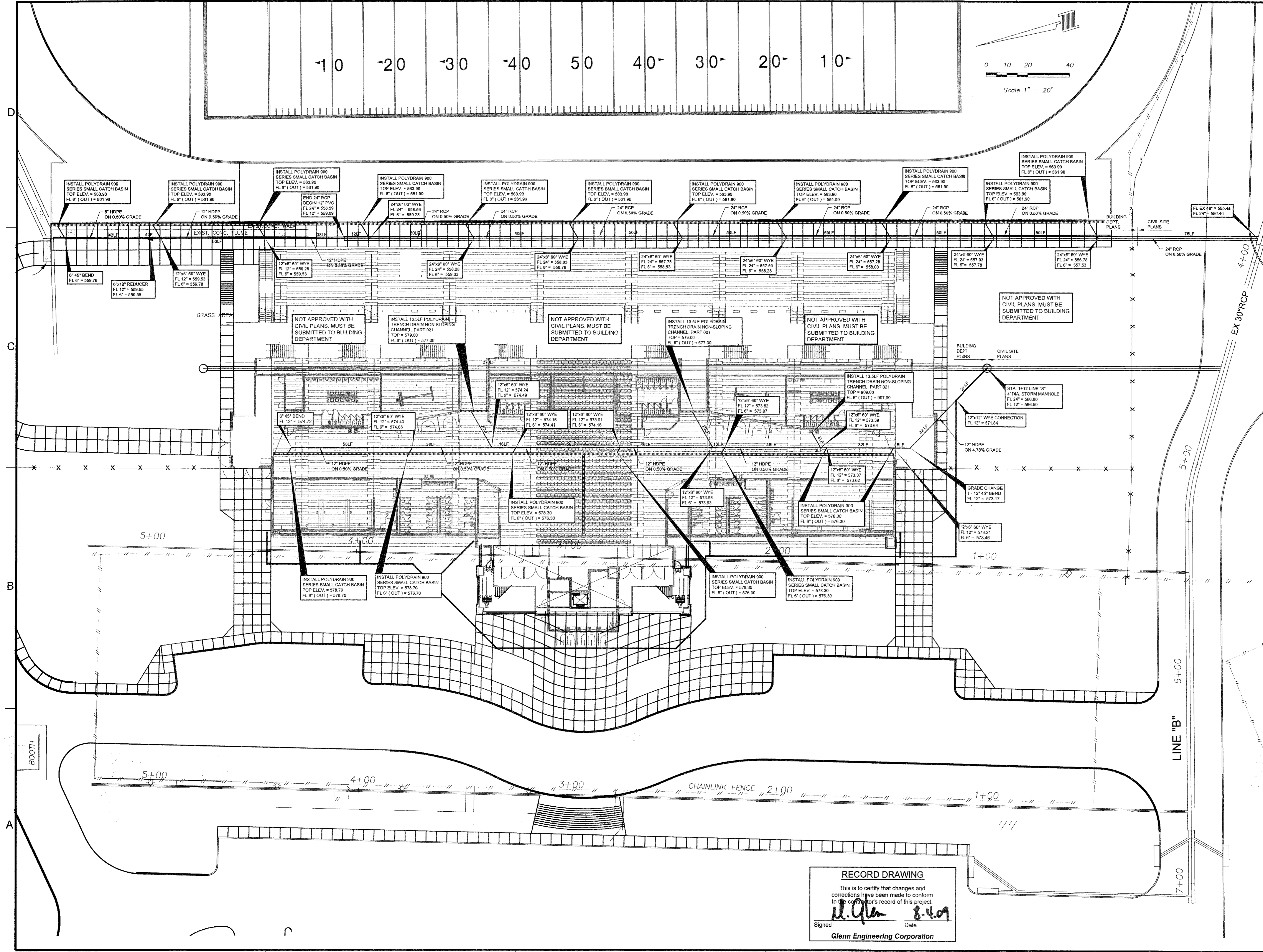
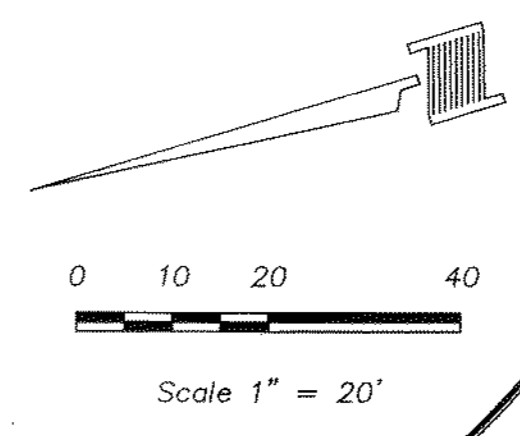
2

3

4

5

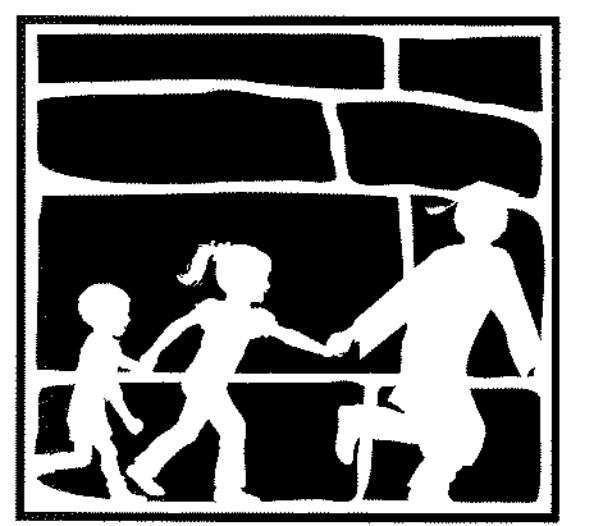
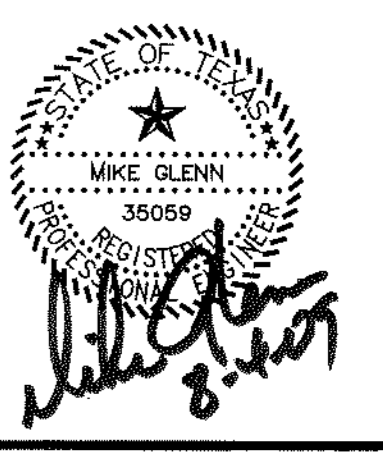
-10 -20 -30 -40 50 40 30 20 10



SHW GROUP
ARCHITECTS | ENGINEERS | PLANNERS

Consultants:
 CIVIL:
 GLENN ENGINEERING CORP
 STRUCTURAL:
 SHW GROUP, LLP
 MEP:
 ESTES McCURE & ASSOCIATES, INC.
 FOOD SERVICE:
 JMK FOODSERVICE CONSULTING & DESIGN, LLC
 LANDSCAPING:
 RAMSEY LANDSCAPE ARCHITECTS, LLP

Final Plans for Bidding and Construction



Rockwall
INDEPENDENT SCHOOL DISTRICT
WILKERSON SANDERS
STADIUM RENOVATIONS
ROCKWALL, TEXAS

Project Number: 4107.048.00
 Drawing Date: 05/29/2008
 Drawn:
 Checked:
 Scale:
 ACAD File: 2008WILKERSON-SANDERS-DETAIL
 © 2008 SHW Group, LLP

Revisions:

1	11/05/08	CITY REVISIONS
2	12/02/08	CITY REVISIONS #2
3	12/12/08	CITY REVISIONS #3
4	12/16/08	CITY REVISIONS #4
5	01/26/09	CITY REVISIONS #5
6	08/03/09	RECORD SET

Sheet Title:
UNDERSTANDS
DRAINAGE
PLAN

RECORD DRAWING
 This is to certify that changes and corrections have been made to conform to the contractor's record of this project.
 Signed: *U. Glenn* Date: 8.4.09
 Glenn Engineering Corporation

CU 1.04

Aug 03, 2009 - 2:17pm User: Rick
 C:\Robert\p\c\office\ROCKWALL\TULEV\2008 ADDITIONS\IBD SET\2008 WILKERSON-SANDERS STADIUM\2008WILKERSON-SANDERS-DETAILS.dwg