

1

2

3

4

5



SHW GROUP
ARCHITECTS | ENGINEERS | PLANNERS

Consultants:

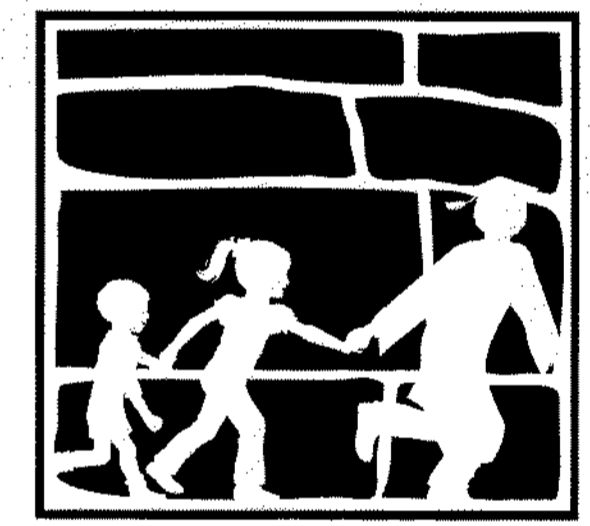
CIVIL:
GLENN ENGINEERING CORP

STRUCTURAL:
SHW GROUP, LLP

MEP:
ESTES McCLURE &
ASSOCIATES, INC.
FOOD SERVICE:
JMK FOODSERVICE
CONSULTING & DESIGN, LLC

LANDSCAPING:
RAMSEY LANDSCAPE
ARCHITECTS, LLP

Final Plans for Bidding and Construction



Rockwall
INDEPENDENT SCHOOL DISTRICT

WILKERSON SANDERS
STADIUM RENOVATIONS
ROCKWALL, TEXAS

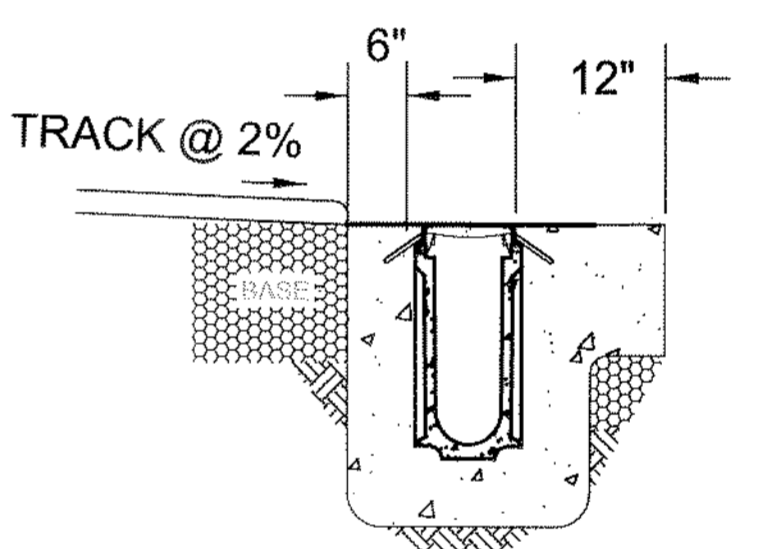
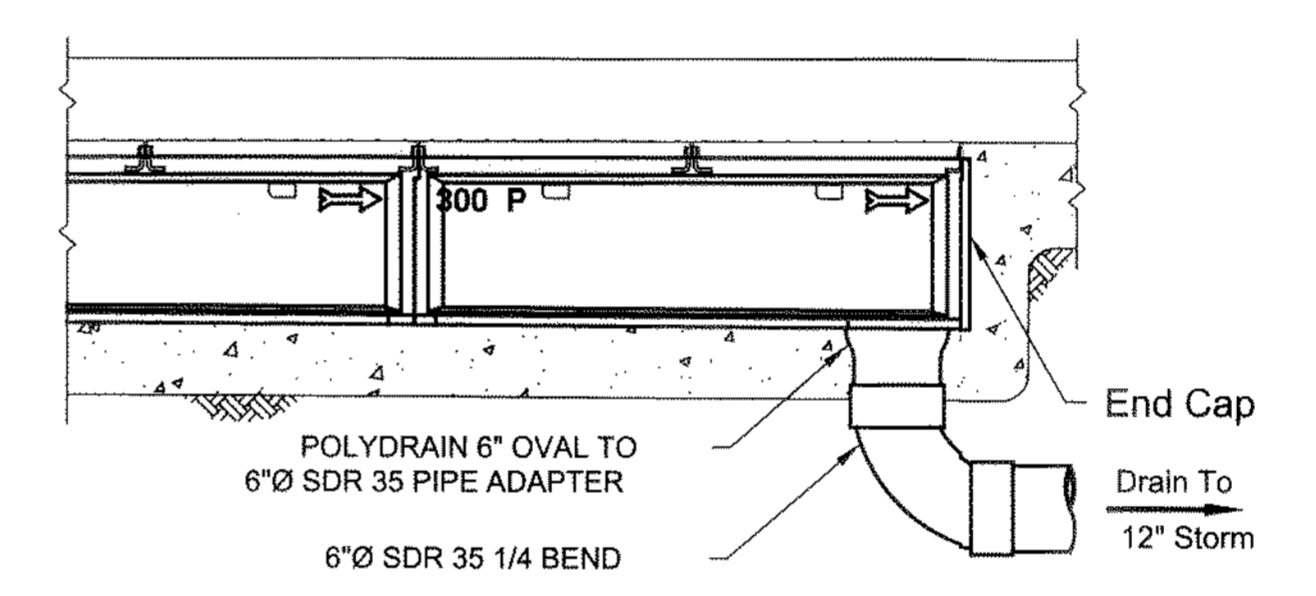
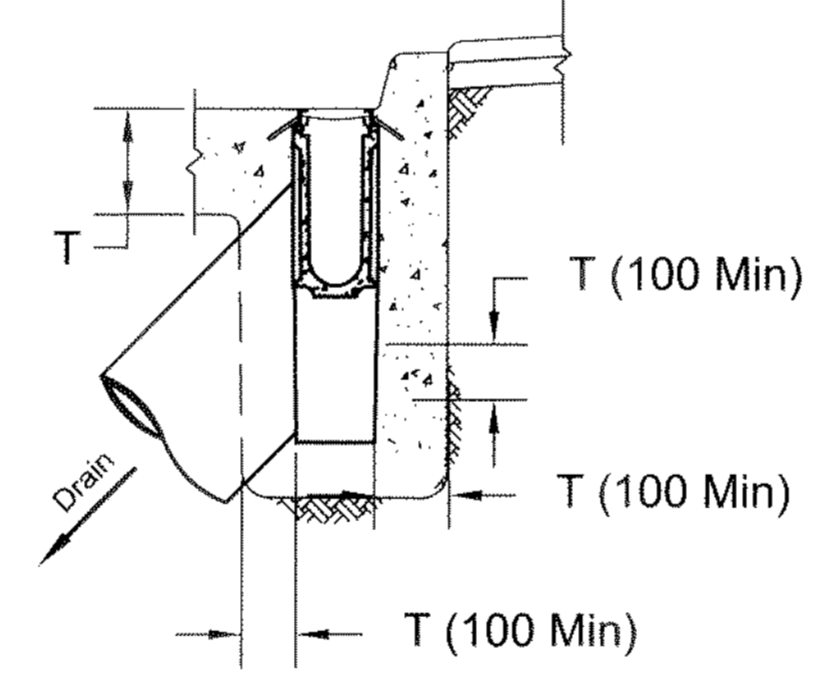
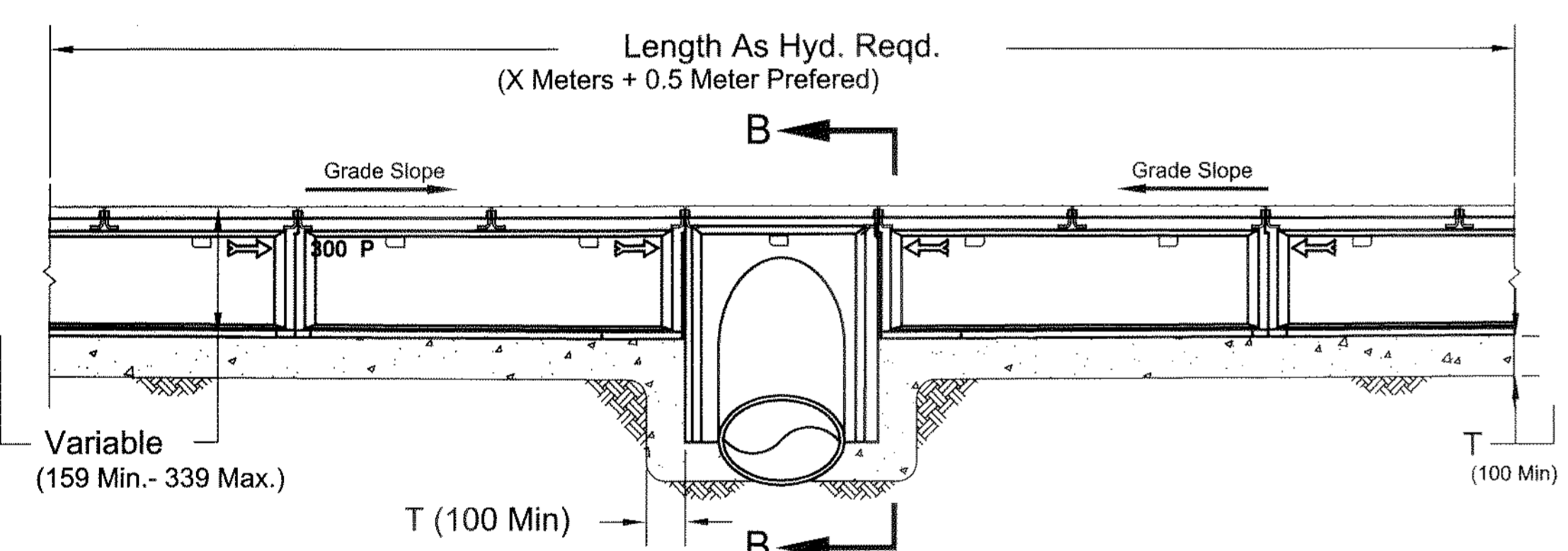
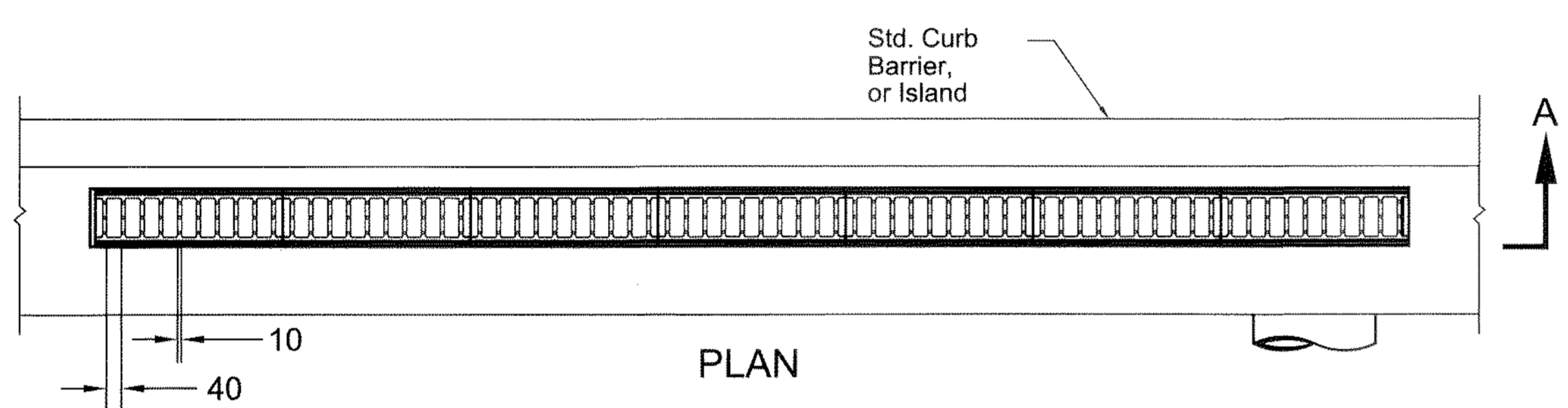
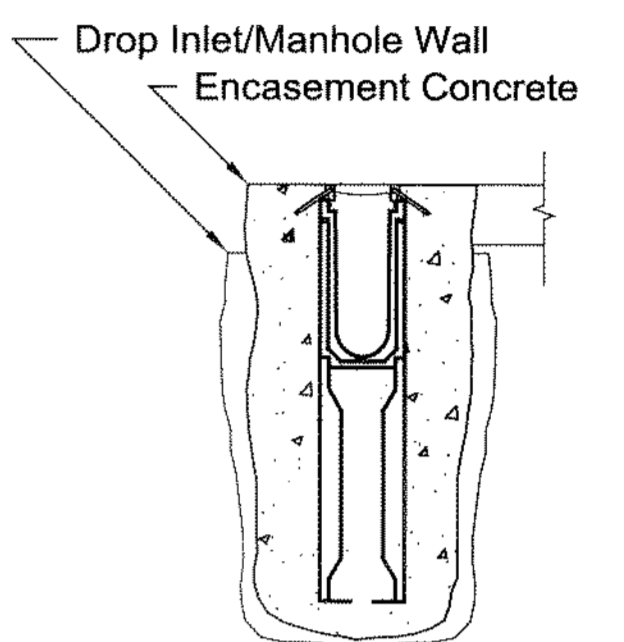
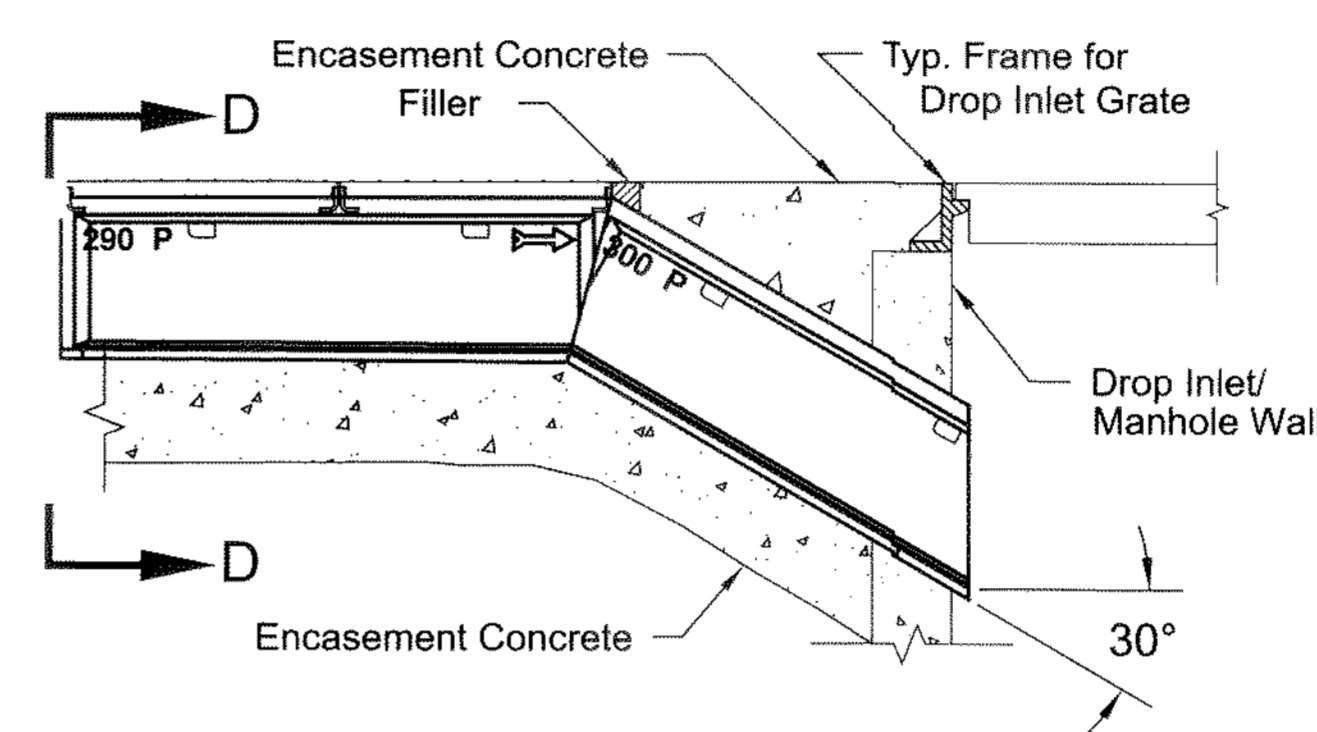
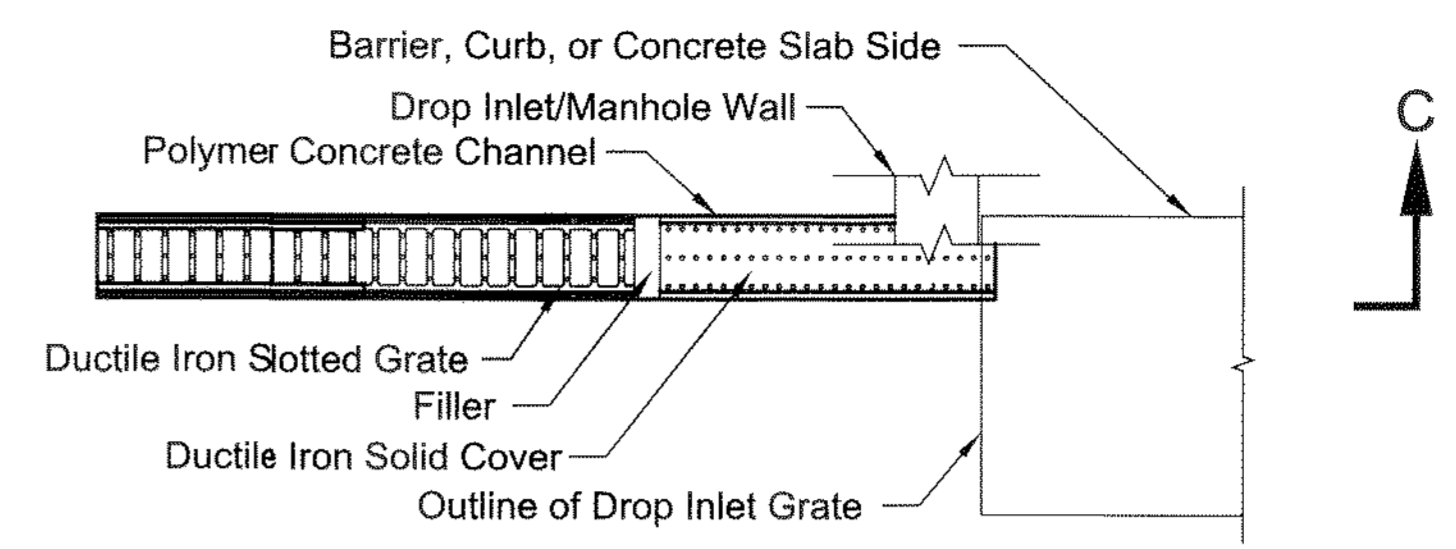
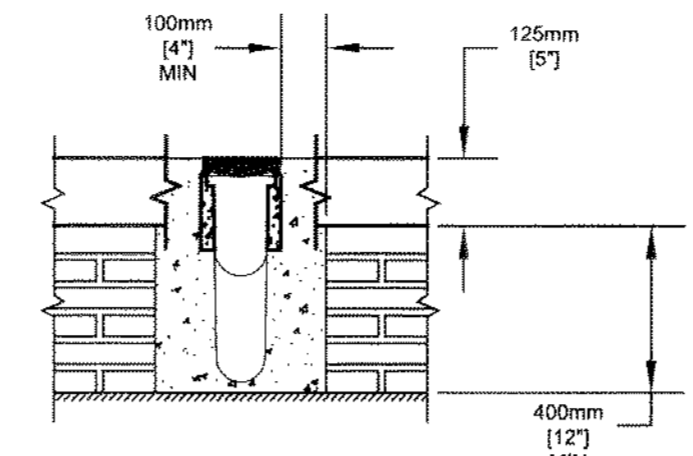
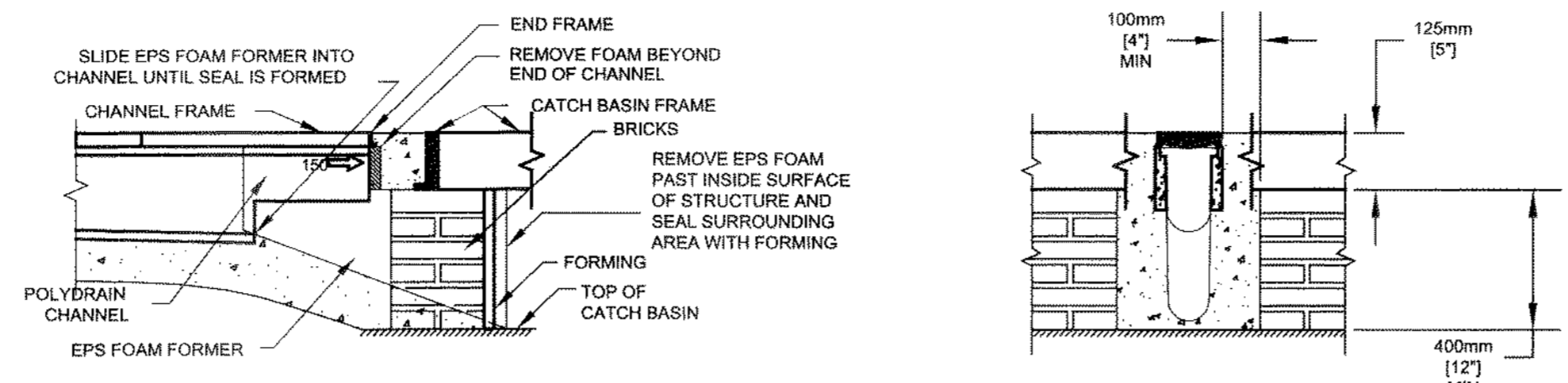
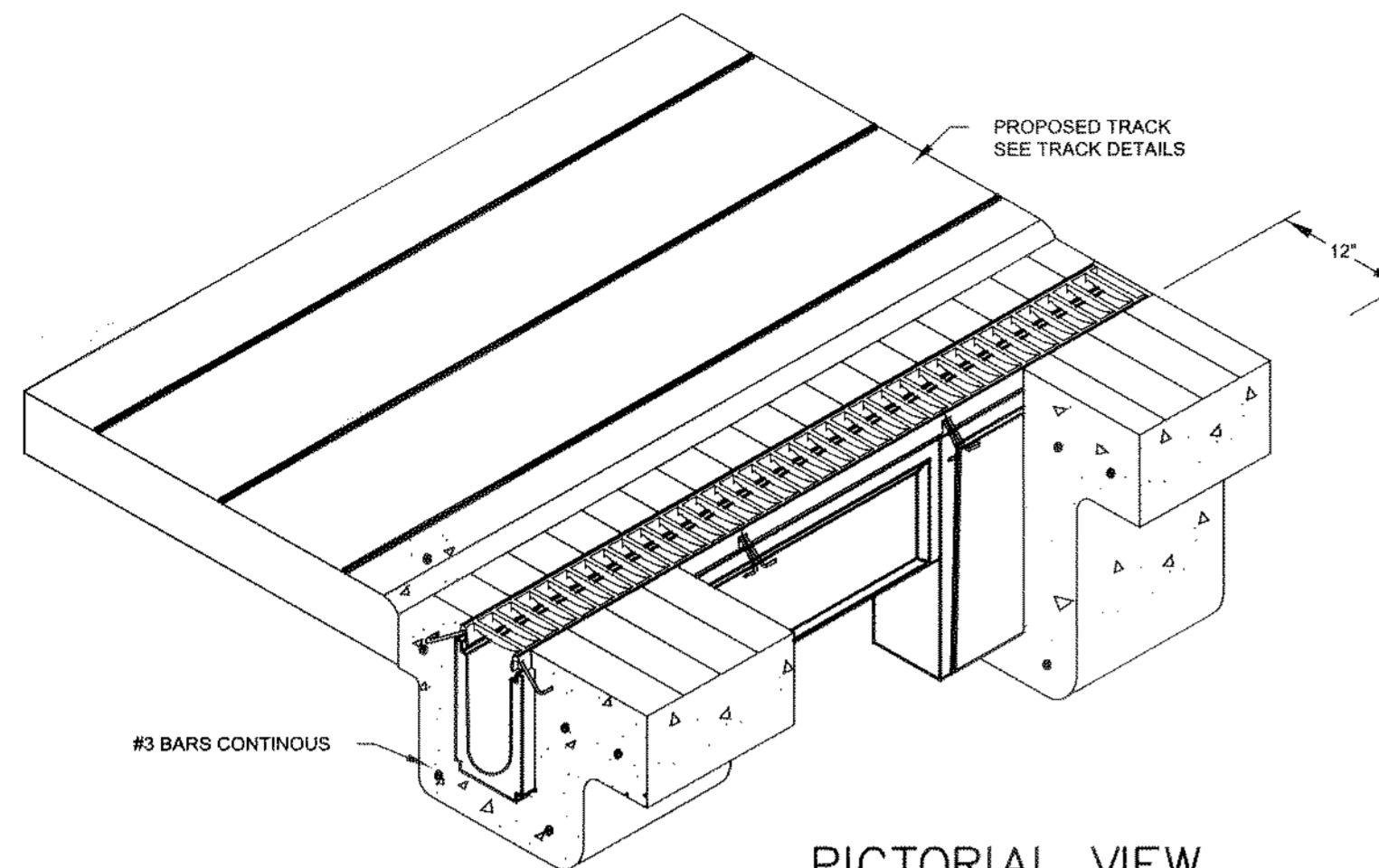
Project Number: 4107.048.00
Drawing Date: 05/29/2008
Drawn:
Checked:
Scale:
ACAD File: 2008WILKERSON-SANDERS-DETA
© 2008 SHW Group, LLP

Revisions:

| | | |
|---|----------|-------------------|
| 1 | 11/05/08 | CITY REVISIONS |
| 2 | 12/02/08 | CITY REVISIONS #2 |
| 3 | 12/12/08 | CITY REVISIONS #3 |
| 4 | 12/16/08 | CITY REVISIONS #4 |
| 5 | 01/26/09 | CITY REVISIONS #5 |
| 6 | 08/03/09 | RECORD SET |

Sheet Title:
TRENCH DETAILS

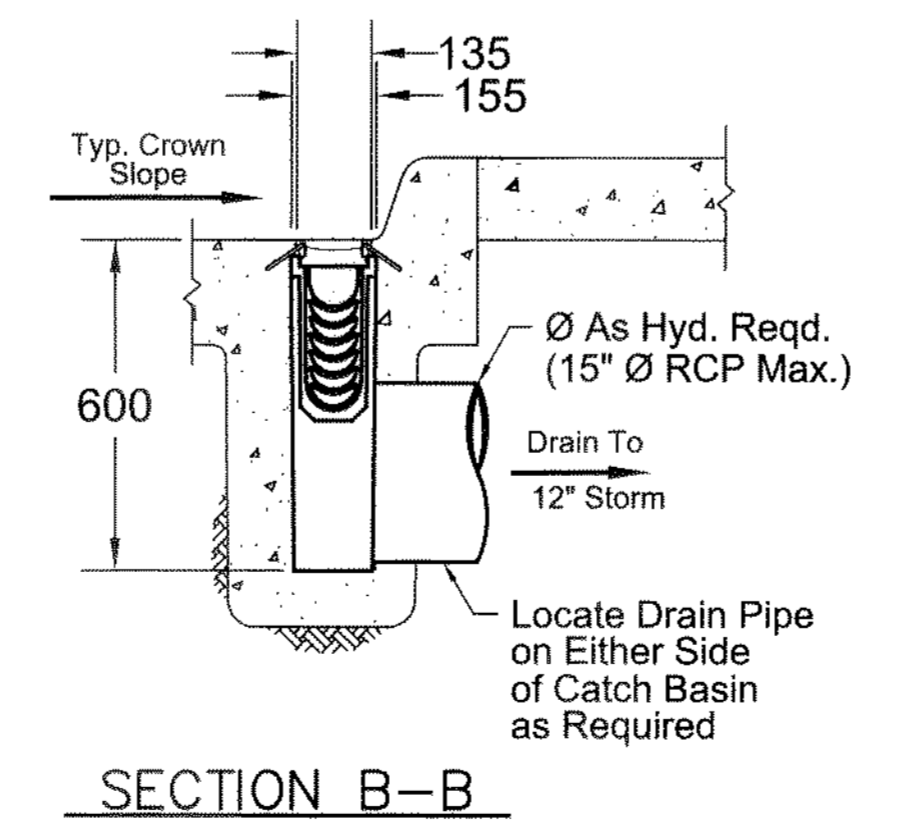
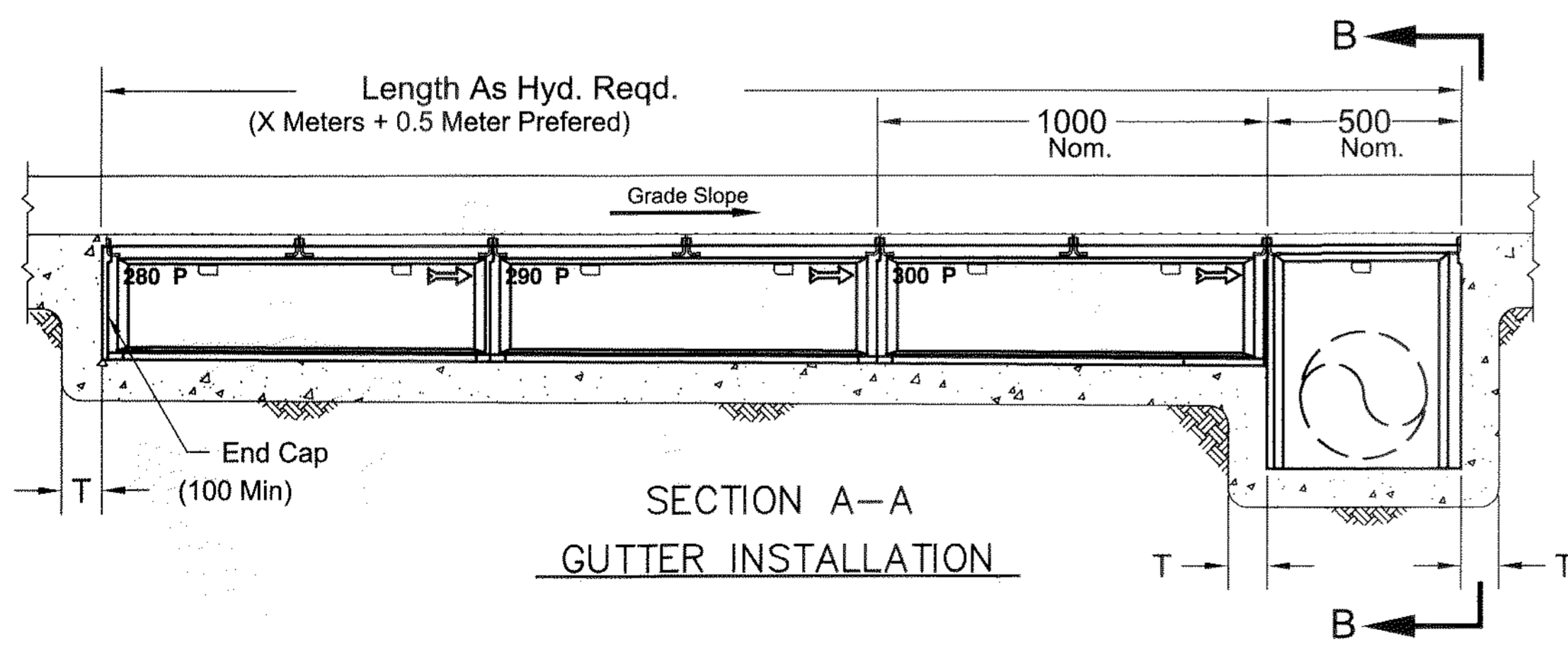
CU 1.05



NOTE:
1. MUST BE A SLOPING TRENCH DRAIN SYSTEM
2. TRENCH DRAIN SHALL ACCOMADATE TURF

LINE DRAIN NOTES

1. Line drain is suitable for applications for controlling spread in gutter flow conditions or to intercept sheet flow. Typical application is at the street curb or barrier.
2. The frame and grate is suitable for pedestrian and bicycle traffic and rated for H-25 and HS-25 loads.
3. Concrete thickness, type, and amount of reinforcement to be same as adjacent pavement.
4. Top of grate to be installed flush to 3 mm below finished grade. Bevel concrete to top of grate if below flush.



TRENCH DETAILS

SCALE: 1"=20'

RECORD DRAWING
This is to certify that changes and corrections have been made to conform to the contractor's record of this project.
Signed: *Mike Glenn* Date: *8-4-09*
Glenn Engineering Corporation

Aug 03, 2009 - 2:18pm User: Rick
C:\Robertp\c-drive\ROCKISD\UTLEY\2008 ADDITIONS\IBD SET\2008 WILKERSON-SANDERS STADIUM\2008WILKERSON-SANDERS-DETAILS.dwg