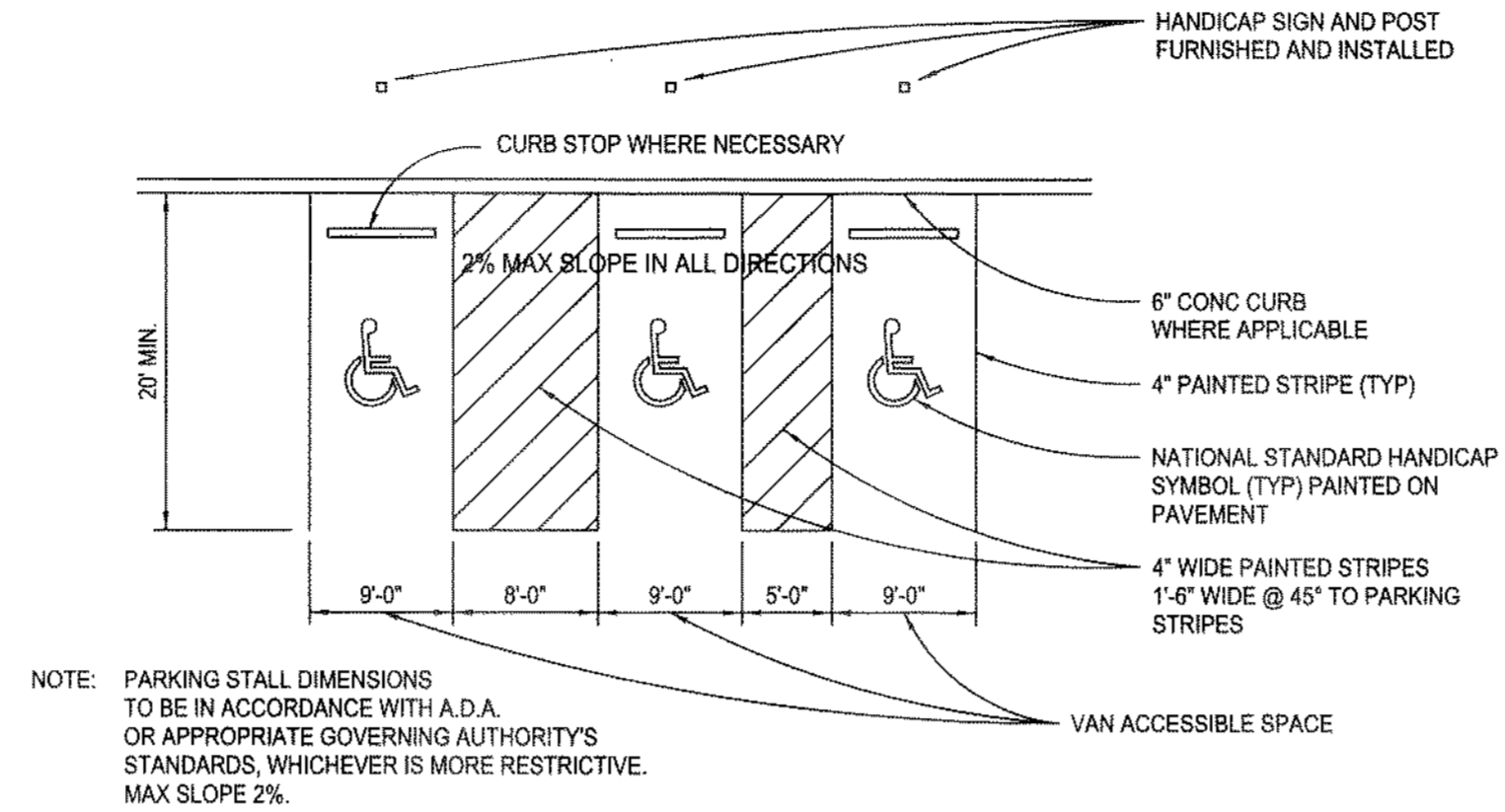


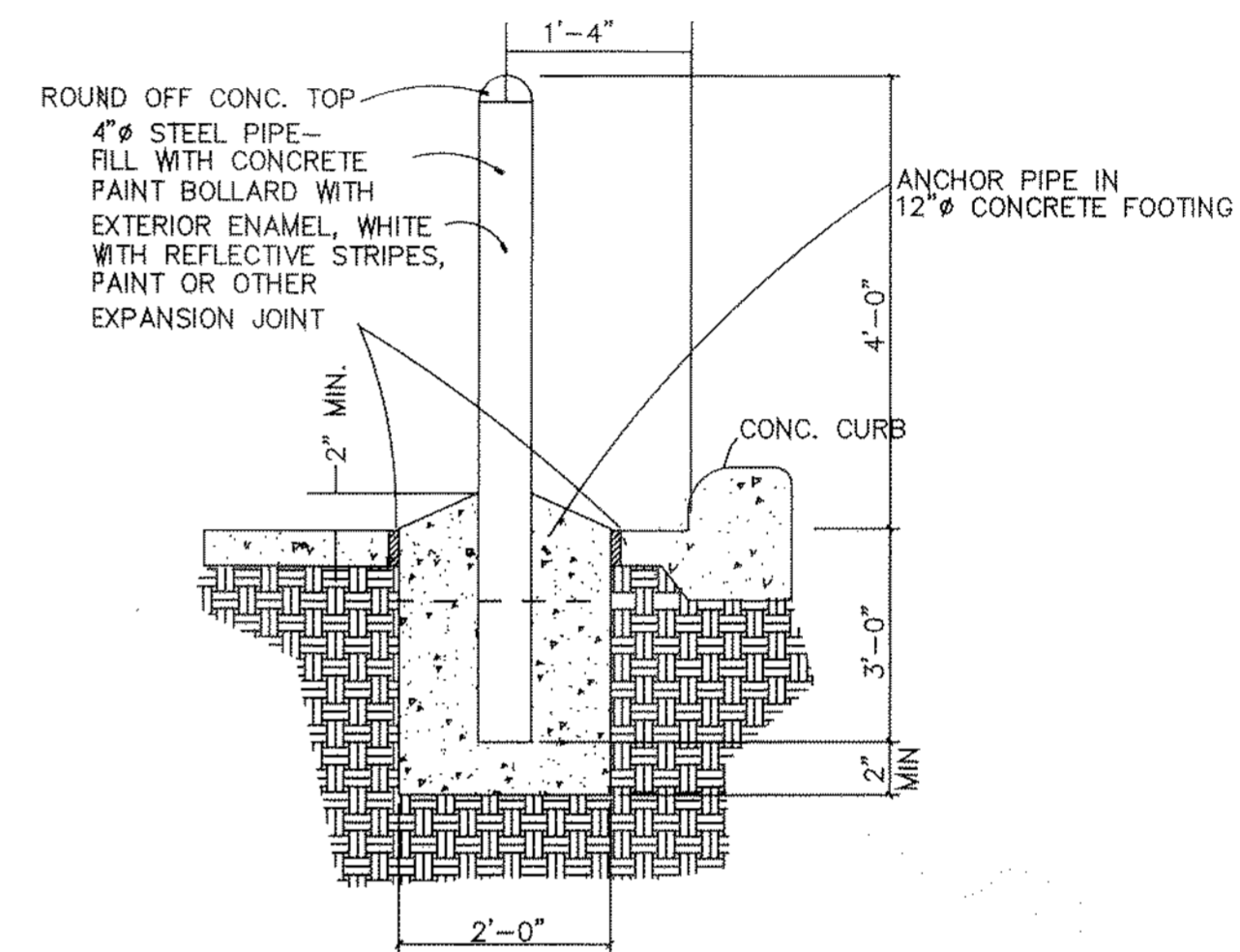
NOTE: NO SAND WILL BE PERMITTED UNDER PAVEMENT.



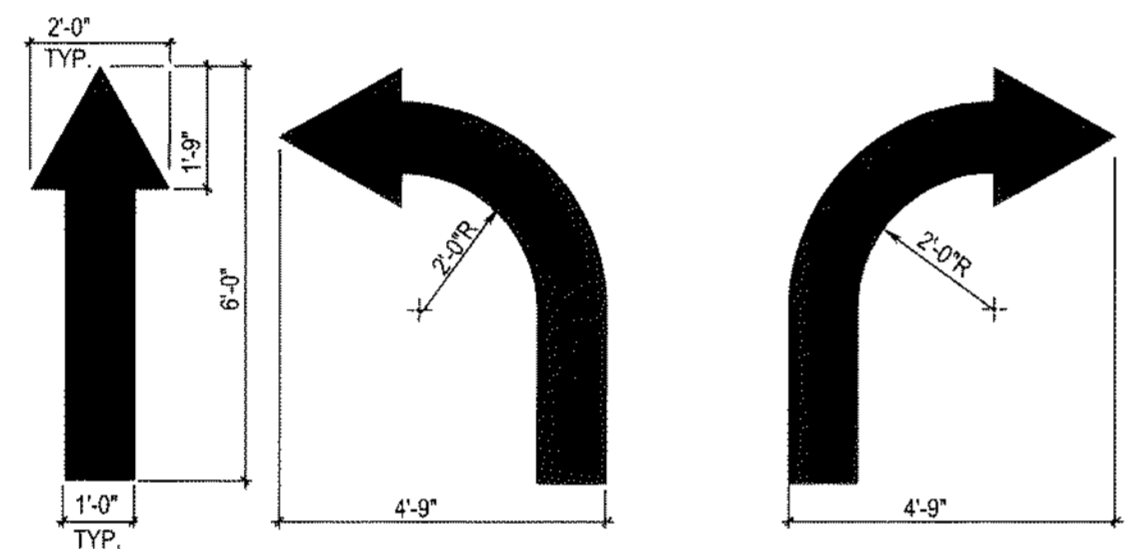
NOTE: PARKING STALL DIMENSIONS TO BE IN ACCORDANCE WITH A.D.A. OR APPROPRIATE GOVERNING AUTHORITY'S STANDARDS, WHICHEVER IS MORE RESTRICTIVE. MAX SLOPE 2%.

ACCESSIBLE PARKING STALL DETAILS
NOT TO SCALE

NOTE:
USE THE CITY OF ROCKWALL STANDARDS OF DESIGN AND DETAILING FOR YOUR STANDARD DESIGN DETAILS.



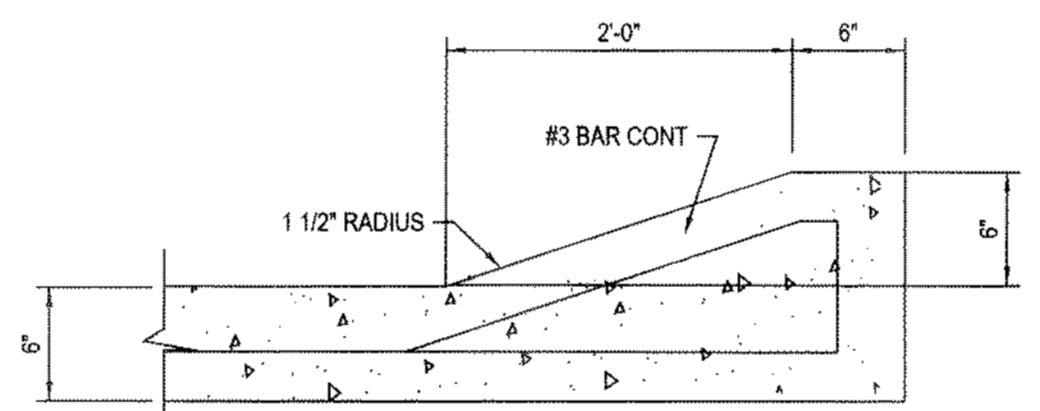
STEEL PIPE BOLLARD DETAIL
NOT TO SCALE



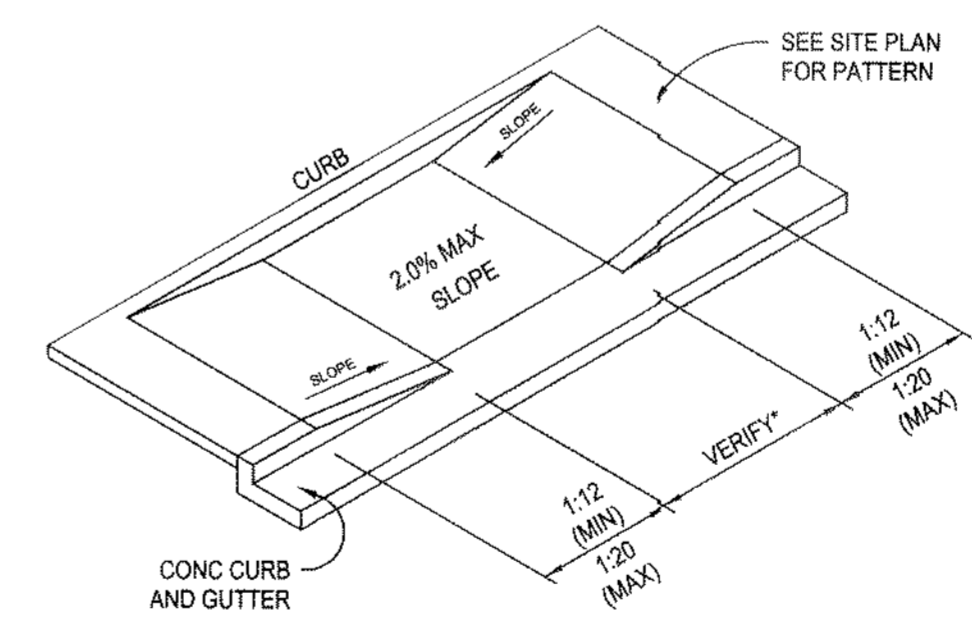
ALL FLOW ARROWS TO BE SOLID YELLOW REFLECTIVE TRAFFIC PAINT AS PER DIMENSIONS ABOVE.

REVERSE ARROWS FOR OPPOSITE DIRECTION OF FLOW.

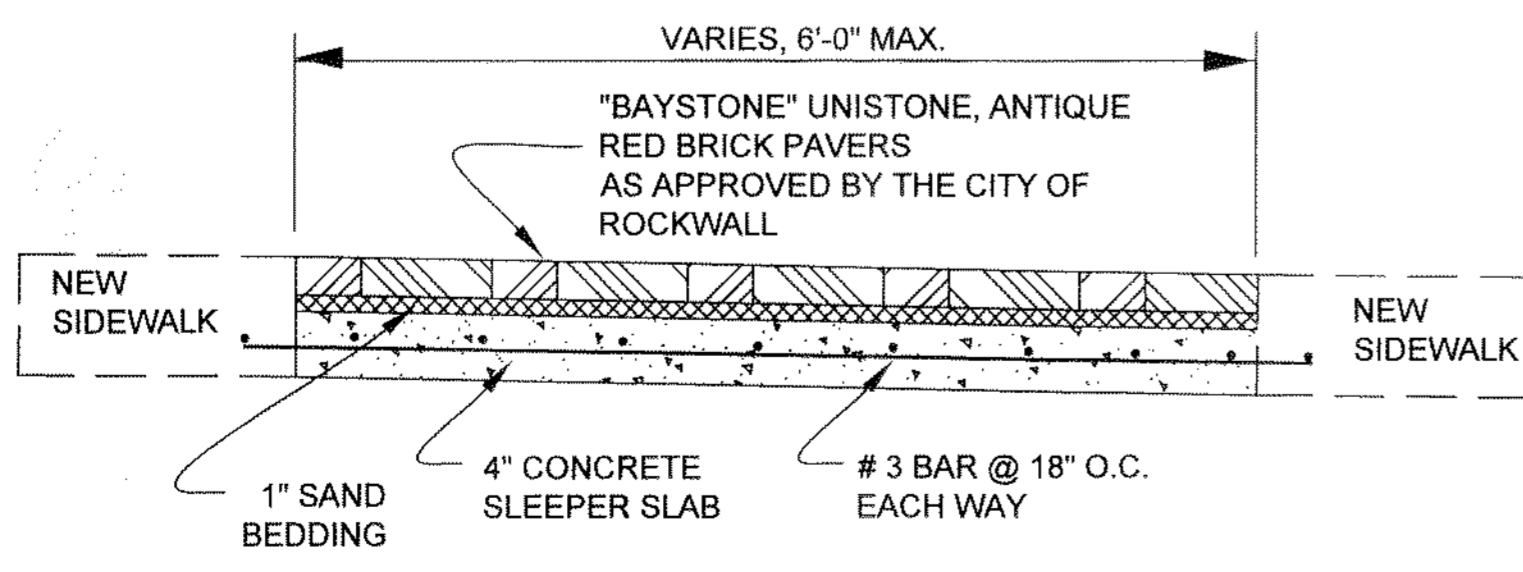
PAINTED TRAFFIC ARROWS
NOT TO SCALE



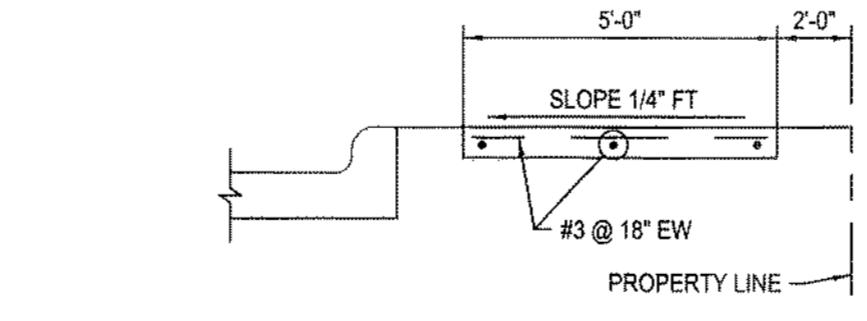
TYPICAL ROLL-OVER CURB
NTS



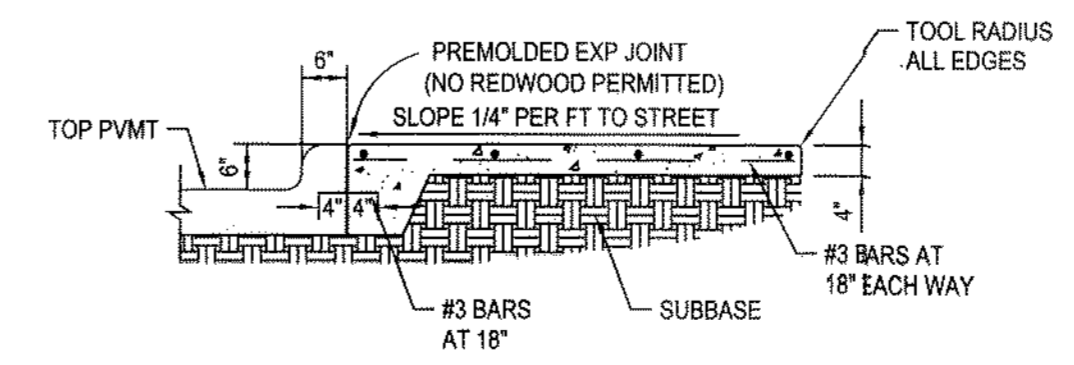
HANDICAP RAMP DETAIL
NTS



BRICK PAVER FOR SIDEWALK
TYPICAL CROSS SECTION
N.T.S.



WALK/BUILDING/CURB
INTERFACE
NTS



INTERIOR SIDEWALK
TYPICAL SECTION
NTS

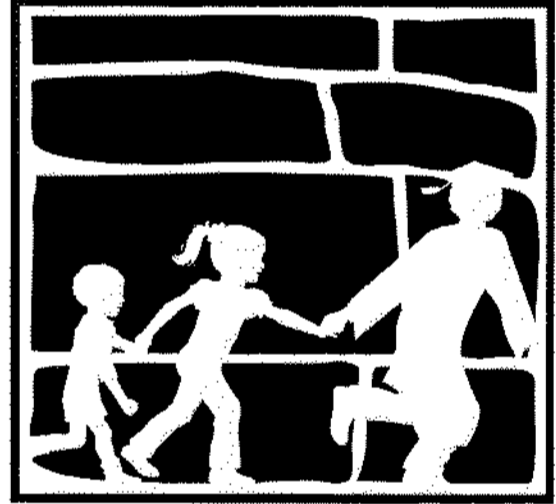
PRIVATE PAVING DETAILS

RECORD DRAWING
This is to certify that changes and corrections have been made to conform to the contractor's record of this project.
Signed: *[Signature]* Date: 8-4-09
Glenn Engineering Corporation



Consultants:
CIVIL:
GLENN ENGINEERING CORP
STRUCTURAL:
SHW GROUP, LLP
MEP:
ESTES McCLURE & ASSOCIATES, INC.
FOOD SERVICE:
JMK FOODSERVICE CONSULTING & DESIGN, LLC
LANDSCAPING:
RAMSEY LANDSCAPE ARCHITECTS, LLP

Final Plans for Bidding and Construction



Rockwall
INDEPENDENT SCHOOL DISTRICT

WILKERSON SANDERS
STADIUM RENOVATIONS
ROCKWALL, TEXAS

Project Number: 4107.048.00
Drawing Date: 05/29/2008
Drawn:
Checked:
Scale:
ACAD File: 2008WILKERSON-SANDERS-DETAIL
© 2008 SHW Group, LLP

Revisions:

1	11/05/08	CITY REVISIONS
2	12/02/08	CITY REVISIONS #2
3	12/12/08	CITY REVISIONS #3
4	12/16/08	CITY REVISIONS #4
5	01/26/09	CITY REVISIONS #5
6	08/03/09	RECORD SET

Sheet Title:
PAVING
DETAILS

CP 1.02

Aug 03, 2009 - 2:18pm User: Rick
C:\Robert\p\c-drive\ROCKWALL\UTL\2008 ADDITIONS\BID SET\2008 WILKERSON-SANDERS STADIUM\2008WILKERSON-SANDERS-DETAILS.dwg