

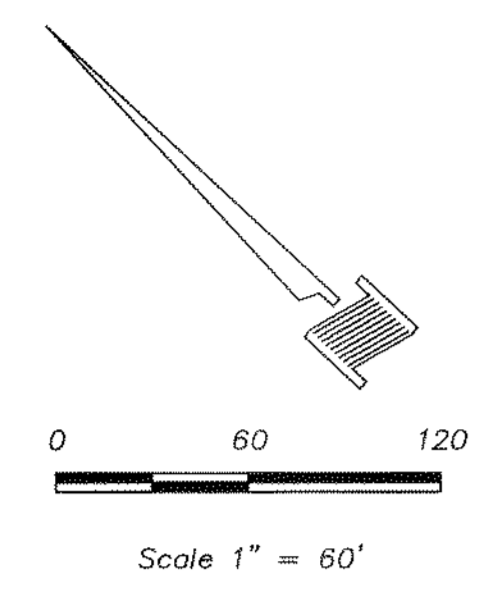
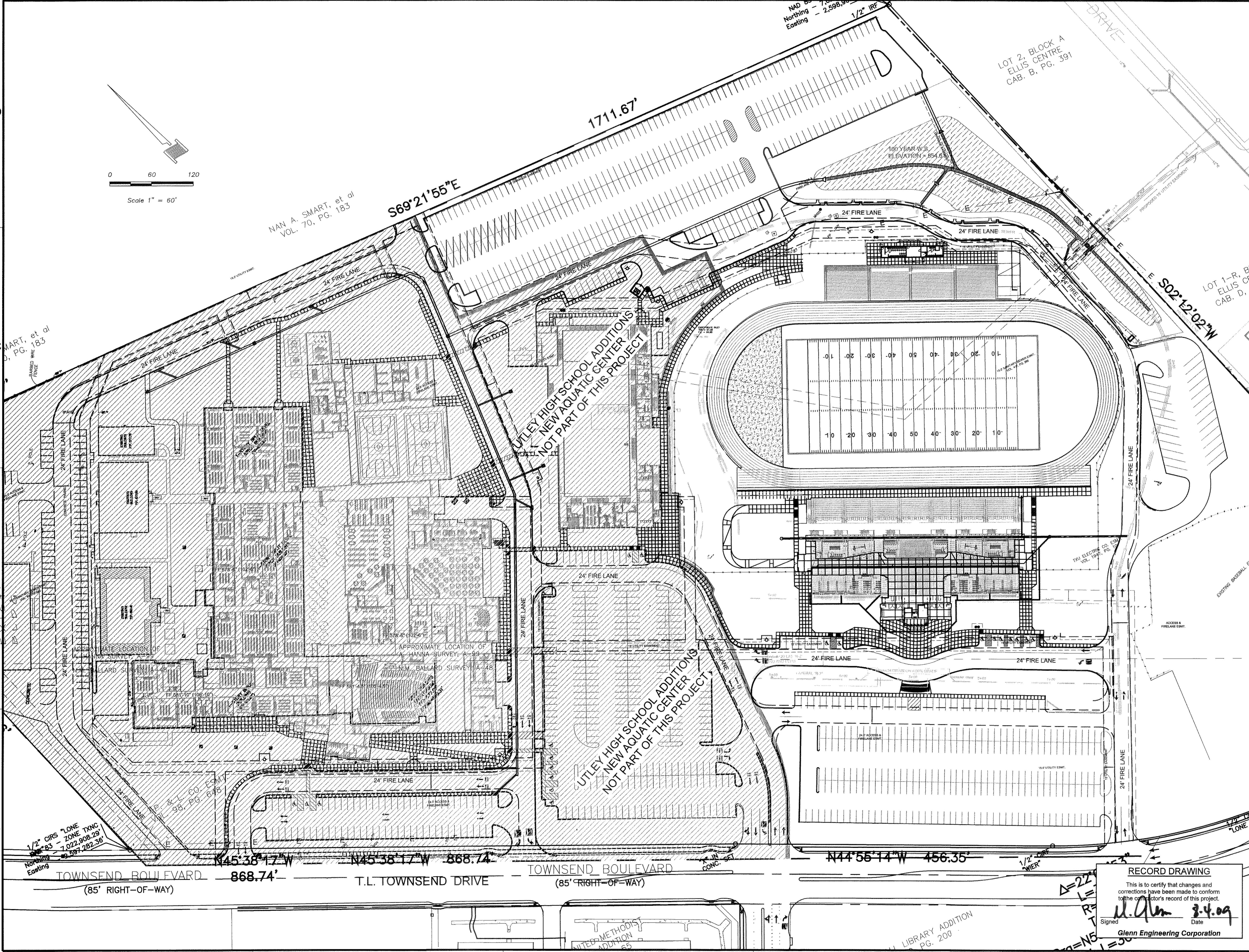
1

2

3

4

5



NAN A. SMART, et al
VOL. 70, PG. 183

NAD 83
Northing = 2,598,300
Easting = 2,598,300

LOT 2, BLOCK A
ELLIS CENTRE
CAB. B, PG. 391

LOT 1-R, BL
ELLIS CE
CAB. D, I

C MART, et al
D, PG. 183

UTLEY HIGH SCHOOL ADDITIONS
NEW AQUATIC CENTER
NOT PART OF THIS PROJECT

UTLEY HIGH SCHOOL ADDITIONS
NEW AQUATIC CENTER
NOT PART OF THIS PROJECT

1/2" CIRS "LONE
98° 25' - ZONE TANG
7,022,908.29'
2,597,282.36'

N45°38'17"W 868.74'

N45°38'17"W 868.74'

TOWNSEND BOULEVARD
(85' RIGHT-OF-WAY)

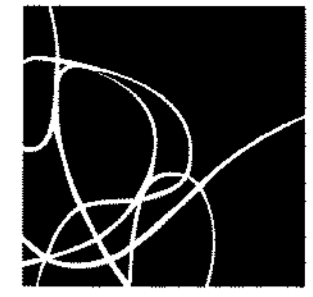
N44°56'14"W 456.35'

RECORD DRAWING

This is to certify that changes and corrections have been made to conform to the contractor's record of this project.

Signed: *U. Alon* 3.4.09 Date

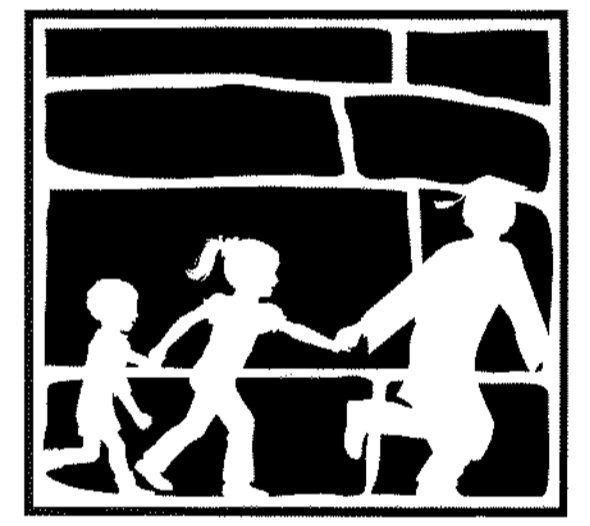
Glenn Engineering Corporation



SHW GROUP
ARCHITECTS | ENGINEERS | PLANNERS

- Consultants:
- CIVIL: GLENN ENGINEERING CORP
 - STRUCTURAL: SHW GROUP, LLP
 - MEP: ESTES McCLURE & ASSOCIATES, INC. FOOD SERVICE; JMK FOODSERVICE CONSULTING & DESIGN, LLC
 - LANDSCAPING: RAMSEY LANDSCAPE ARCHITECTS, LLP

Final Plans for Bidding and Construction



Rockwall
INDEPENDENT SCHOOL DISTRICT
WILKERSON SANDERS STADIUM RENOVATIONS
ROCKWALL, TEXAS

Project Number: 4107.048.00
Drawing Date: 05/29/2008
Drawn:
Checked:
Scale:
ACAD File: 2008WILKERSON-SANDERS-REV8.d
© 2008 SHW Group, LLP

Revisions:

1	11/05/08	CITY REVISIONS
2	12/02/08	CITY REVISIONS #2
3	12/12/08	CITY REVISIONS #3
4	12/16/08	CITY REVISIONS #4
5	01/26/09	CITY REVISIONS #5
6	08/03/09	RECORD SET

Sheet Title:
OVERALL SITE PLAN

CS 1.01

Aug 03, 2009 - 3:52pm User: Rick
\\robertpic-drive\rock\SD\UTLEY\2008 ADDITIONS\BID SET\2008 WILKERSON-SANDERS STADIUM\2008WILKERSON-SANDERS-REV8.dwg