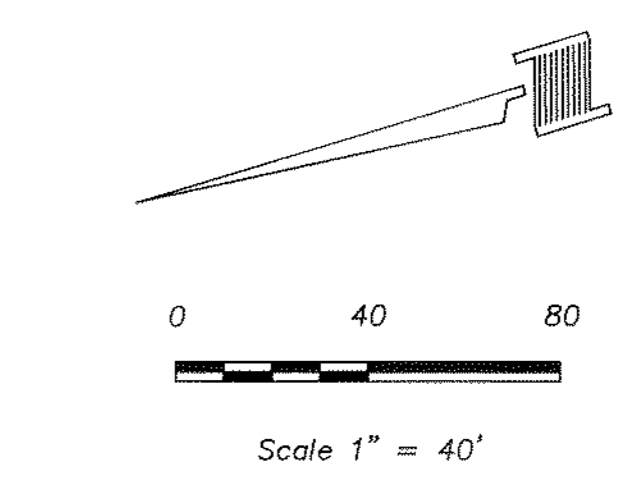


- DEMOLITION NOTES:**
1. CONTRACTOR SHALL CONSULT ALL UTILITY COMPANIES AND VERIFY LOCATION OF ALL UNDERGROUND UTILITIES PRIOR TO DEMOLITION. REMOVAL AND RELOCATION OF ALL UTILITY LINES, METERS, VALVES, ETC. SHALL BE PERFORMED PER REQUIREMENTS OF THE CITY OF ROCKWALL & UTILITY COMPANIES. ANY DAMAGE TO PUBLIC UTILITIES SHALL BE THE GENERAL CONTRACTOR'S RESPONSIBILITY TO CORRECT.
 2. ALL DEMOLITION AND CONSTRUCTION TO BE KEPT WITHIN THE BOUNDARIES OF THE SITE OR AS DESIGNATED BY CONSTRUCTION ENGINEER. ANY DAMAGE BY CONTRACTOR TO ADJOINING PROPERTIES OR ITEMS NOT IN THE DESIGNATED DEMOLITION AREA SHALL BE THE GENERAL CONTRACTOR'S RESPONSIBILITY TO CORRECT.
 3. REMOVE ALL EXISTING UNDERGROUND UTILITIES, CAP AS REQUIRED. BACK FILL AND COMPACT PER CITY OF ROCKWALL SPECIFICATIONS.
 4. REMOVE SURFACE PAVING AS NEEDED TO COMPLETE PAVING PLAN.
 5. REMOVE EXISTING SIGNAGE, INCLUDING POSTS AND FOUNDATIONS.
 6. REMOVE ANY OTHER ITEMS NOT INDICATED ABOVE BUT WHICH MUST BE DEMOLISHED TO COMPLETE PROJECT AS DESIGNATED BY SITE PLAN.

NOTE:
Contractor shall remove all sprinkler heads and equipment in the areas occupied by the construction and staging areas. Terminate/cap off all lines as required. All sprinkler heads and equipment shall be given to the owner. The contractor is responsible for making all necessary changes to the irrigation system that are required to keep the remaining areas outside the construction areas in working order. This includes relocation of any valves, piping, controls, etc., to operate the system.

At the completion of the construction project, this contractor is responsible for installation of an irrigation system throughout the areas that were involved in the construction. Equipment installed shall be the same as that which was removed. Owner will provide the equipment that was removed back to the contractor. Any additional equipment required will be by the contractor.



RECORD DRAWING
This is to certify that changes and corrections have been made to conform to the contractor's record of this project.

Signed: *Glenn* Date: *8.4.09*
Glenn Engineering Corporation

SHWGROUP
ARCHITECTS | ENGINEERS | PLANNERS

CIVIL:
GLENN ENGINEERING, INC.

STRUCTURAL:
SHW GROUP LLP

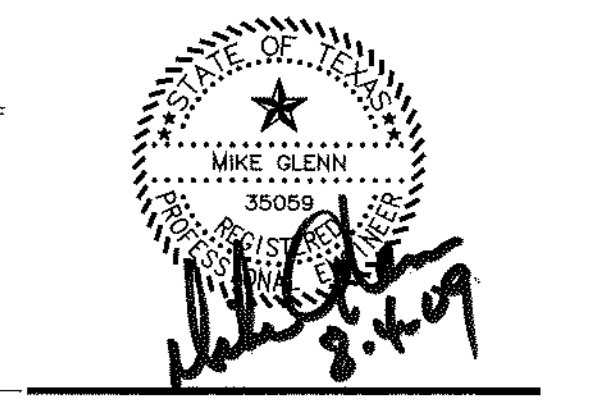
MEP:
ESTES, McCLURE & ASSOCIATES

LANDSCAPING:
GRUBBS-RAMSEY, INC.

FOOD SERVICE:
JMK DESIGNS

AQUATICS:
AQUATIC EXCELLENCE

FINAL PLANS
FOR BIDDING AND CONSTRUCTION



HERMAN E. UTLEY MIDDLE SCHOOL

CHECKED:
FILE:
© 2008 SHW Group LLP
ISSUE: 08/22/2008

1	09/19/08	CITY REVISIONS #1
2	09/28/08	CITY REVISIONS #2
3	10/01/08	CITY REVISIONS #3
4	10/13/08	REVISIONS #4
5	11/18/08	GRADING REVISIONS
6	12/02/08	UTILITY REVISIONS
7	01/14/09	GRADING REVISIONS
8	02/26/09	GRADING REVISIONS
9	05/20/09	COURTYARD STORM
10	08/03/09	RECORD SET

Sheet Title:
WEST DEMOLITION PLAN

CD 1.02
SHW Project: 4107.043.00

Revised: Aug. 3, 2008, 1:55 PM by: mglenn, fcb, Glenn, 7/27/2009 by: mglenn, fcb, Glenn
 \\shwgrp-dm\share\rockwall\utley\2008 ADDITIONAL SET\CD1.DWG