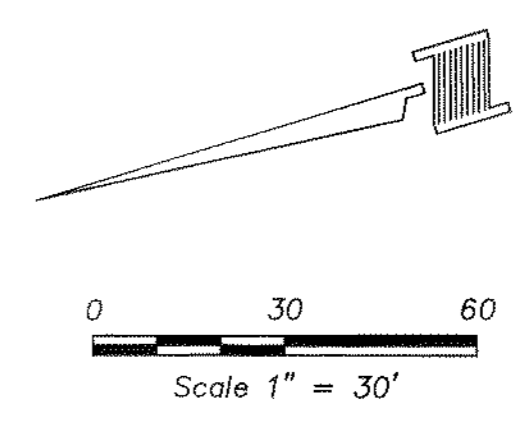


- GENERAL NOTES:**
1. STRIPING & SIGNAGE DIMENSIONS ARE FROM FACE OF CURB
 2. ALL FIRE LANES, PARKING STRIPING, HDCP PARKING STRIPING & SIGNAGE ARE TO BE IN ACCORDANCE WITH CITY OF ROCKWALL REQUIREMENTS, TYP.
 3. THE SANITATION CONTAINER SCREENING WALLS WILL BE THE SAME COLOR, MATERIAL, AND TEXTURE AS THE EXTERIOR WALLS OF THE PROPOSED BUILDING, INCLUDING A METAL GATE, PRIMED AND PAINTED, SUBJECT TO REVIEW AND APPROVAL BY THE CITY PLANNER.
 4. THE SANITATION CONTAINER SCREENING WALLS, GATE, AND PAD SITE TO BE CONSTRUCTED IN ACCORDANCE WITH THE CITY OF ROCKWALL DESIGN SPECIFICATIONS, SUBJECT TO REVIEW AND APPROVAL BY THE SANITATION COORDINATOR.
 5. PRIOR TO ANY CONSTRUCTION THE CONTRACTOR SHALL FAMILIARIZE HIMSELF WITH THE CONTRACT DOCUMENTS AND SPECIFICATIONS, THE PLANS INCLUDING ALL NOTES, THE CITY OF ROCKWALL SPECIFICATIONS AND ANY OTHER APPLICABLE STANDARDS OR SPECIFICATIONS RELEVANT TO THE PROPER COMPLETION OF THE WORK SPECIFIED. FAILURE ON THE PART OF THE CONTRACTOR TO FAMILIARIZE HIMSELF WITH ALL STANDARDS OR SPECIFICATIONS PERTAINING TO THIS WORK SHALL IN NO WAY RELIEVE THE CONTRACTOR OF RESPONSIBILITY FOR PERFORMING THE WORK IN ACCORDANCE WITH ALL SUCH APPLICABLE STANDARDS AND SPECIFICATIONS.
 6. CONTRACTOR SHALL HAVE IN HIS POSSESSION, PRIOR TO CONSTRUCTION, ALL NECESSARY PERMITS, LICENSES, ETC. CONTRACTOR SHALL HAVE AT LEAST ONE SET OF APPROVED ENGINEERING PLANS AND SPECIFICATIONS ON-SITE AT ALL TIMES.
 7. ALL WORK SHALL CONFORM TO THE CITY OF ROCKWALL SPECIFICATIONS, STANDARDS, AND DETAILS.
 8. IF UNFORESEEN PROBLEMS OR CONFLICTS ARE ENCOUNTERED IN THE CONSTRUCTION, FOR WHICH AN IMMEDIATE SOLUTION IS NOT APPARENT, THE ENGINEER AND OWNER SHALL BE NOTIFIED IMMEDIATELY.
 9. IT WILL BE THE RESPONSIBILITY OF EACH CONTRACTOR TO PROTECT ALL EXISTING PUBLIC AND PRIVATE UTILITIES THROUGHOUT THE CONSTRUCTION OF THIS PROJECT. CONTRACTOR SHALL CONTACT THE APPROPRIATE UTILITY COMPANIES FOR LINE LOCATIONS, PRIOR TO COMMENCEMENT OF CONSTRUCTION AND SHALL ASSUME FULL LIABILITY TO THOSE COMPANIES FOR ANY DAMAGES CAUSED TO THEIR FACILITIES.
 10. CONTRACTORS SHALL BE RESPONSIBLE FOR FIELD LOCATING EXISTING UTILITIES AND IMPROVEMENTS PRIOR TO CONSTRUCTION.
 11. TRENCH SAFETY DESIGN WILL BE THE RESPONSIBILITY OF THE UTILITY CONTRACTOR. CONTRACTOR SHALL SUBMIT DESIGN TO THE CITY OF ROCKWALL ENGINEERING DEPARTMENT FOR REVIEW.
 12. ALL FIRE LANES SHALL BE 3600 PSI CONCRETE WITH MINIMUM 6 SACK FOR MACHINE PLACEMENT & 8 1/2 SACK FOR HAND PLACEMENT IN ACCORDANCE WITH THE CITY OF ROCKWALL STANDARDS.



CIVIL:
GLENN ENGINEERING, INC.

STRUCTURAL:
SHW GROUP LLP

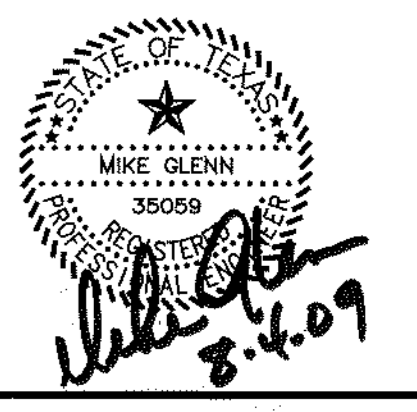
MEP:
ESTES, McCLURE & ASSOCIATES

LANDSCAPING:
GRUBBS- RAMSEY, INC.

FOOD SERVICE:
JMK DESIGNS

AQUATICS:
AQUATIC EXCELLENCE

FINAL PLANS
FOR BIDDING AND CONSTRUCTION



HERMAN E. UTLEY MIDDLE SCHOOL

CHECKED:
File
© 2008 SHW Group LLP
ISSUE: 08/27/2008

| | | |
|----|----------|-------------------|
| 1 | 09/19/08 | CITY REVISIONS #1 |
| 2 | 09/28/08 | CITY REVISIONS #2 |
| 3 | 10/01/08 | CITY REVISIONS #3 |
| 4 | 10/13/08 | REVISIONS #4 |
| 5 | 11/18/08 | GRADING REVISIONS |
| 6 | 12/02/08 | UTILITY REVISIONS |
| 7 | 01/14/09 | GRADING REVISIONS |
| 8 | 02/26/09 | GRADING REVISIONS |
| 9 | 05/20/09 | COURTYARD STORM |
| 10 | 07/27/09 | RECORD SET |

Sheet Title:
VISITOR SITE PLAN

CS 1.05

RECORD DRAWING
This is to certify that changes and corrections have been made to conform to the Contractor's record of this project.
Signed: *[Signature]* Date: 8.4.09
Glenn Engineering Corporation

MATCH LINE - CS 1.04

MATCH LINE - CS 1.06

Plotted: Aug 3, 2009, 1:14 PM by user: rock - Sheet: 101.0509 by user: csk
 \\roaming-cs\shw\rock\scout\UTLEY\008 ADDITIONAL SET\008 UTLEY\SCH-MAT-REV3.dwg