



SHWGROUP

ARCHITECTS | ENGINEERS | PLANNERS

CIVIL:
GLENN ENGINEERING, INC.

STRUCTURAL:
SHW GROUP LLP

MEP:
ESTES, McCLURE &
ASSOCIATES

LANDSCAPING:
GRUBBS-RAMSEY, INC.

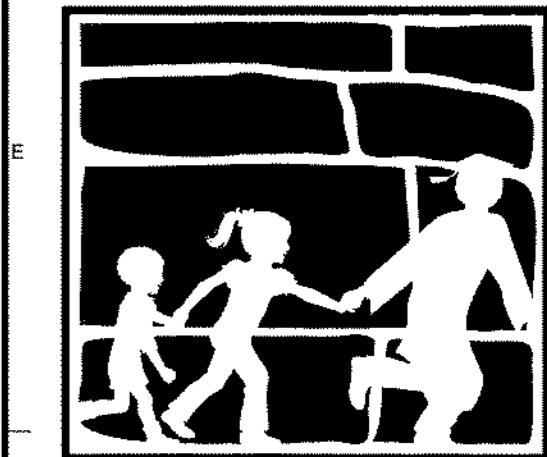
FOOD SERVICE:
JMK DESIGNS

AQUATICS:
AQUATIC EXCELLENCE

FINAL PLANS
FOR BIDDING AND CONSTRUCTION



Rockwall ISD



HERMAN E. UTLEY
MIDDLE SCHOOL

CHECKED:

File:
© 2008 SHW Group LLP

ISSUE: 08/22/2008

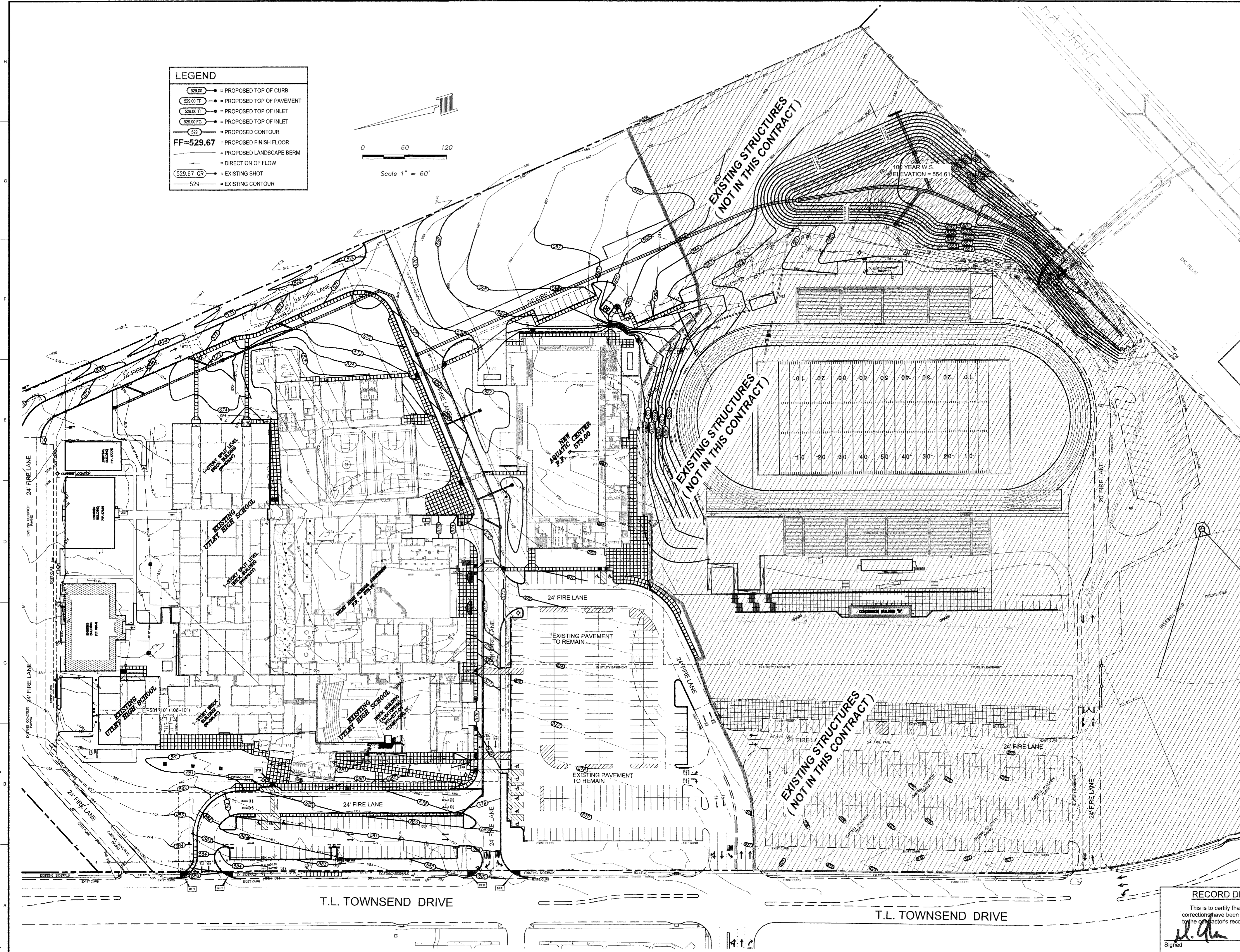
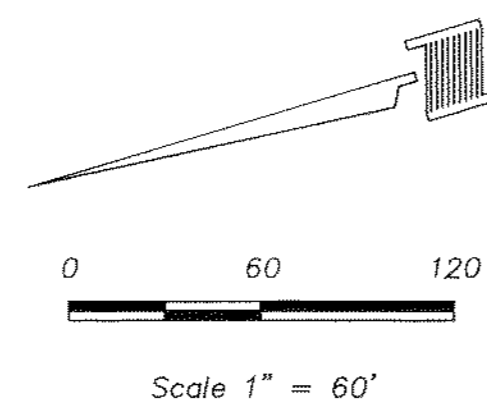
1	09/19/08	CITY REVISIONS #1
2	09/28/08	CITY REVISIONS #2
3	10/01/08	CITY REVISIONS #3
4	10/13/08	REVISIONS #4
5	11/18/08	GRADING REVISIONS
6	12/02/08	UTILITY REVISIONS
7	01/14/09	GRADING REVISIONS
8	02/26/09	GRADING REVISIONS
9	05/20/09	COURTYARD STORM
10	07/27/09	RECORD SET

Sheet Title:
**UTLEY OVERALL
GRADING
PLAN**

CG 1.01

LEGEND

	= PROPOSED TOP OF CURB
	= PROPOSED TOP OF PAVEMENT
	= PROPOSED TOP OF INLET
	= PROPOSED TOP OF INLET
	= PROPOSED CONTOUR
	FF=529.67 = PROPOSED FINISH FLOOR
	= PROPOSED LANDSCAPE BERM
	= DIRECTION OF FLOW
	529.67 CR = EXISTING SHOT
	529 = EXISTING CONTOUR



RECORD DRAWING
This is to certify that changes and corrections have been made to conform to the contractor's record of this project.

M. Glenn 8-4-09
Signed Date
Glenn Engineering Corporation

Plotted: Aug 3, 2009, 1:13 PM by user: rds
 V:\robertmc-davis\rockwall\utley\0808 ADDITIONAL SET\UTLEY-SCH-HAT-REV3.dwg