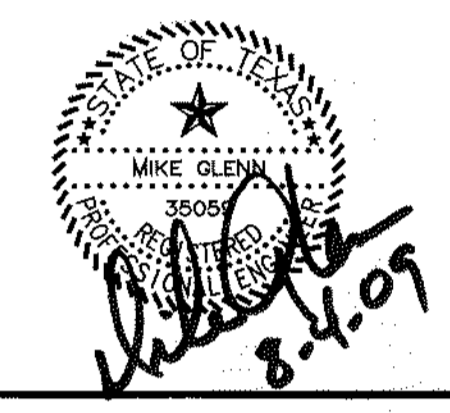




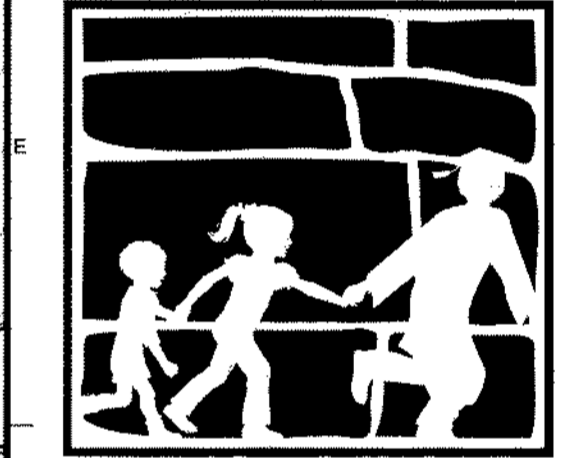
SHWGROUP
ARCHITECTS | ENGINEERS | PLANNERS

CIVIL:
GLENN ENGINEERING, INC.
STRUCTURAL:
SHW GROUP LLP
MEP:
ESTES, McCLURE &
ASSOCIATES
LANDSCAPING:
GRUBBS-RAMSEY, INC.
FOOD SERVICE:
JMK DESIGNS
AQUATICS:
AQUATIC EXCELLENCE

FINAL PLANS
FOR BIDDING AND CONSTRUCTION



Rockwall ISD



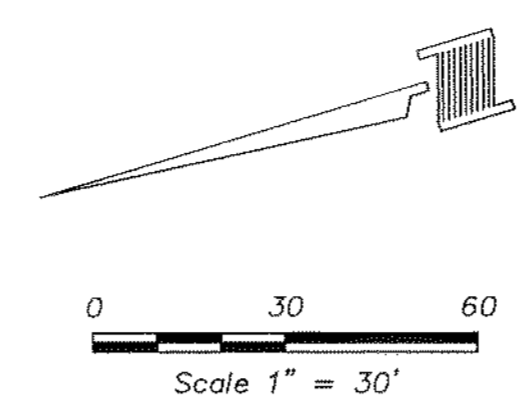
**HERMAN E. UTLEY
MIDDLE SCHOOL**

CHECKED:
File:
© 2008 SHW Group LLP
ISSUE: 08/22/2008

1	09/19/08	CITY REVISIONS #1
2	09/28/08	CITY REVISIONS #2
3	10/01/08	CITY REVISIONS #3
4	10/13/08	REVISIONS #4
5	11/18/08	GRADING REVISIONS
6	12/02/08	UTILITY REVISIONS
7	01/14/09	GRADING REVISIONS
8	02/26/09	GRADING REVISIONS
9	05/20/09	COURTYARD STORM
10	07/27/09	RECORD SET

Sheet Title:
**HOME SIDE
GRADING
PLAN**

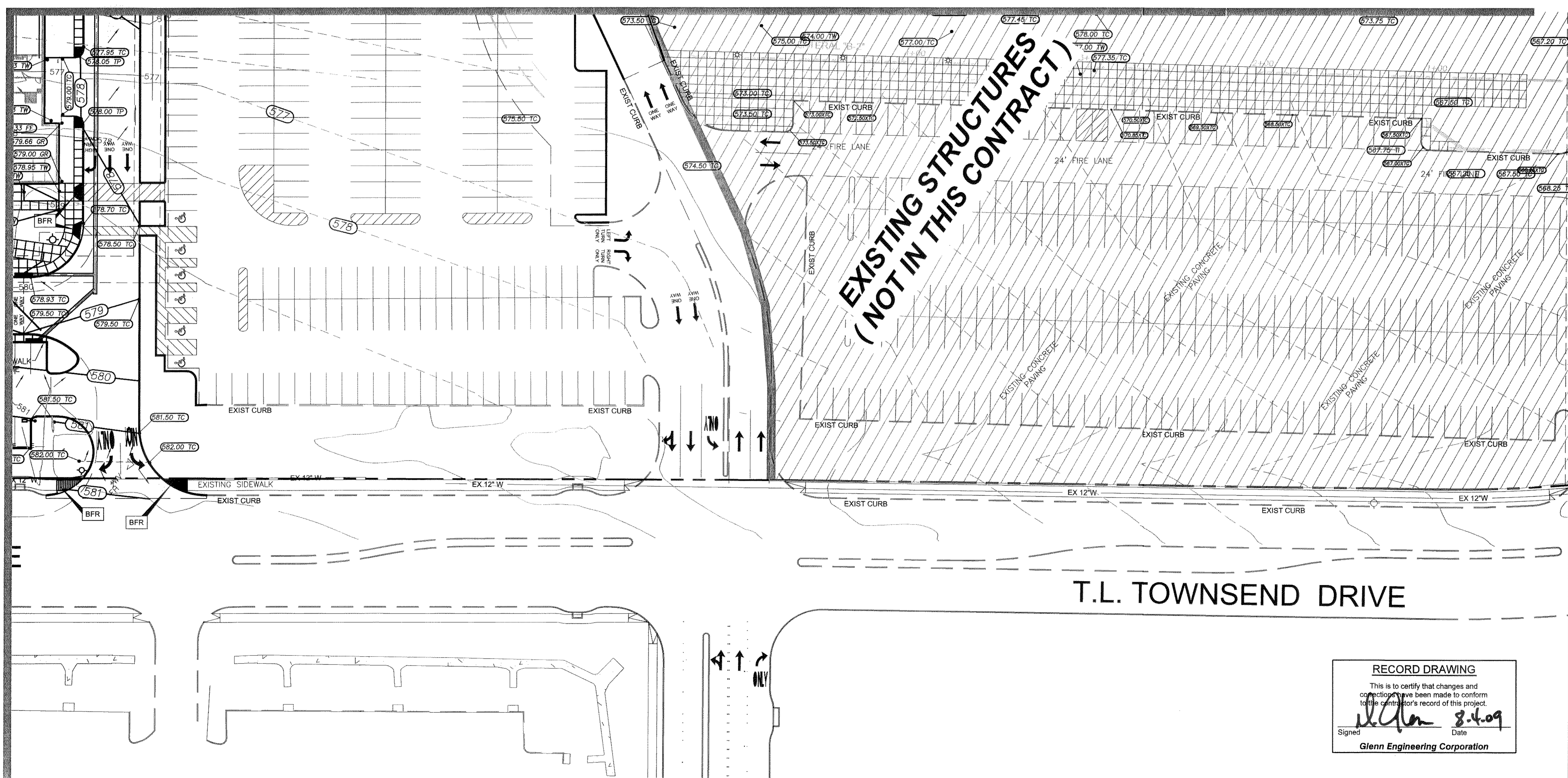
CG 1.06



MATCH LINE - CG 1.04 AND CG 1.05

MATCH LINE - CG 1.03

**EXISTING STRUCTURES
(NOT IN THIS CONTRACT)**



T.L. TOWNSEND DRIVE

RECORD DRAWING
This is to certify that changes and connections have been made to conform to the contractor's record of this project.
Signed: *Glenn* 8.4.09
Date: 8.4.09
Glenn Engineering Corporation

Project: Aug 3, 2008, 1:14 PM by user: dck. Sheet: 7/11/2008 by user: dck. Working: c:\pwworkspace\herman\middle\2008\ADDITIONS\HID SET\UTLEY_SCHMAT_REV01.dwg