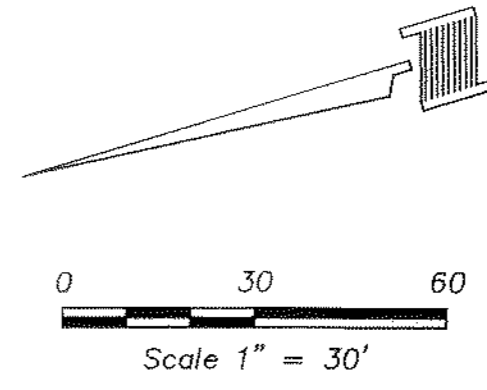


- WATER NOTES:**
1. WATER DISTRIBUTION SYSTEM MATERIAL AND CONSTRUCTION SHALL CONFORM TO THE CITY OF ROCKWALL STANDARDS.
 2. CONCRETE BLOCKING SHALL BE INSTALLED AT ALL BENDS, VALVES, AND FIRE HYDRANTS.
 3. ALL MAINS SHALL BE BURIED A MINIMUM DEPTH OF 42" BELOW TOP OF ADJACENT CURB OR AS DIRECTED BY THE ENGINEER.
 4. WATER PIPE SHALL BE PVC CLASS 200, PVC C-900 FOR SIZES UNDER 16" DIA. WATER PIPE SHALL BE PVC CLASS 230 PVC C-905 FOR SIZES 16" AND OVER IN DIA.
 5. CONTRACTOR SHALL NOTIFY ALL UTILITY COMPANIES PRIOR TO COMMENCING CONSTRUCTION. DAMAGE TO EXISTING UTILITIES SHALL BE REPAIRED AT CONTRACTOR'S EXPENSE.
 6. ALL FIRE HYDRANTS SHALL CONFORM TO THE REQUIREMENTS OF THE CITY OF ROCKWALL. CONTRACTOR SHALL NOTIFY ROCKWALL FIRE DEPARTMENT PRIOR TO PLACING OF PIPE TO ARRANGE FOR REQUIRED INSPECTIONS.
 7. CONTRACTOR TO VERIFY LOCATION OF ALL EXISTING WATER VALVES PRIOR CONNECTION TO EXISTING WATER SYSTEM.
 8. INSTALL BLUE 3M EMS DISKS AT ALL TEES AND BENDS ON WATER LINES. REFERENCE VALVE INSTALLATION DETAIL.
 9. FIRE HYDRANTS WILL HAVE A 5' CLEARANCE ON ALL SIDES.
 10. A 10' MINIMUM SEPARATION BETWEEN FIRE LINE AND ALL OTHER UTILITIES.

- SANITARY SEWER NOTES:**
1. CONTRACTOR SHALL NOTIFY ALL UTILITY COMPANIES AND OTHERS WHO MAY HAVE BURIED EQUIPMENT OR PIPELINES IN THE VICINITY OF CONSTRUCTION PRIOR TO COMMENCING CONSTRUCTION. DAMAGE TO EXISTING UTILITIES SHALL BE REPAIRED AT THE CONTRACTOR'S EXPENSE.
 2. CONTRACTOR SHALL VERIFY THE LOCATION AND DEPTH OF TIE-IN TO EXISTING SEWER SYSTEM. IF GRADES NEED REVISION DUE TO UNFORESEEN CONFLICTS, CONTRACTOR SHALL NOTIFY THE ENGINEER PRIOR TO LAYING PIPE.
 3. UNLESS OTHERWISE REQUIRED, ALL SANITARY SEWER PIPE, MANHOLES, AND RELATED APPURTENANCES SHALL CONFORM TO THE MATERIAL AND CONSTRUCTION SPECIFICATIONS AS SET FORTH IN THE CITY OF ROCKWALL STANDARD SPECIFICATIONS.
 4. PARTICULAR ATTENTION SHALL BE PAID TO THE INSTALLATION, EMBEDMENT, AND BACKFILL OF SEWER PIPE. ALL EMBEDMENT SHALL CONFORM TO CITY OF ROCKWALL CLASS 'B'.
 5. SPECIAL CARE SHALL BE TAKEN IN ADHERING TO THOSE SPECIFICATIONS REGARDING PIPE JOINTS, PIPE EMBEDMENT AND TESTING OF INSTALLED WATER AND SANITARY SEWER PIPES.
 6. SEWER PIPE SHALL BE PVC SDR 35.
 7. SERVICES SHALL BE 4" PVC, SDR 35, AND SHALL BE INSTALLED AS SHOWN.
 8. CONTRACTOR SHALL MEET ALL O.S.H.A. REQUIREMENTS REGARDING TRENCH SAFETY IN THE CONSTRUCTION OF THIS SEWER SERVICE.



RECORD DRAWING
 This is to certify that changes and corrections have been made to conform the contractor's record of this project.
 Signed: *J. Chen* Date: *8-4-09*
 Glenn Engineering Corporation

SHWGROUP
 ARCHITECTS | ENGINEERS | PLANNERS

CIVIL:
 GLENN ENGINEERING, INC.

STRUCTURAL:
 SHW GROUP LLP

MEP:
 ESTES, McCLURE & ASSOCIATES

LANDSCAPING:
 GRUBBS-RAMSEY, INC.

FOOD SERVICE:
 JMK DESIGNS

AQUATICS:
 AQUATIC EXCELLENCE

FINAL PLANS
 FOR BIDDING AND CONSTRUCTION

STATE OF TEXAS
 MINE GREEN
 3605
J. Chen
 8-4-09

Rockwall ISD

HERMAN E. UTLEY MIDDLE SCHOOL

CHECKED:
 File:
 © 2008 SHW Group LLP
 ISSUE: 08/22/2008

1	09/19/08	CITY REVISIONS #1
2	08/28/08	CITY REVISIONS #2
3	10/01/08	CITY REVISIONS #3
4	10/13/08	REVISIONS #4
5	11/18/08	GRADING REVISIONS
6	12/02/08	UTILITY REVISIONS
7	01/14/09	GRADING REVISIONS
8	02/26/09	GRADING REVISIONS
9	05/20/09	COURTYARD STORM
10	07/27/09	RECORD SET

Sheet Title:
UTLEY EAST WATER AND SEWER PLAN

CU 1.01

Plotted: Aug 3, 2009, 1:20 PM by user: nck. Saved: 7/31/2009 by user: nck.
 \\bpc-cv-01\cadd\rockwall\utley\0808_ADDITONS\810 SEP1008 UTLEY SCH-ME-REV.dwg