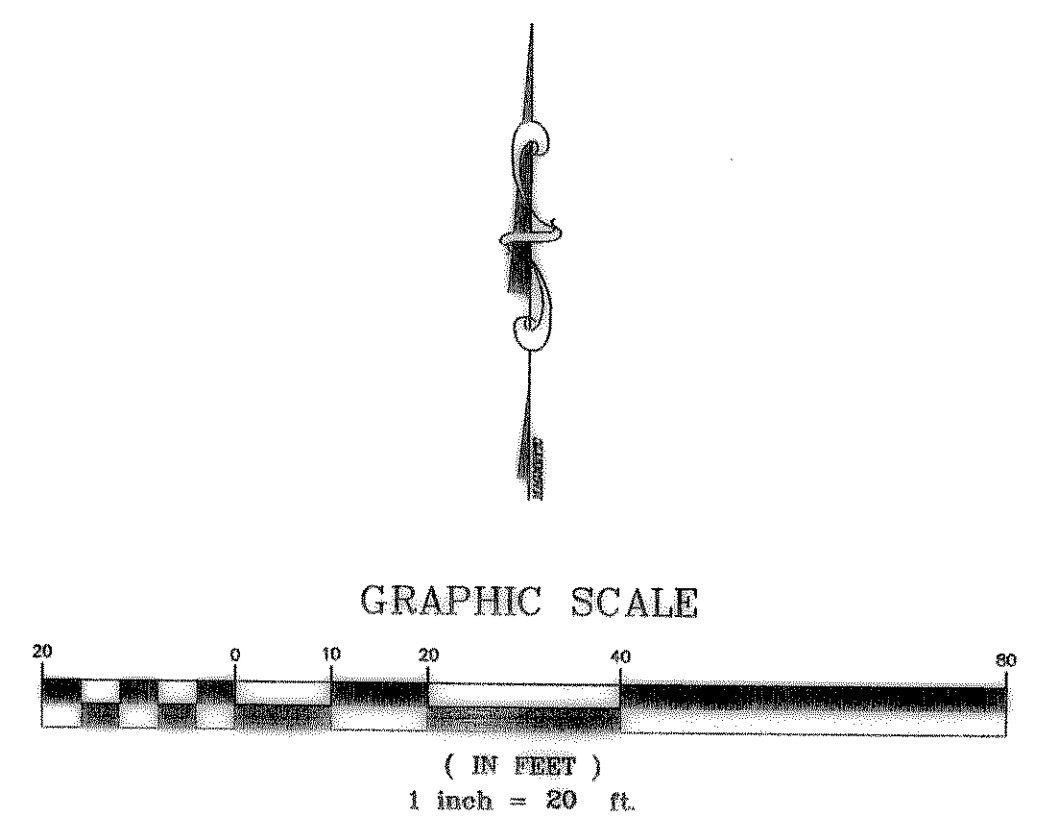
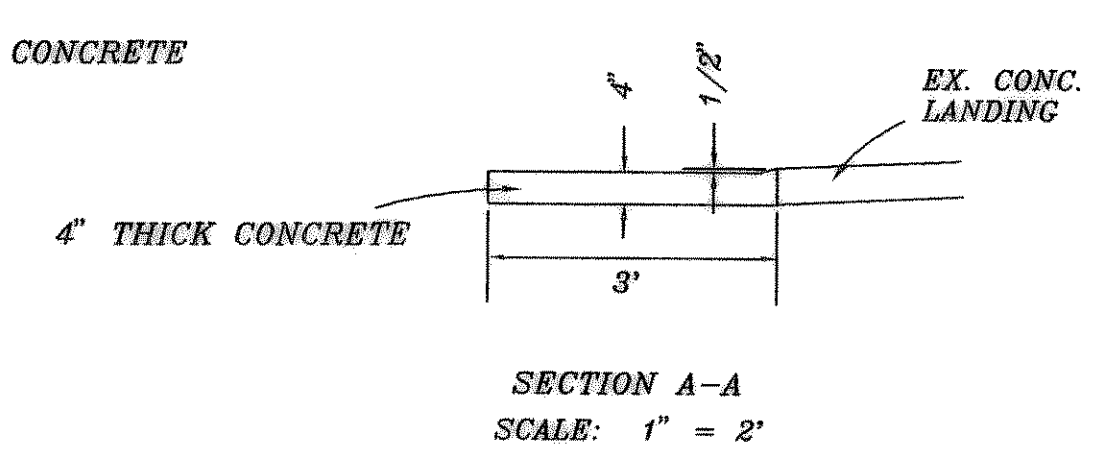
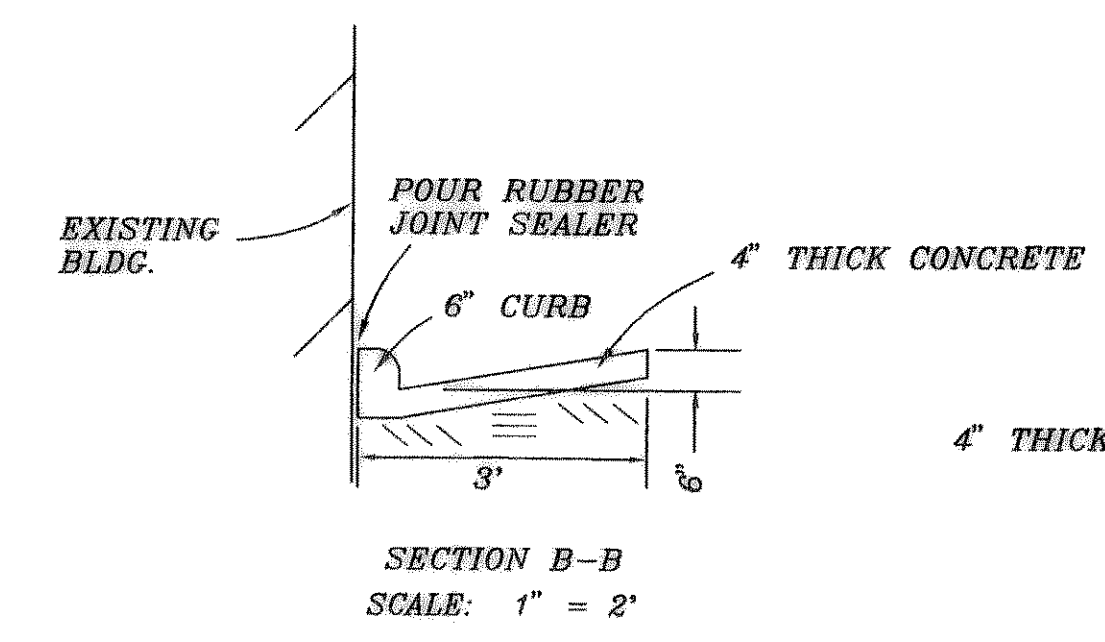
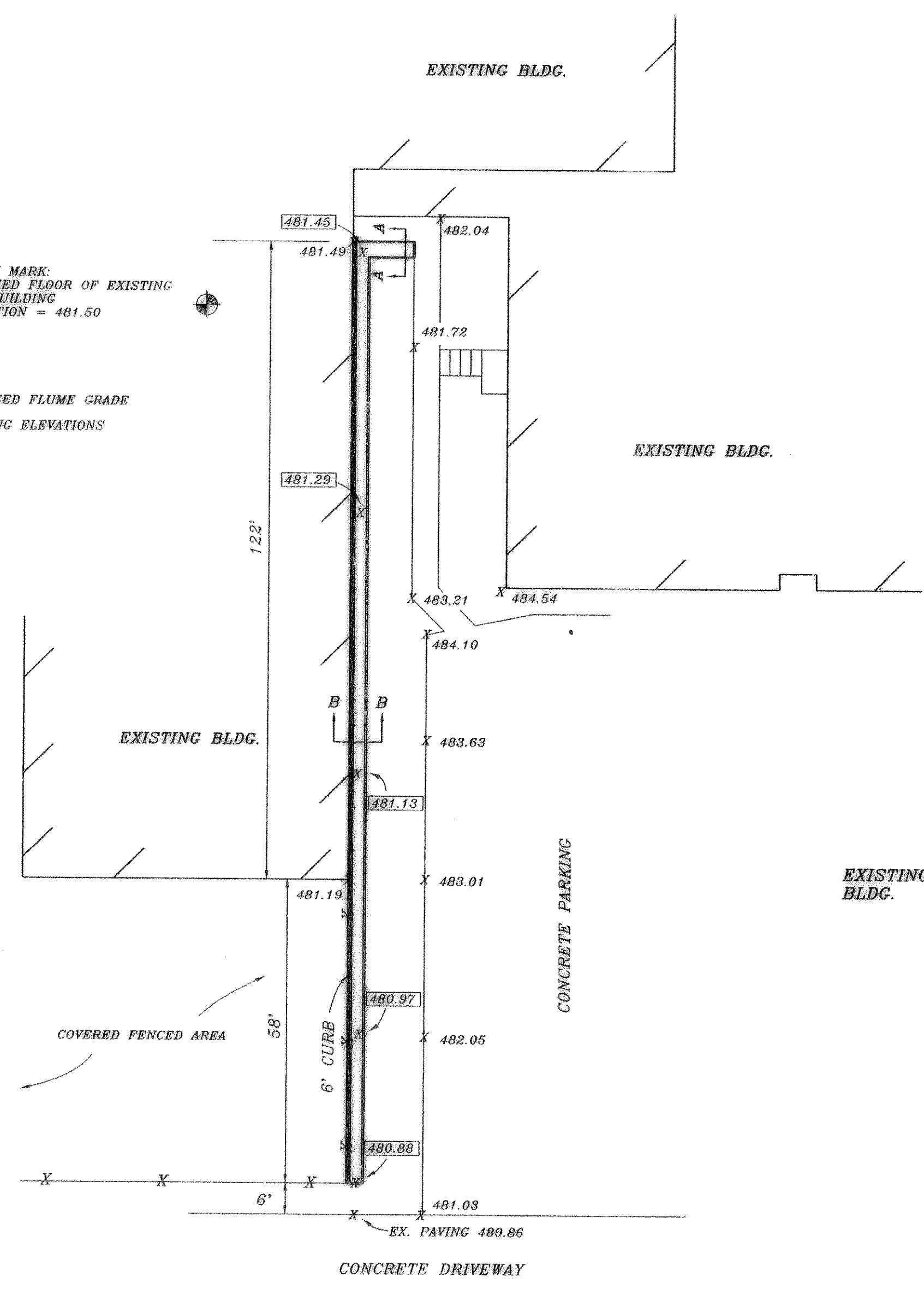


BENCH MARK:
FINISHED FLOOR OF EXISTING
JAIL BUILDING
ELEVATION = 481.50

481.29 = PROPOSED FLUME GRADE
X 481.49 = EXISTING ELEVATIONS



AS BUILT

[Signature]
1-2000

REVISION DESCRIPTION		DATE	SCALE	DESIGN	DRAWN	SHEET NO. 9906
		1-14-2000	1" = 20' 1" = 6'	H.L.E.		
HAROLD L. EVANS CONSULTING ENGINEER P.O. BOX 28355 2331 GUS THOMASSON ROAD, SUITE 102 DALLAS, TEXAS 75228, (214) 328-8133		DRAINAGE FLUME DETAIL		ROCKWALL COUNTY		JOB NO. 9906
		LAW ENFORCEMENT CENTER		CITY OF ROCKWALL		