

Revision No.	Date	Description
3	05/05/10	Changed 27" RCP to 24" RCP

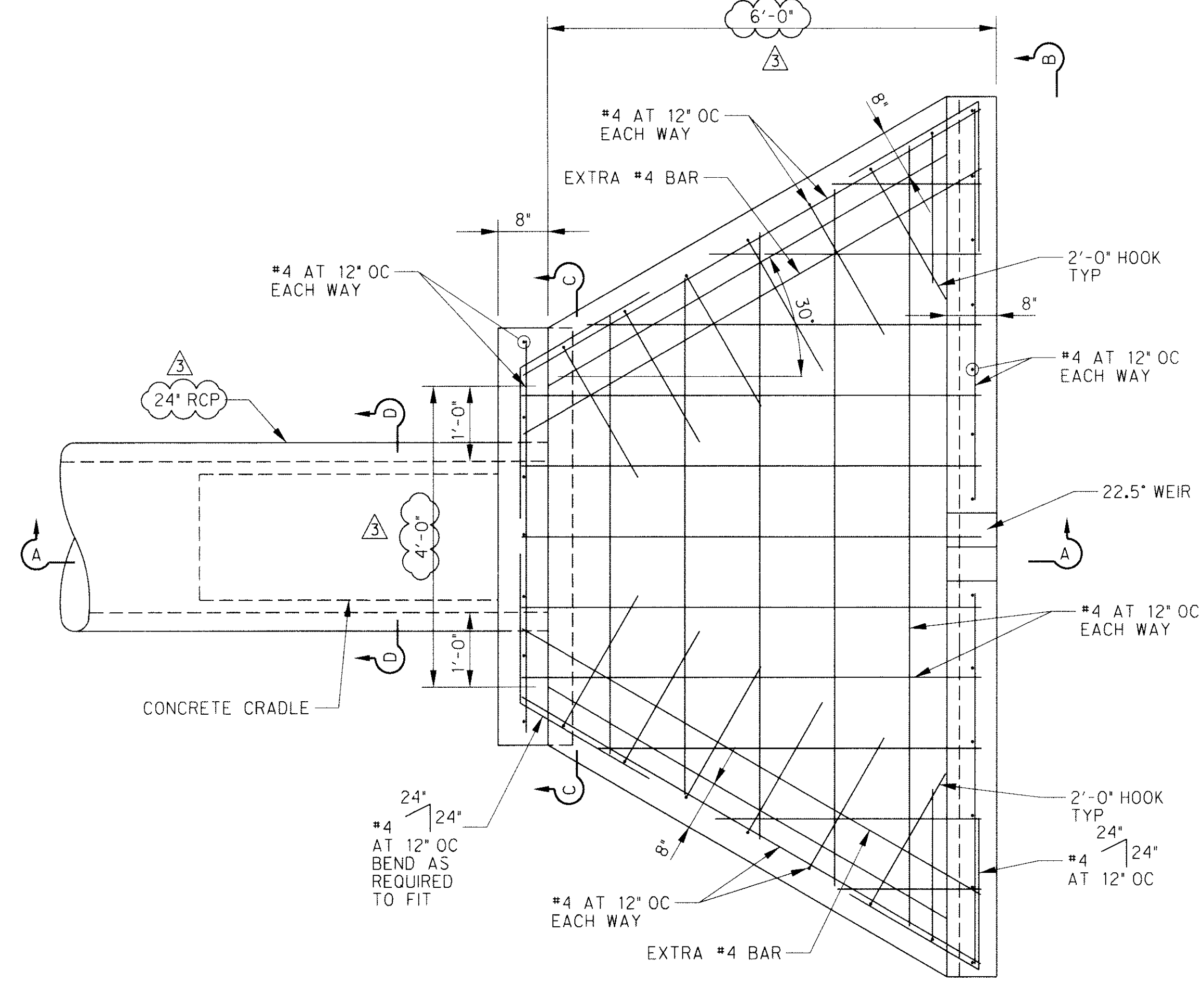
RECORD DRAWING
APRIL, 2011
These Record Documents have been prepared based upon information provided by Manhattan Construction. The Design Professional has not verified the accuracy and / or completeness of this information and shall not be responsible for any errors or omissions which may be incorporated herein as a result of this information. Design Consultant: Halff Associates, Inc.
RECORD DRAWING SUBMITTAL



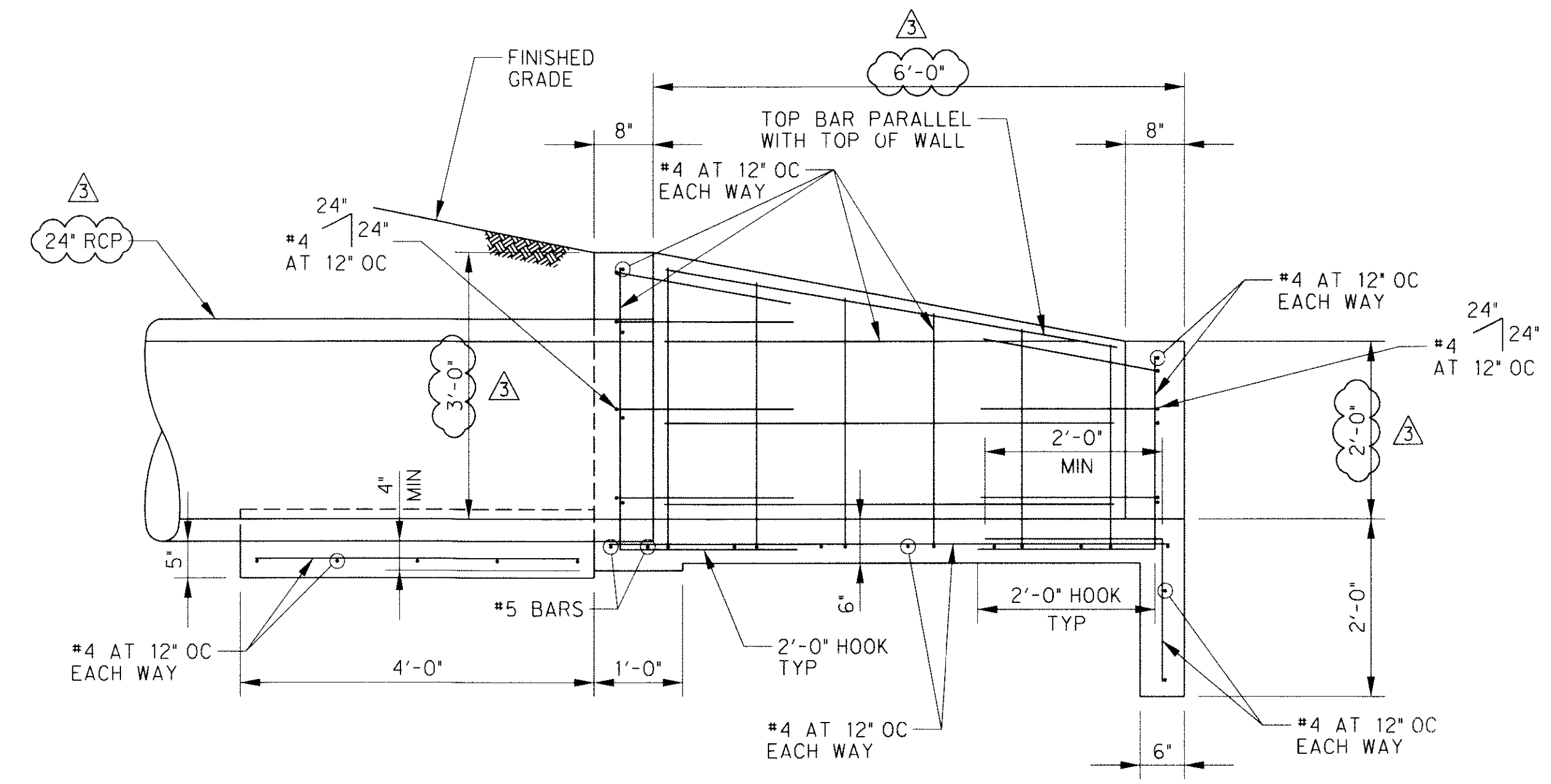
Project No.:	26244
Issued:	APRIL 2011
Drawn By:	BJG
Checked By:	SBC
Scale:	AS NOTED

Sheet Title
WEIR DETAILS

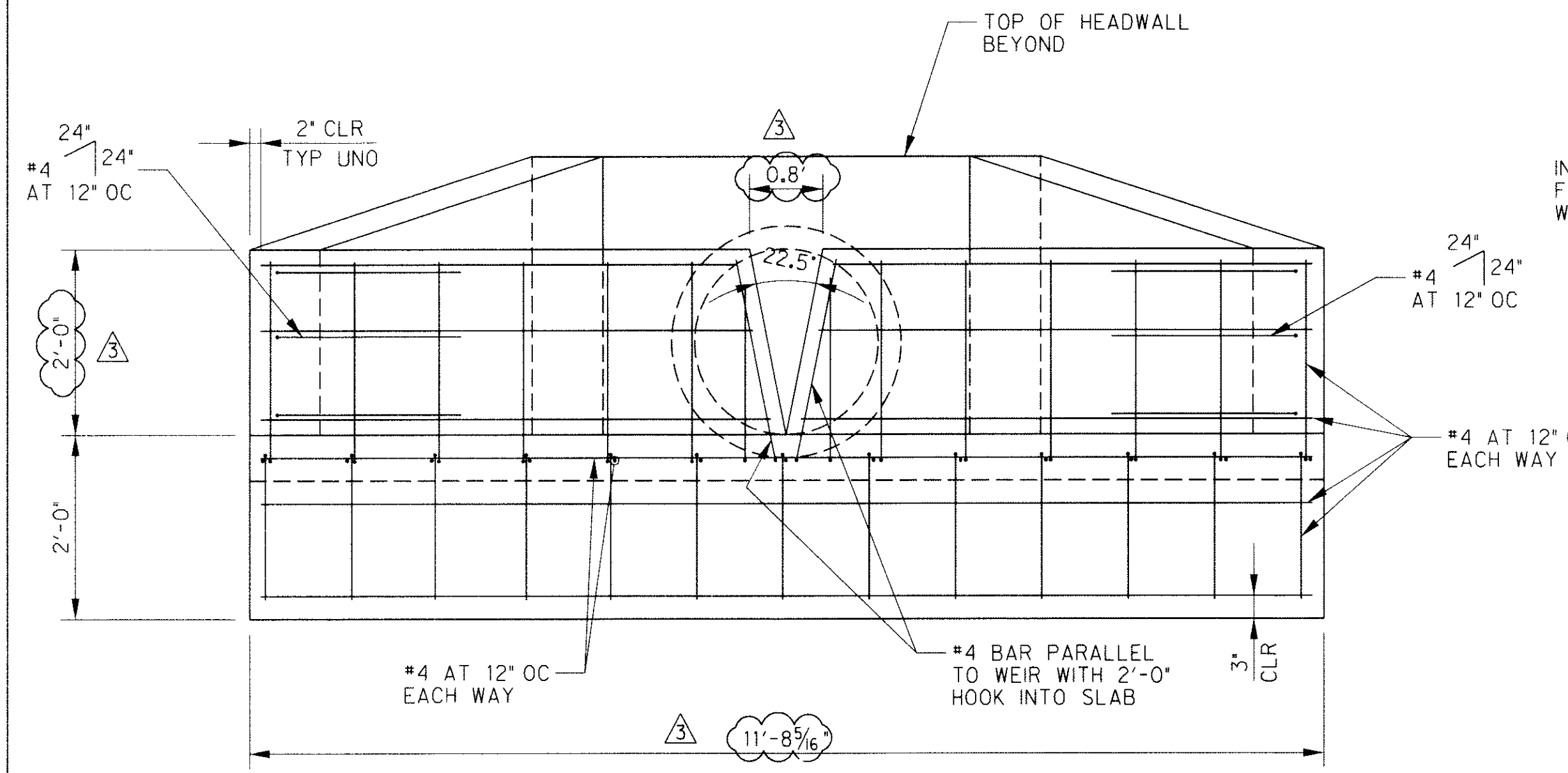
S2.01
Sheet Number



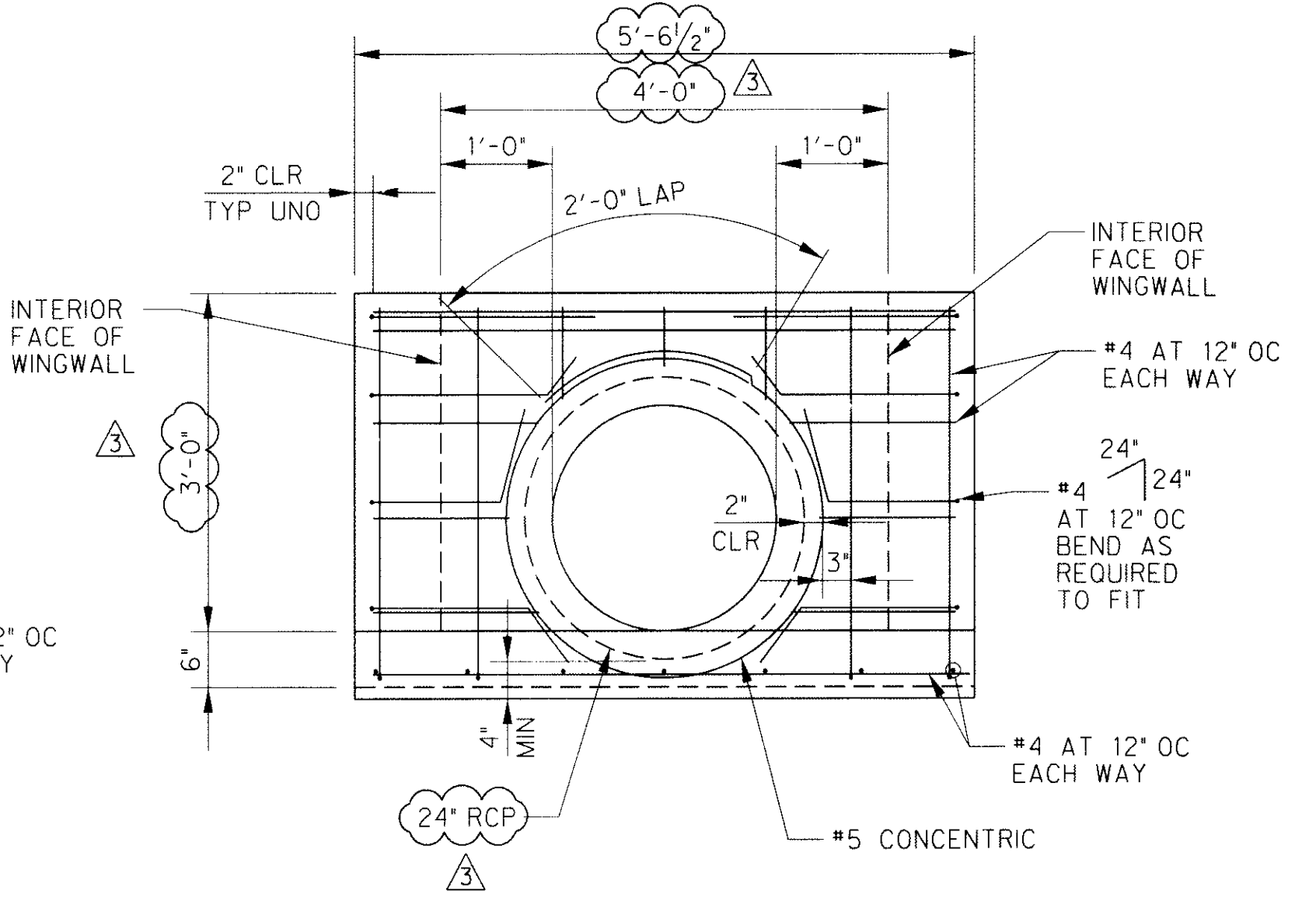
HEADWALL PLAN
SCALE: 3/4" = 1'-0"



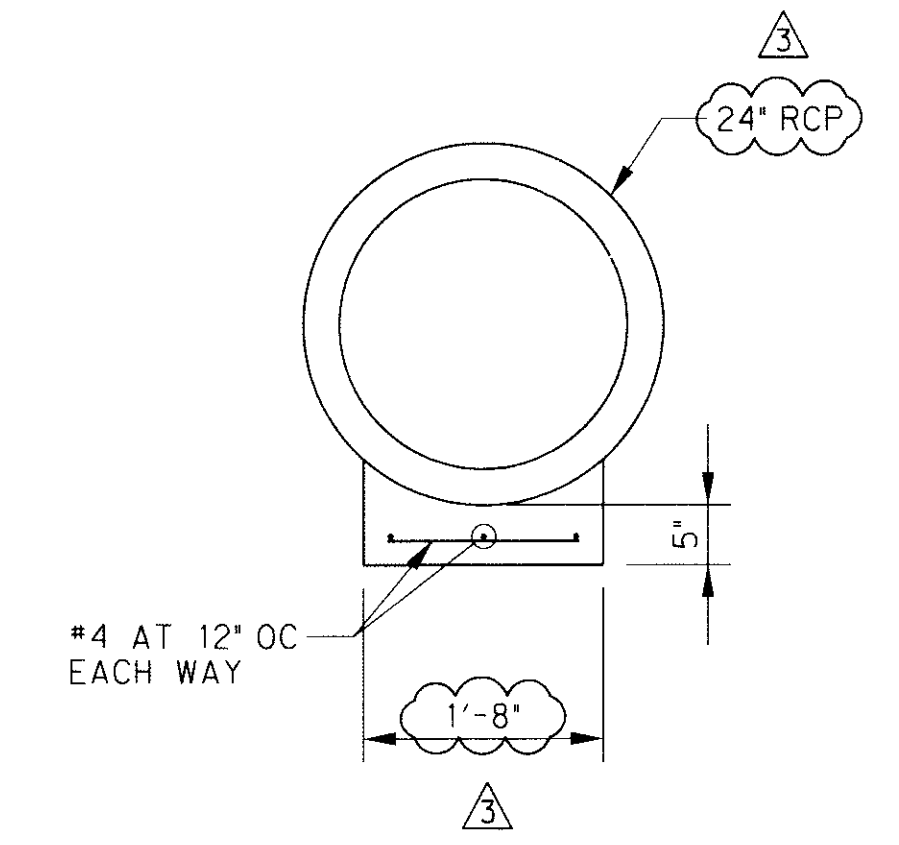
SECTION A-A
SCALE: 3/4" = 1'-0"



SECTION B-B
SCALE: 3/4" = 1'-0"



SECTION C-C
SCALE: 3/4" = 1'-0"



SECTION D-D
SCALE: 3/4" = 1'-0"

NOTE: REFER TO CIVIL DRAWINGS FOR ALL FLOW LINE ELEVATIONS.
REFER TO S0.01 FOR GENERAL STRUCTURAL NOTES.

SDATES STIMES SUSERS&CLIENTS \$FILELS SMODELNAMES SPLTDRVSS