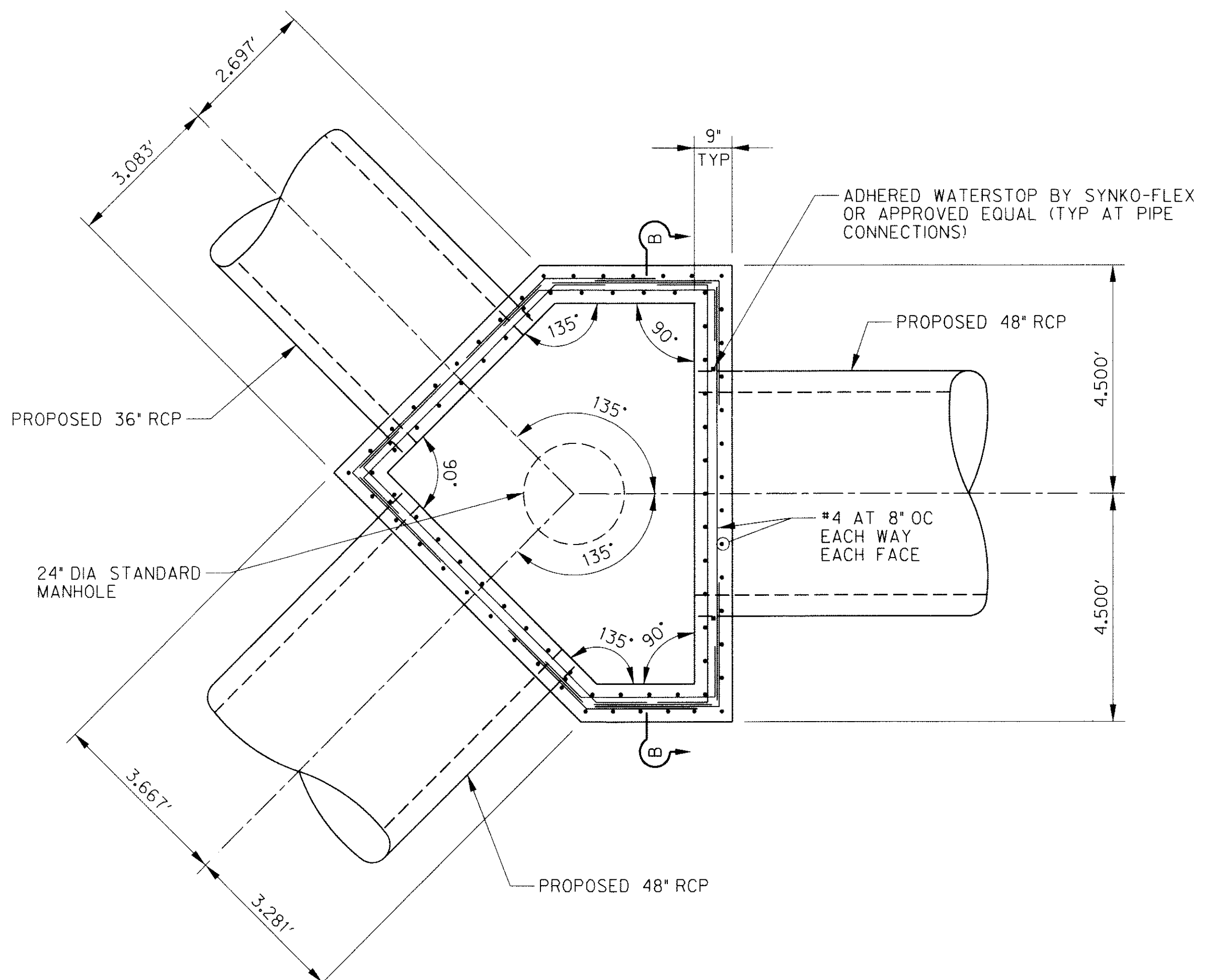
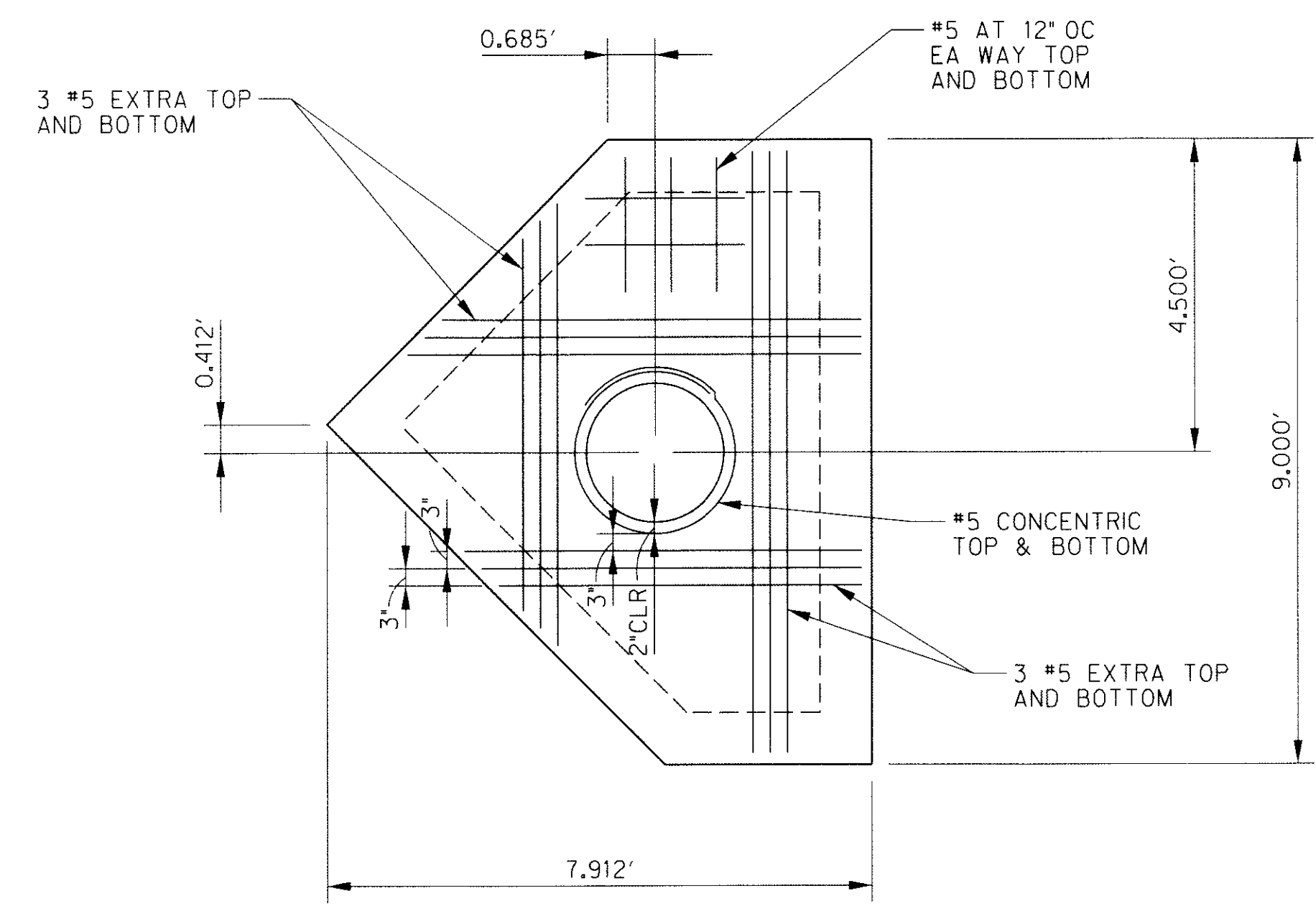


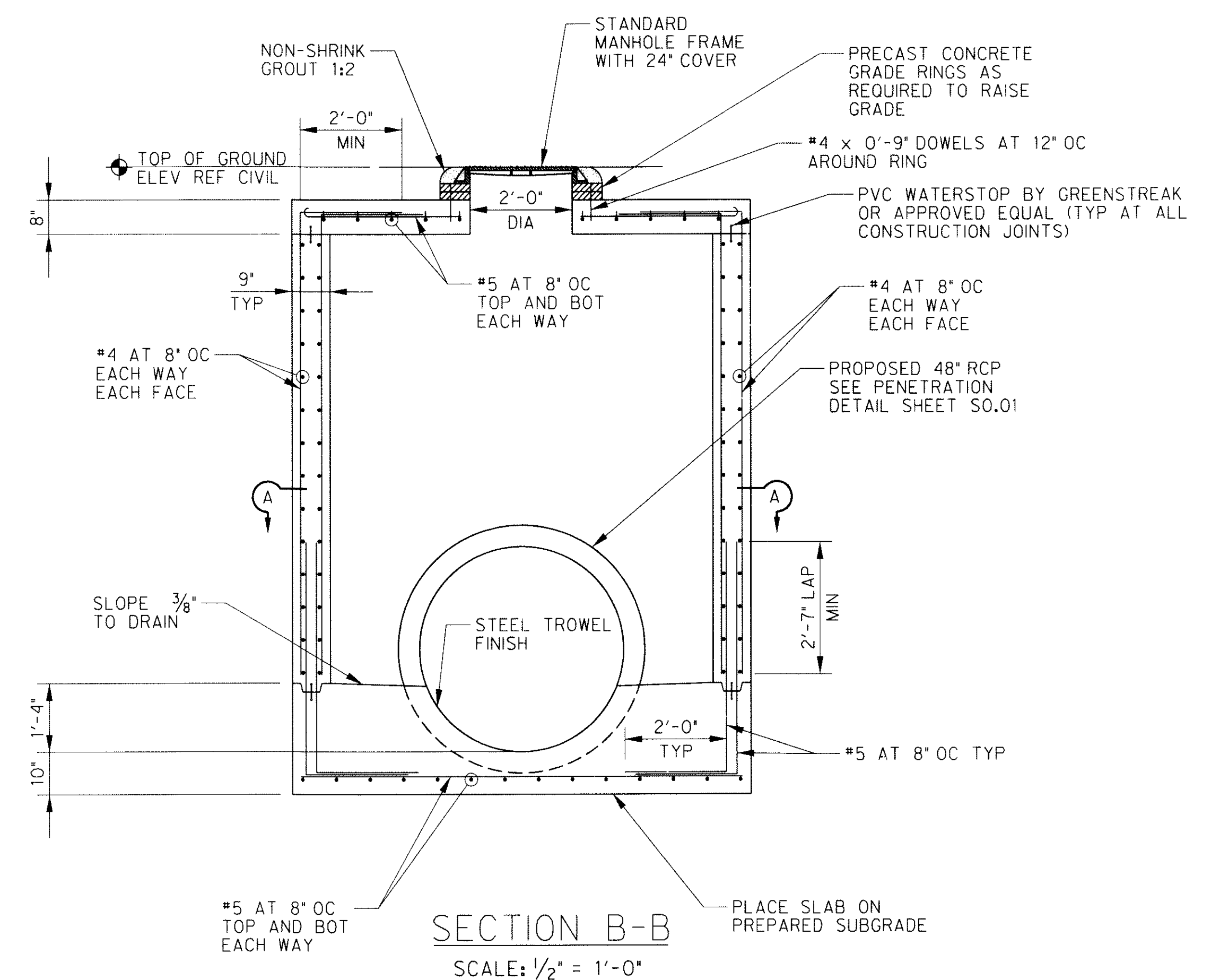
BOTTOM SLAB PLAN
SCALE: 1/2" = 1'-0"



SECTION A-A
SCALE: 1/2" = 1'-0"



TOP SLAB PLAN
SCALE: 1/2" = 1'-0"



SECTION B-B
SCALE: 1/2" = 1'-0"

NOTE: REFER TO CIVIL DRAWINGS FOR ALL FLOW LINE ELEVATIONS.

ROCKWALL COUNTY
COURTHOUSE
ROCKWALL COUNTY
ROCKWALL, TEXAS



Revision No.	Date	Description

RECORD DRAWING
APRIL, 2011
These Record Documents have been prepared based upon information provided by Manhattan Construction. The Design Professional has not verified the accuracy and / or completeness of this information and shall not be responsible for any errors or omissions which may be incorporated herein as a result of Design Consultant: Half Associates, Inc.
RECORD DRAWING SUBMITTAL



Project No:	26244
Issued:	APRIL 2011
Drawn By:	BJG
Checked By:	SBC
Scale:	AS NOTED
Sheet Title	JUNCTION BOX DETAILS
Sheet Number	S1.01

SDATES \$TIMES \$USERSCLIENTS\$FILES \$MODELNAME\$ \$PLTDRVS\$