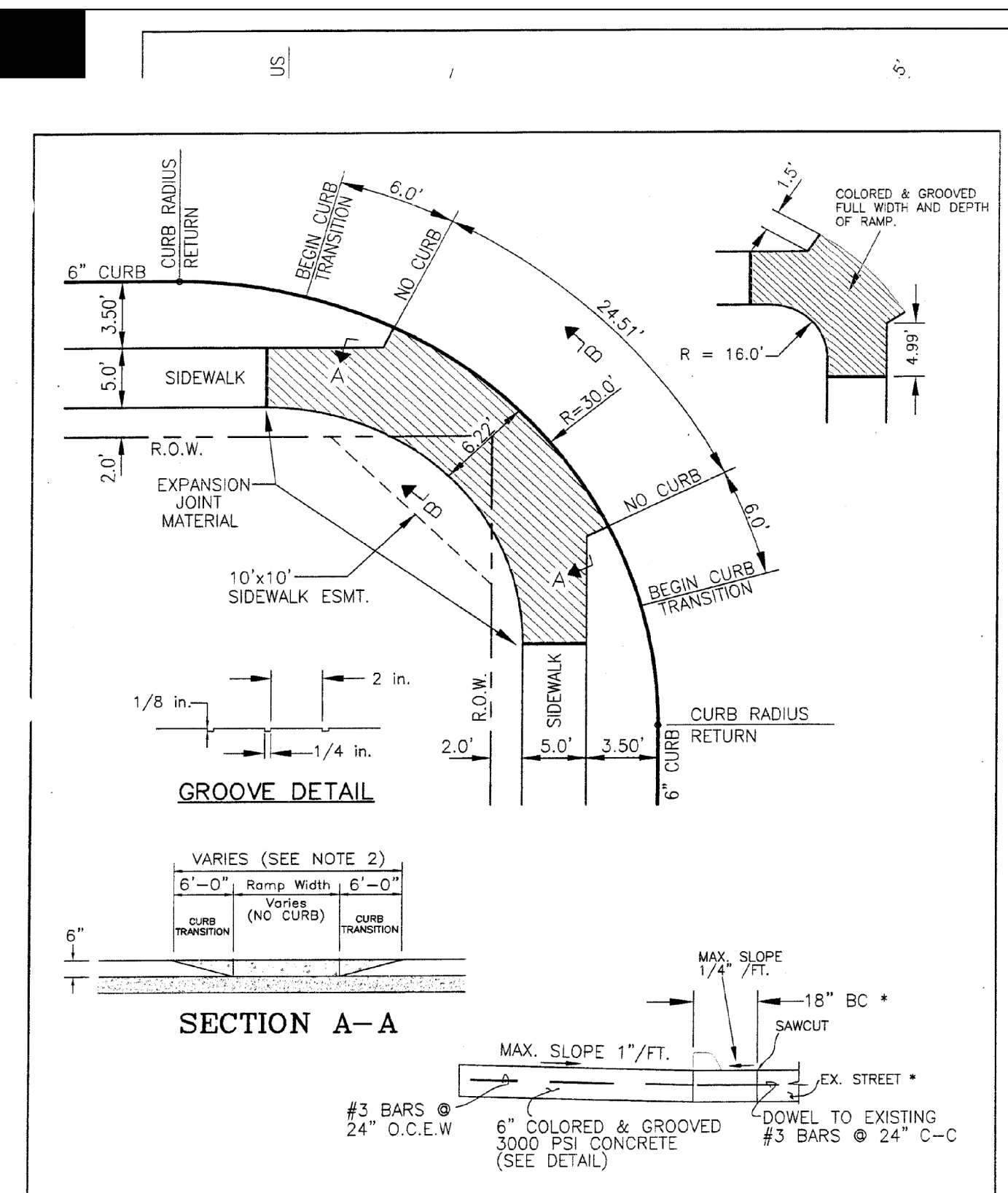


- GENERAL NOTES
1. MAXIMUM SLOPE ON BARRIER FREE RAMPS SHALL NOT EXCEED 1" PER FOOT AT ANY LOCATION.
  2. DESIGNS SHOWN ARE FOR 6" CURBS, FOR CURBS GREATER THAN 6" DIMENSIONS SHALL BE INCREASED PROPORTIONATELY.
  3. STREETS ON STEEP GRADE WILL REQUIRE LONGER CURB TRANSITIONS. IT IS THE DESIGN ENGINEER'S RESPONSIBILITY TO INSURE THAT THIS DETAIL WILL WORK.
  4. LOCATIONS OF BARRIER FREE RAMPS MAY BE SHIFTED TO CLEAR OBSTRUCTIONS, WITH APPROVAL FROM THE CITY.
  5. CONCRETE TO HAVE A MINIMUM 3000 P.S.I. COMPRESSIVE STRENGTH AT 28 DAYS.
  6. REINFORCEMENT TO BE #3 BARS AT 24" O.C.E.W.
  7. GROOVES MUST BE CLEAN AND STRAIGHT FOR CLEAR DETECTION BY TOUCH WITH A CANE AND PARALLEL TO CROSSWALKS.
  8. FOR PURPOSES OF WARNING, THE FULL WIDTH AND DEPTH OF CURB RAMPS SHALL HAVE A LIGHT REFLECTIVE VALUE AND TEXTURE THAT SIGNIFICANTLY CONTRASTS WITH THAT OF ADJOINING PEDESTRIAN ROUTES. CITY SHALL APPROVE MATERIALS AND COLOR SHALL BE CHROMIX ADMIXTURES QUARRY RED, C-32 (CHROMIX IS MANUFACTURED BY THE L.M. SCOFIELD CO. (800)800-9900 OR APPROVED EQUAL.

GENERAL NOTES  
FOR BARRIER FREE RAMPS

CITY OF ROCKWALL  
"THE NEW HORIZON"

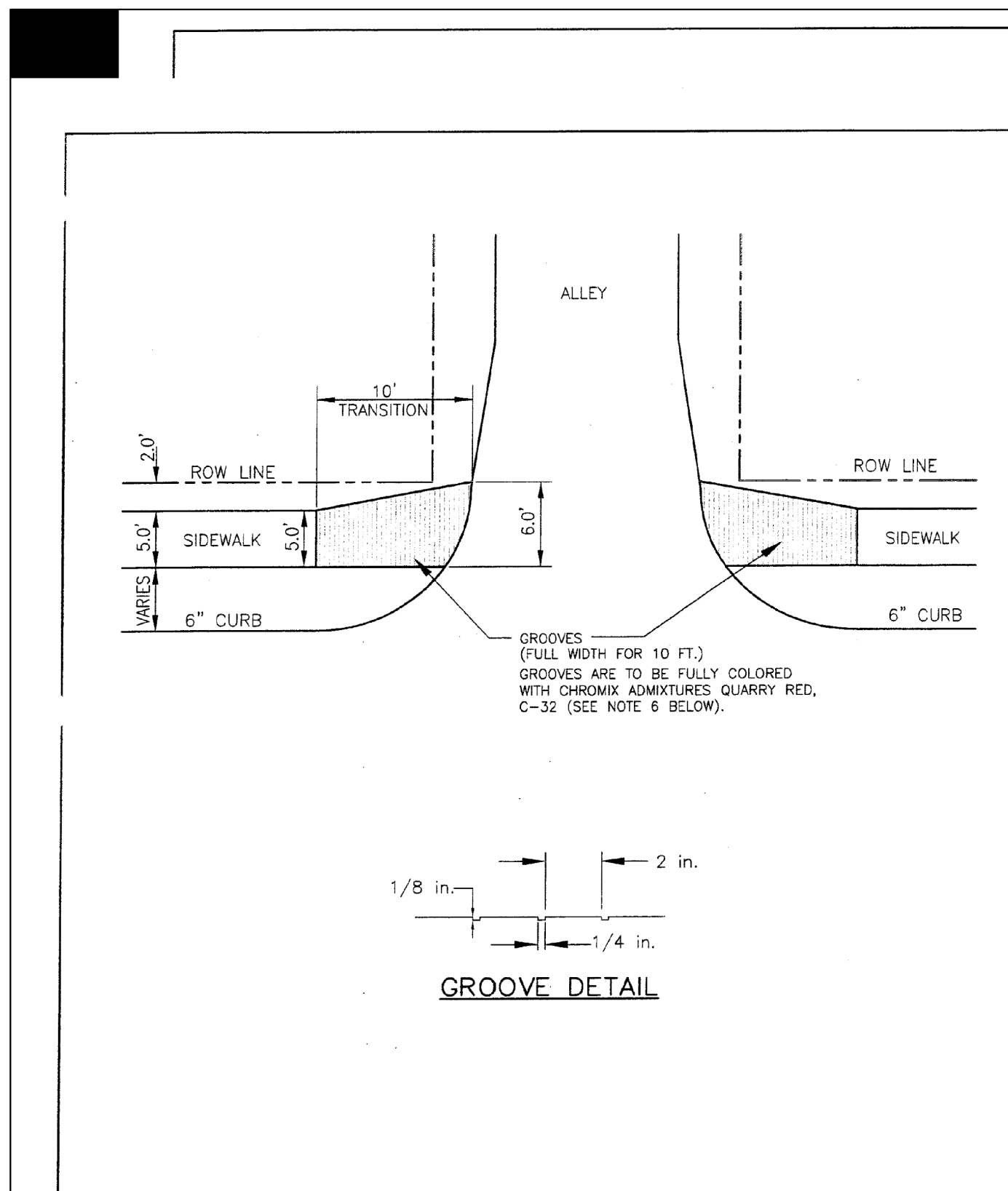
SCALE: NONE  
DATE: AUG. 03  
DRAWING NAME: HANDECAP-2



BARRIER FREE RAMP  
FOR 5.0' WIDE SIDEWALK  
MAJOR & MINOR ARTERIALS (30.0' RADIUS)

CITY OF ROCKWALL  
"THE NEW HORIZON"

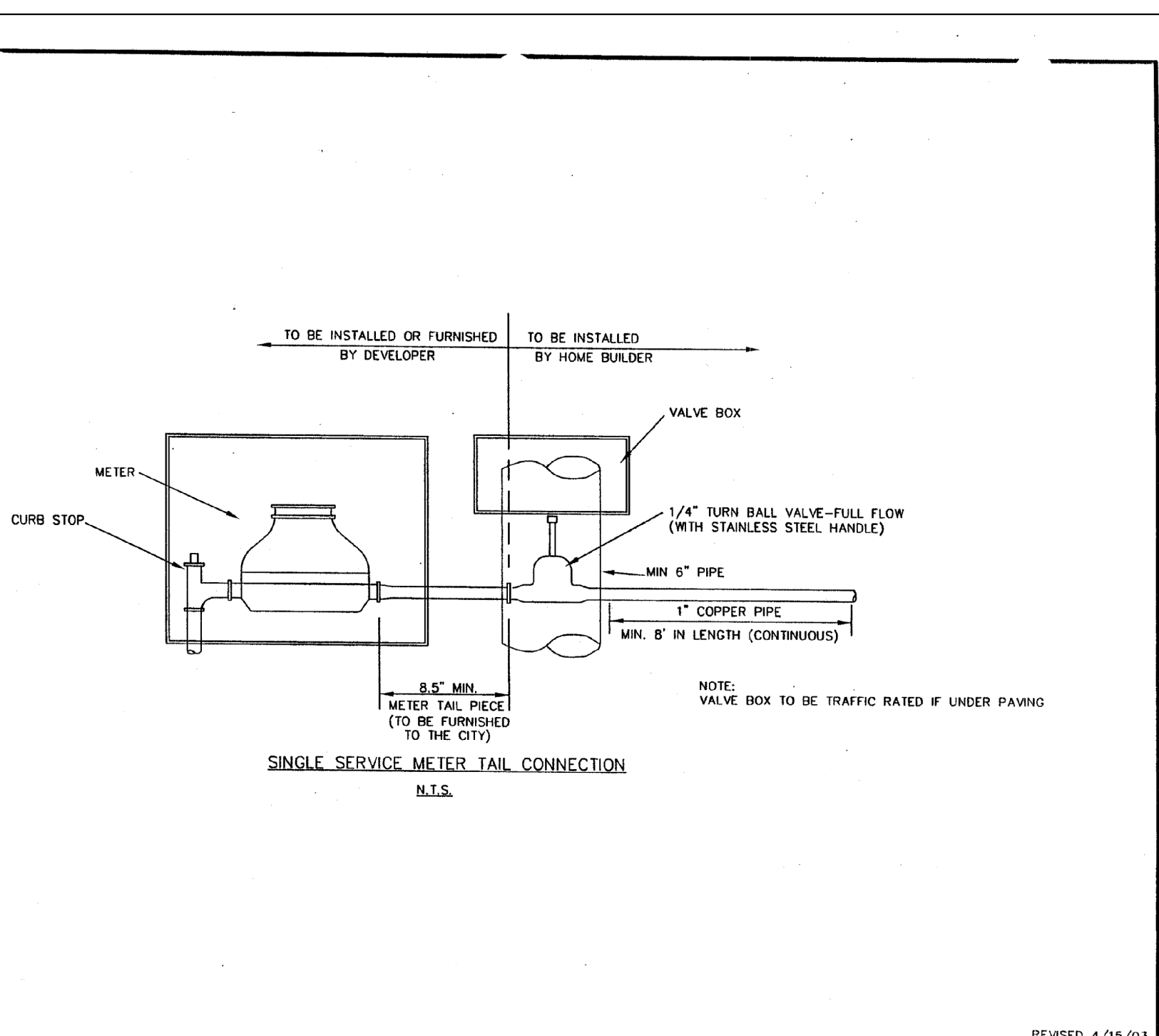
SCALE: NONE  
DATE: 8/03  
DRAWING NAME: HANDECAP-1



BARRIER FREE RAMP  
ALLEY INTERSECTIONS

CITY OF ROCKWALL  
"THE NEW HORIZON"

SCALE: NONE  
DATE: 8/03  
DRAWING NAME: HANDECAP-2



SINGLE SERVICE METER TAIL CONNECTION  
N.T.S.

REVISED 4/15/03

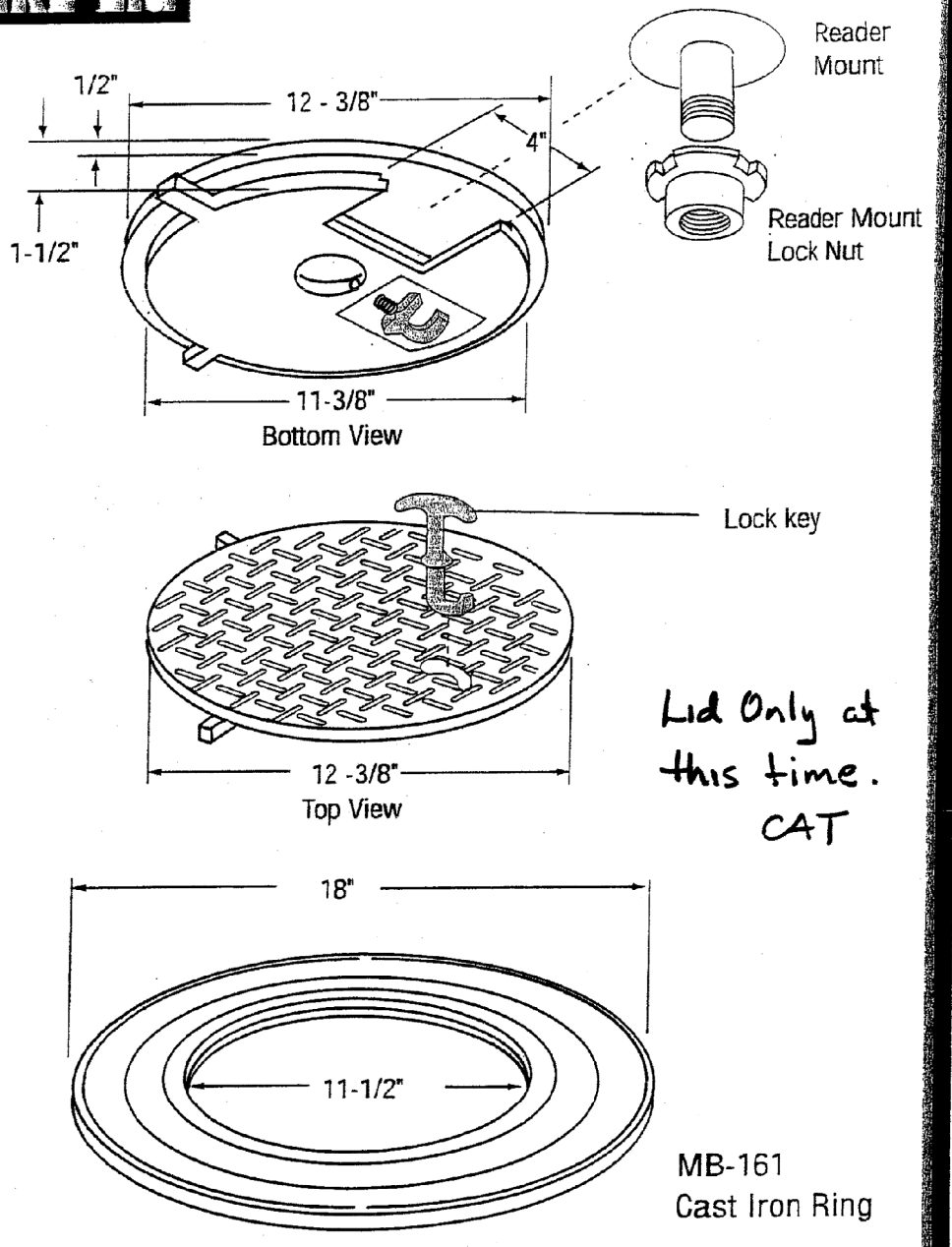
Rotec Meter and Valve Box Series

Rotec Meter and Valve Box Series

DFW-18-AMRL-Lid

"E" Series Lid

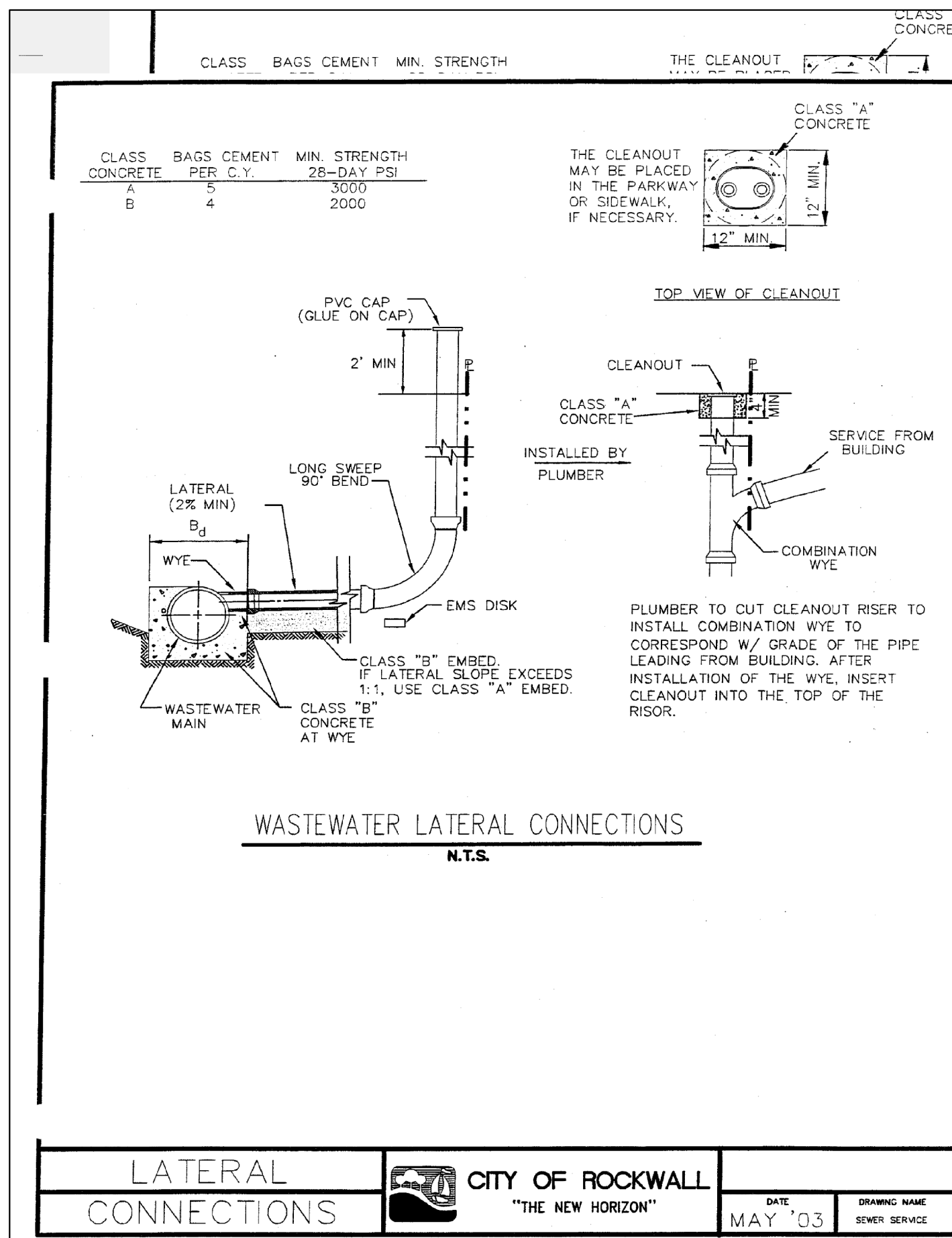
- Flush Mount lid that fits a Cast Iron Ring
- AMR transponder slides into a molded holder under the lid to provide security and strength
- Lid has ability to custom fit most Cast Iron Rings
- Skid resistant surface texture
- Spring loaded locking device
- Security bracket option available
- "Itron" slide mount available



Lid Only at this time. CAT

Made in USA  
Pat. Pending

DFW PLASTICS, INC. P.O. Box 648 - Bedford, Texas 76095 - USA - 817.439.3600 - Fax 817.439.3700



LATERAL CONNECTIONS

CITY OF ROCKWALL  
"THE NEW HORIZON"

SCALE: NONE  
DATE: MAY 03  
DRAWING NAME: SEWER SERVICE

RECORD DRAWINGS BASED ON  
FIELD SURVEY (12/05) AND  
CONTRACTOR INFORMATION ONLY.

02-08-06 RECORD DRAWINGS

RIDGE ROAD  
TOWN  
CENTRE  
ROCKWALL, TEXAS

Vigor  
PROPERTIES INC.  
Ridge Road Town Centre  
Partners, L.P.  
by its General Partners:  
RIDGE ROAD  
PARTNERS L.L.C.

Half Associates, Inc.  
ENGINEERS • ARCHITECTS • SCIENTISTS • PLANNERS • SURVEYORS  
866 NORTHWEST PLAZA DRIVE  
SUITE 200  
DALLAS, TEXAS 75225  
TEL (214) 324-4200  
FAX (214) 739-0095

Project No: AVO # 20817  
Issued:

Revisions:	No.	Date	Description
1	110402		FIRST SUBMITTAL
2	40803		SECOND SUBMITTAL
3	50903		THIRD SUBMITTAL
4	60903		FOURTH SUBMITTAL
5	70204		FIFTH SUBMITTAL
7	102804		SEVENTH SUBMITTAL

Drawn by:  
Checked by:  
Sheet Title:

PROJECT DETAILS

C6.5  
Sheet Number