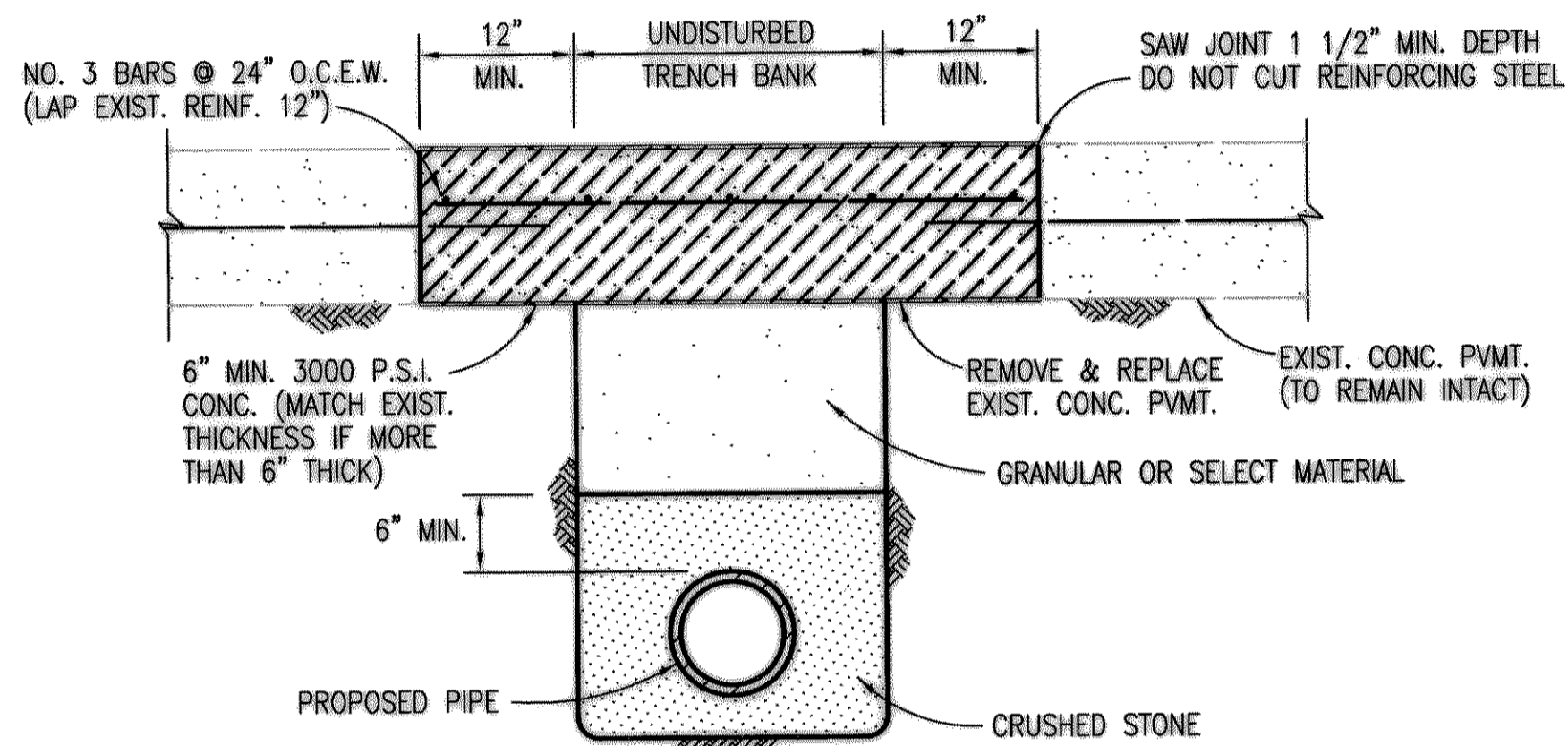
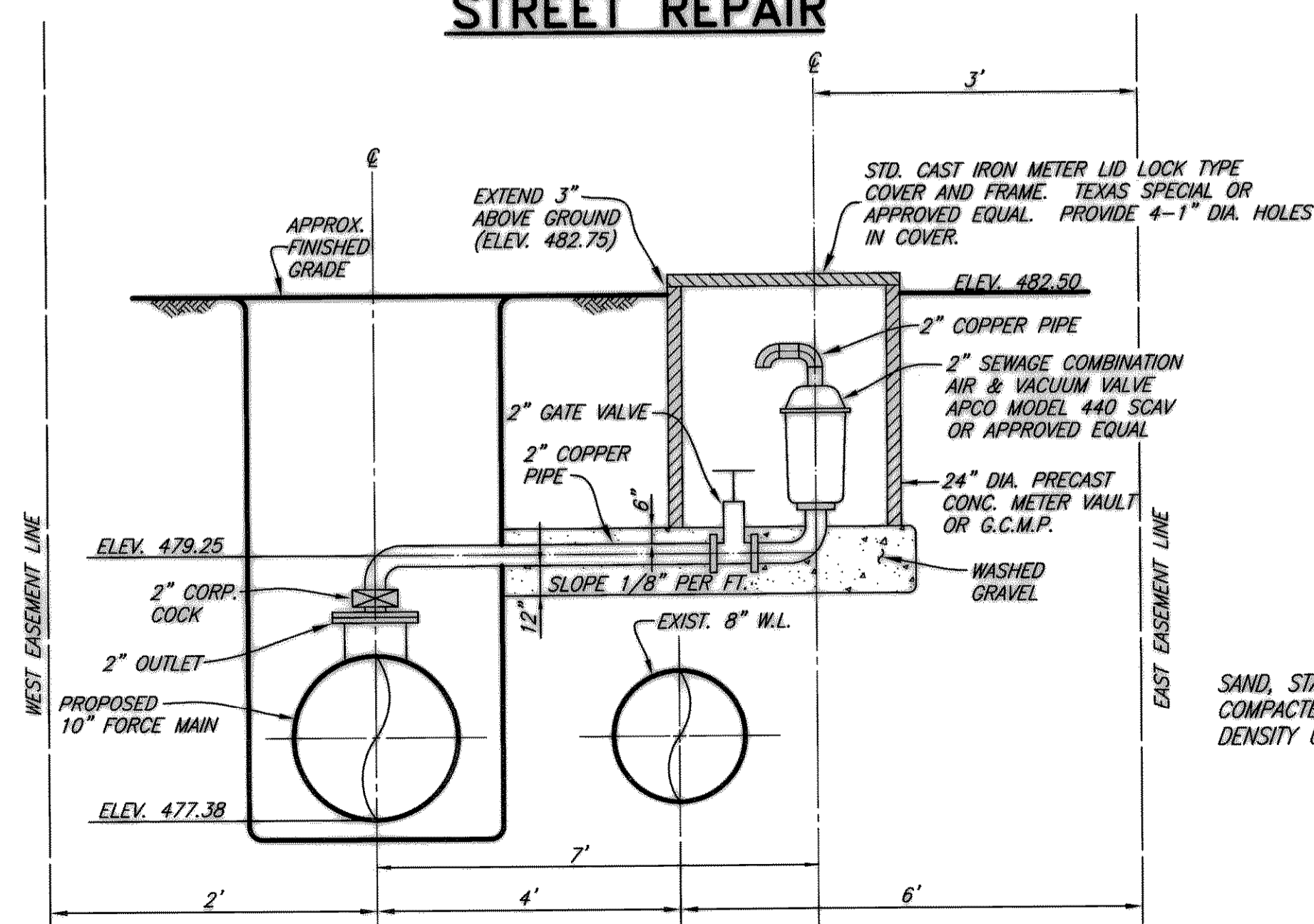


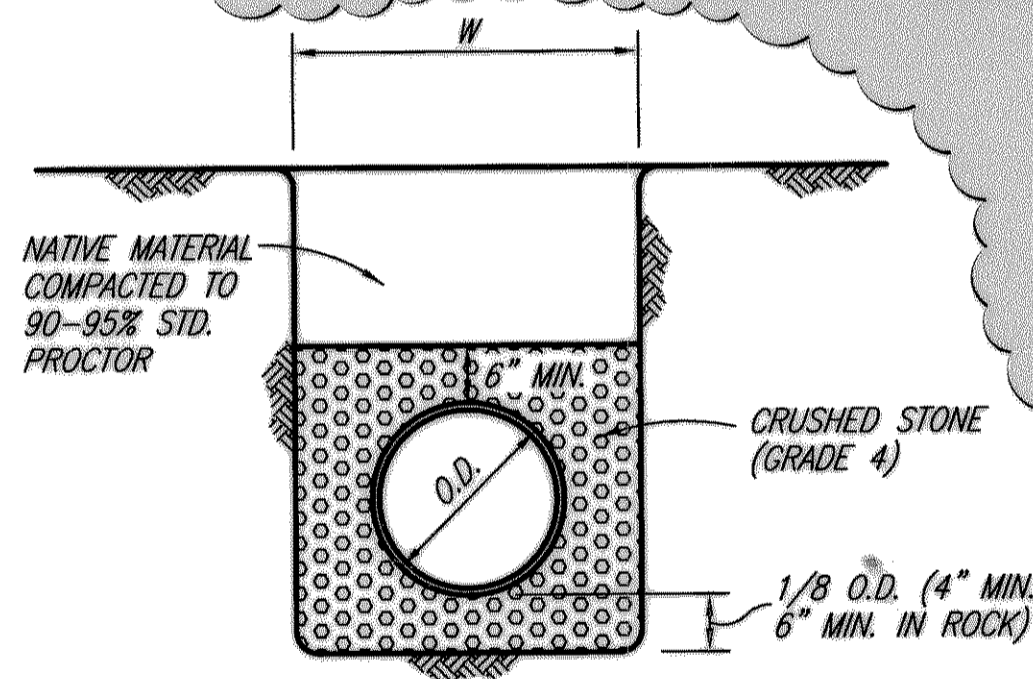
ASPHALT STREET REPAIR



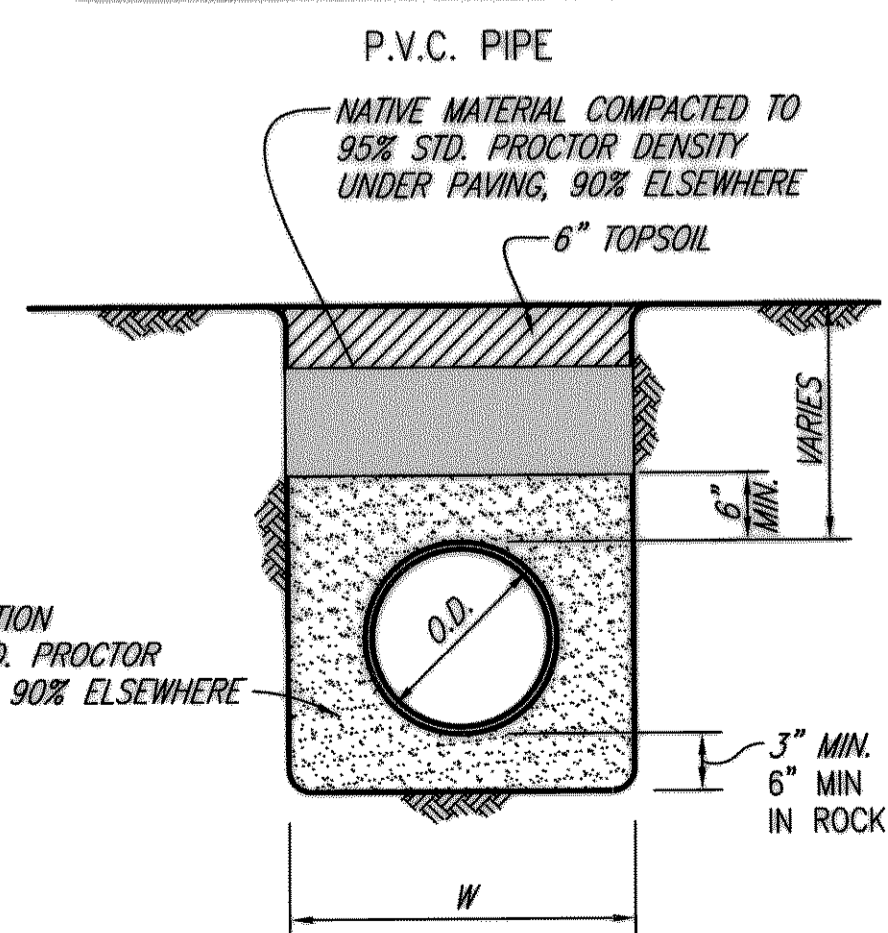
CONCRETE STREET REPAIR



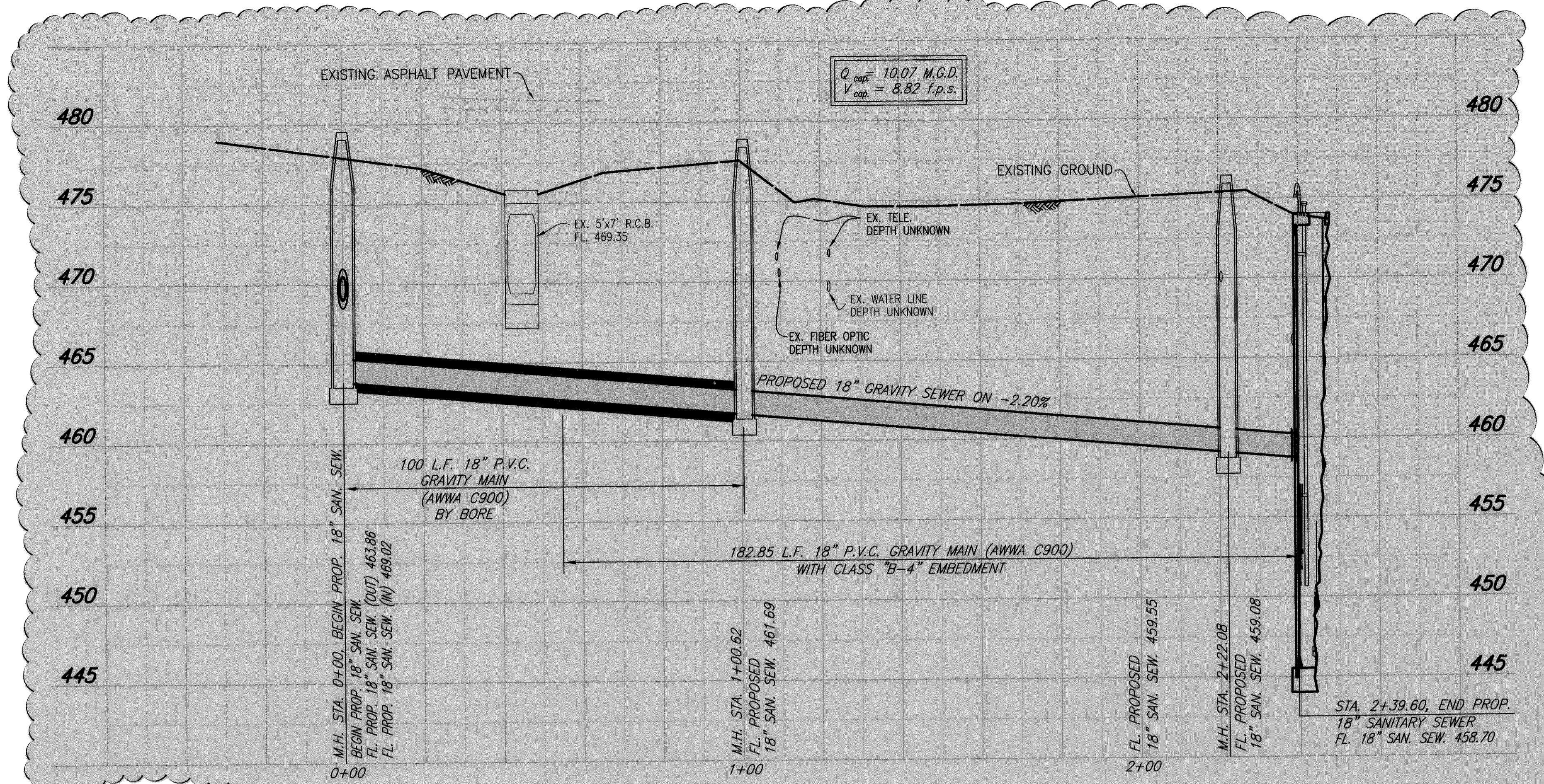
COMBINATION SEWAGE AIR AND VACUUM VALVE INSTALLATION



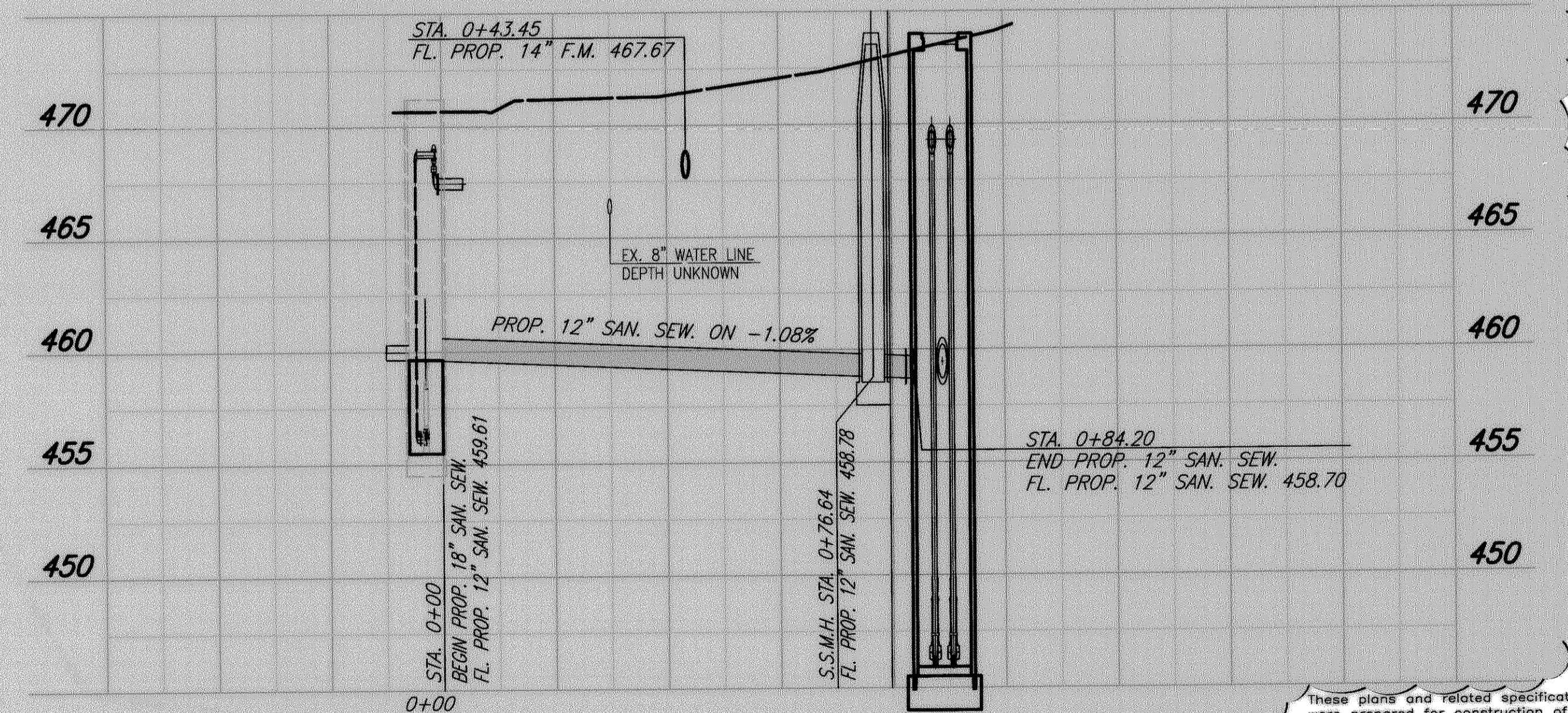
CLASS H EMBEDMENT



CLASS B-4 EMBEDMENT



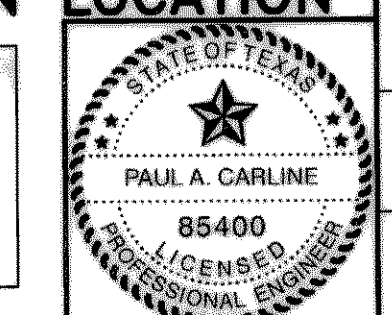
PROPOSED 18" SANITARY SEWER



PROPOSED 12" SANITARY SEWER

REVISED TO CONFORM TO CONSTRUCTION RECORDS BY P.A.C. DATE 10/31/05

CHANGE ORDER NO. 1
12/13/2002 REVISED
LIFT STATION LOCATION
 THESE DOCUMENTS ARE FOR BIDDING, CONSTRUCTION, AND PERMIT PURPOSES.
 DATE: 12/13/02



CITY OF ROCKWALL, TEXAS
 QUAIL RUN ROAD FORCE MAIN
 MISCELLANEOUS DETAILS
 BIRKHOFF, HENDRICKS & CONWAY, L.L.P.
 CONSULTING ENGINEERS
 Dallas, Texas
 DESIGNED BY: P.A.C. PROJECT: 2000172 SHEET NO. 8
 DRAWN BY: J.P.O. DATE: DECEMBER, 2002 OF 8 SHEETS

H:\Rockwall\2000172\Plans\Sheets\ASBULL12-01-03\2000172-508.dwg
 10/31/05 MO
 Revised: