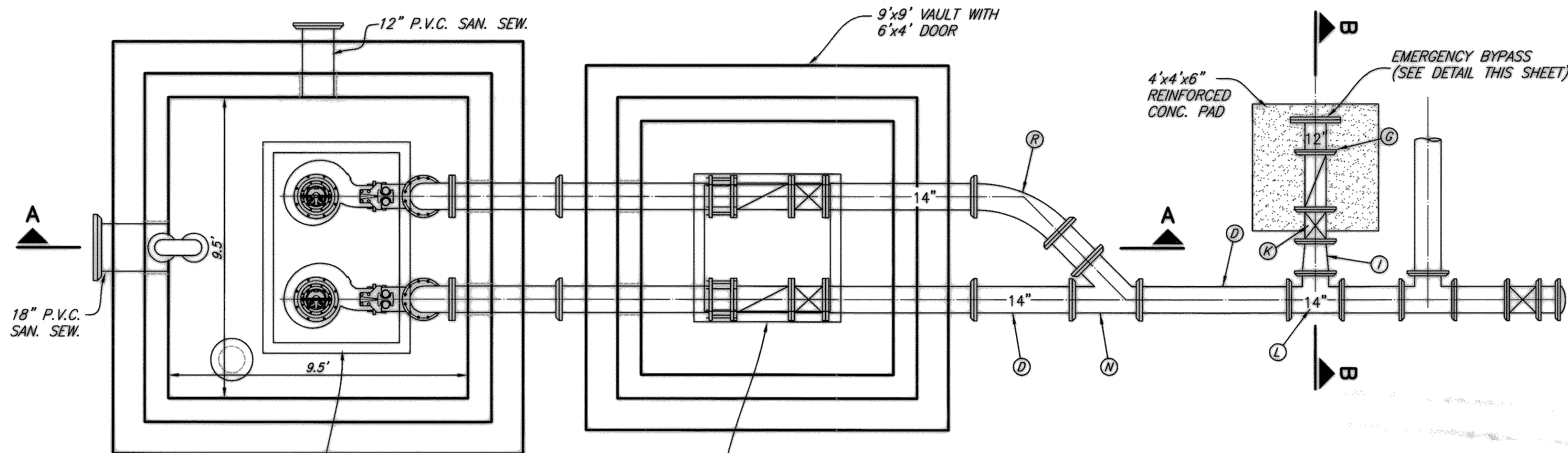
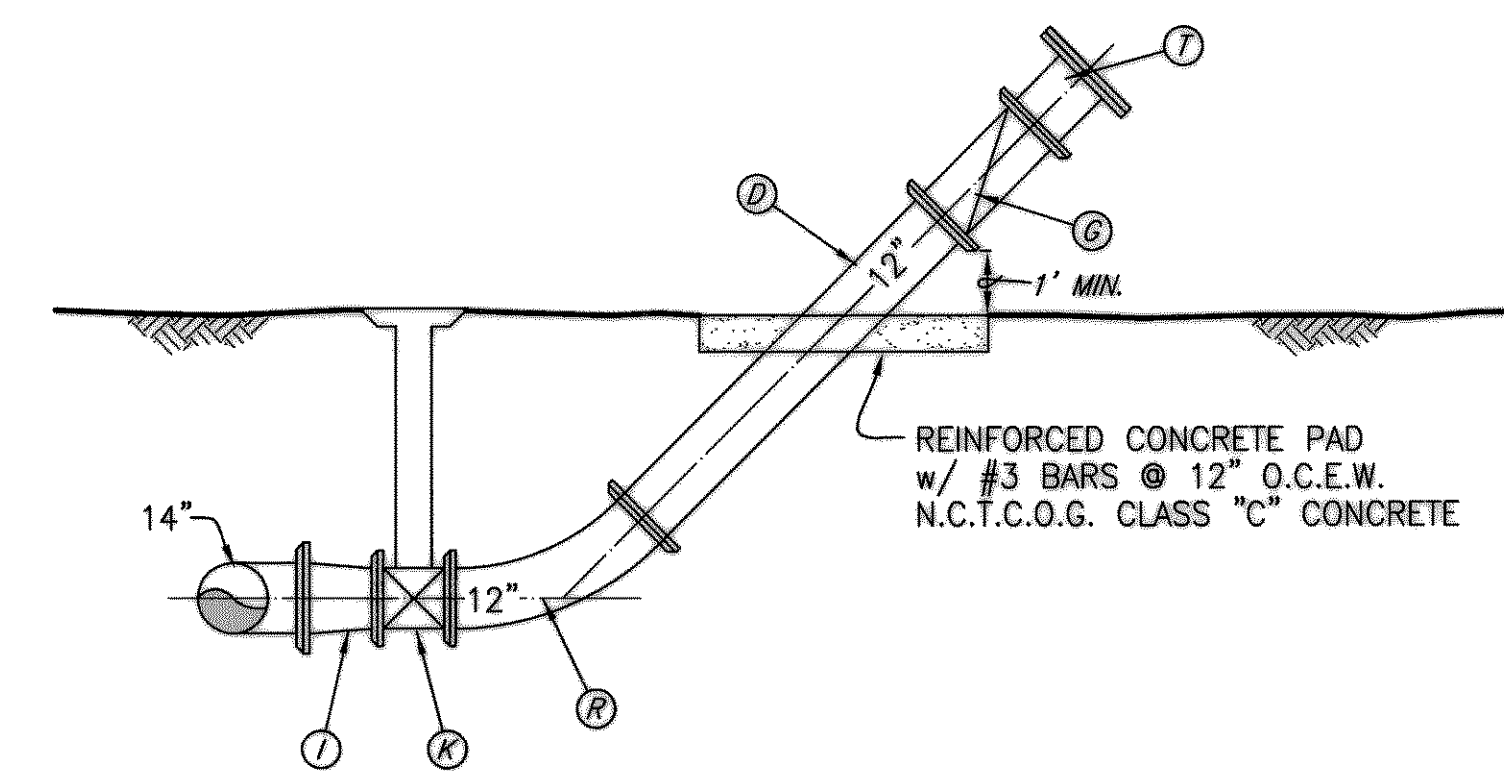


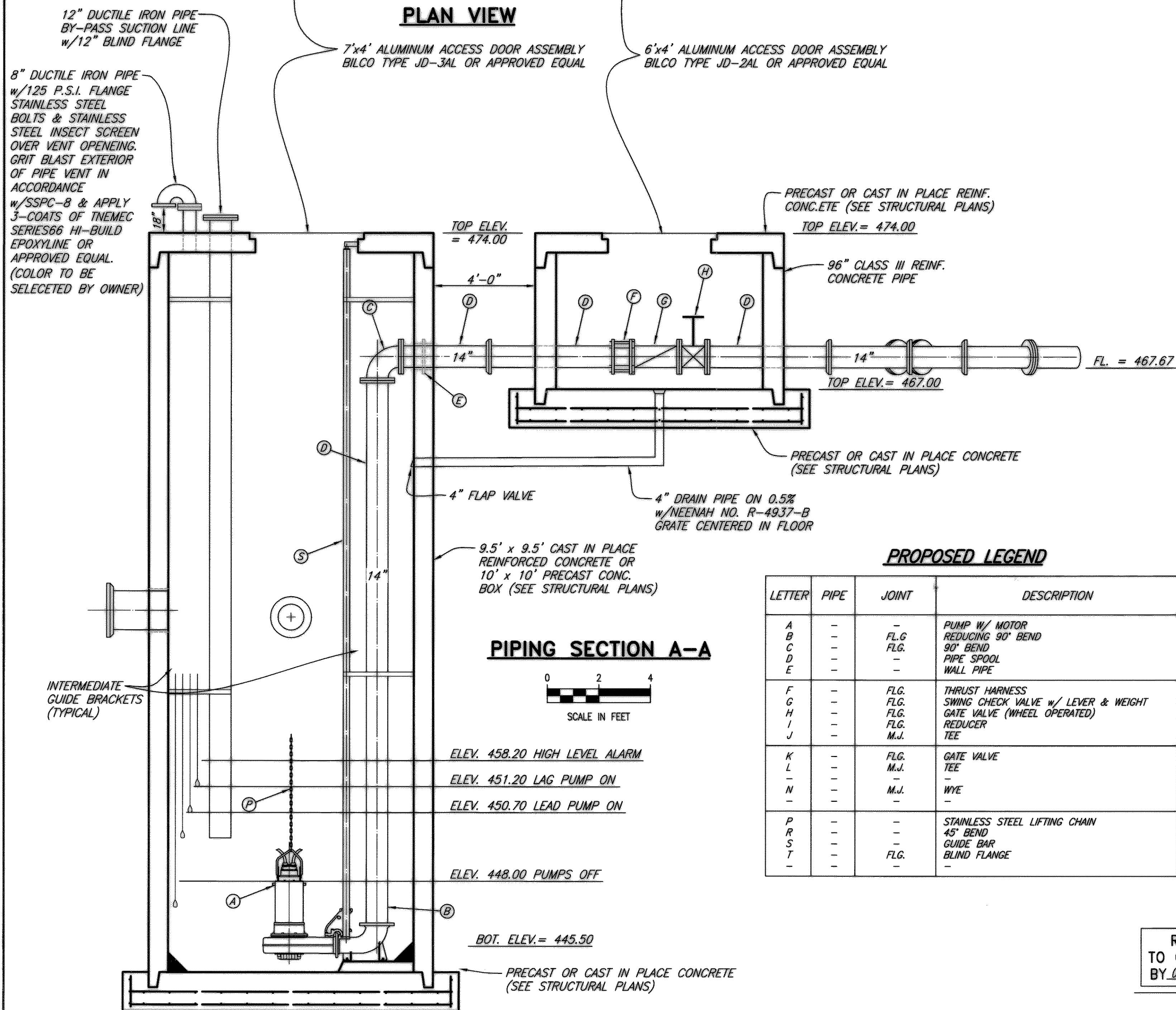
H:\Projects\Rockwall\2000172\Plans\Sheets\ASBULL12-01-03\2000172_S07.dwg
 Revised: 10/31/2003 MO
 PAUL A. GARLINE



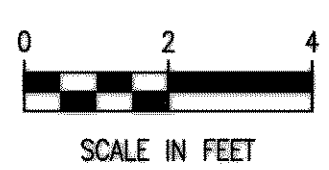
PLAN VIEW



PIPING SECTION B-B EMERGENCY BYPASS DETAIL

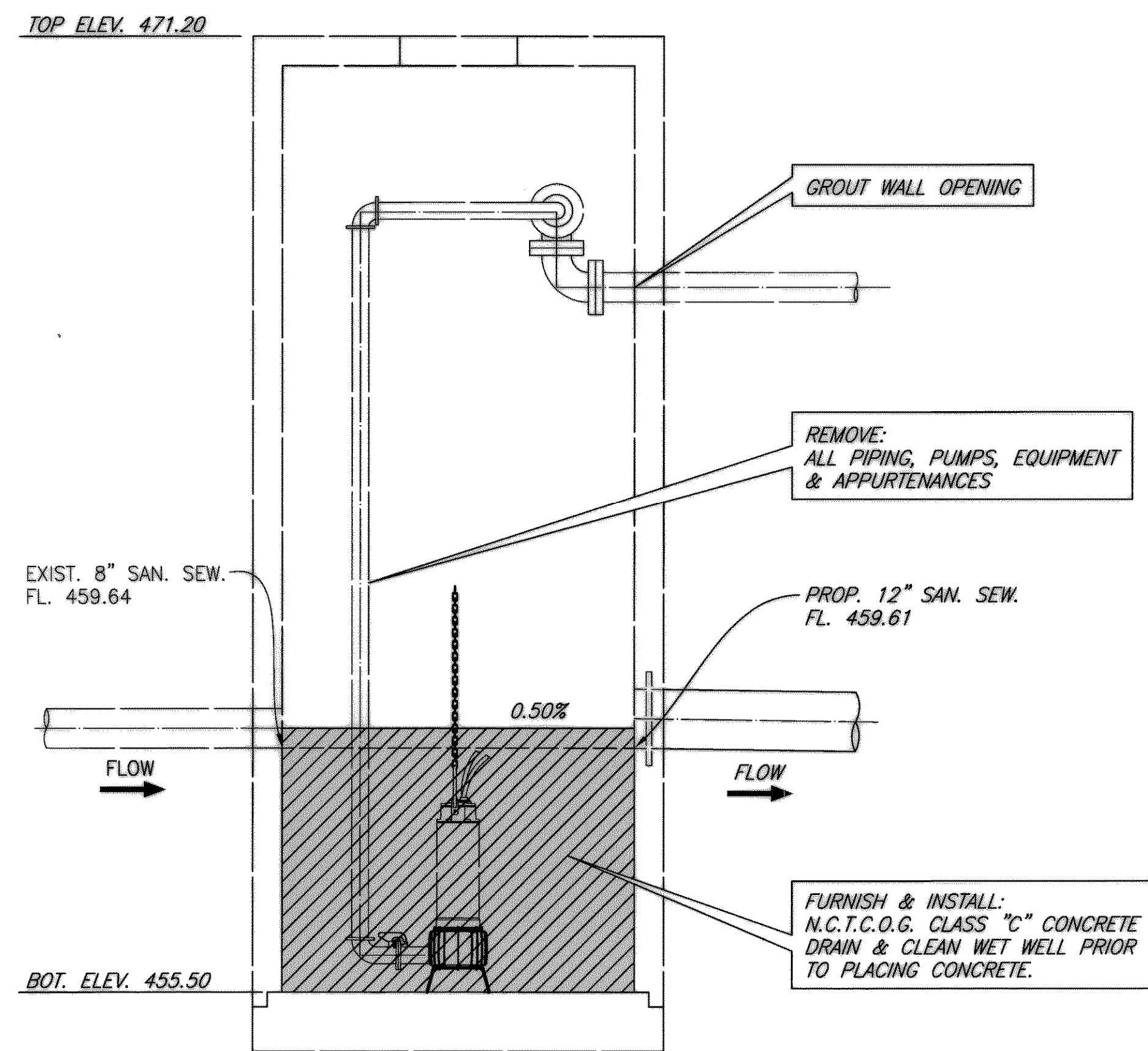


PIPING SECTION A-A

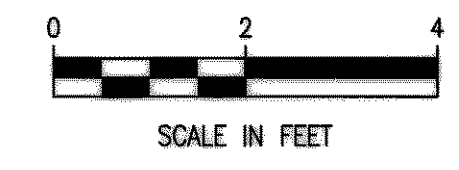


PROPOSED LEGEND

LETTER	PIPE	JOINT	DESCRIPTION
A	-	-	PUMP W/ MOTOR
B	-	FLG	REDUCING 90° BEND
C	-	FLG	90° BEND
D	-	-	PIPE SPOOL
E	-	-	WALL PIPE
F	-	FLG	THRUST HARNESS
G	-	FLG	SWING CHECK VALVE w/ LEVER & WEIGHT
H	-	FLG	GATE VALVE (WHEEL OPERATED)
I	-	FLG	REDUCER
J	-	M.J.	TEE
K	-	FLG	GATE VALVE
L	-	M.J.	TEE
N	-	-	WYE
P	-	-	STAINLESS STEEL LIFTING CHAIN
R	-	-	45° BEND
S	-	-	GUIDE BAR
T	-	FLG	BLIND FLANGE



LIFT STATION ABANDONMENT PLAN



REVISED TO CONFORM TO CONSTRUCTION RECORDS BY P.A.C. DATE 10/31/05

THESE DOCUMENTS ARE FOR BIDDING, CONSTRUCTION, AND PERMIT PURPOSES.
 DATE: 12/13/02



These plans and related specifications were prepared for construction of this specific project only. Reuse of these documents is not permitted without written authorization of Birkhoff, Hendricks, & Conway, L.L.P.

CITY OF ROCKWALL, TEXAS

QUAIL RUN ROAD FORCE MAIN

PIPING SECTIONS

BIRKHOFF, HENDRICKS & CONWAY, L.L.P.
 CONSULTING ENGINEERS
 Dallas, Texas

DESIGNED BY: P.A.C. PROJECT: 2000172 SHEET NO. 7
 DRAWN BY: J.P.O. DATE: JULY, 2002 OF 8 SHEETS