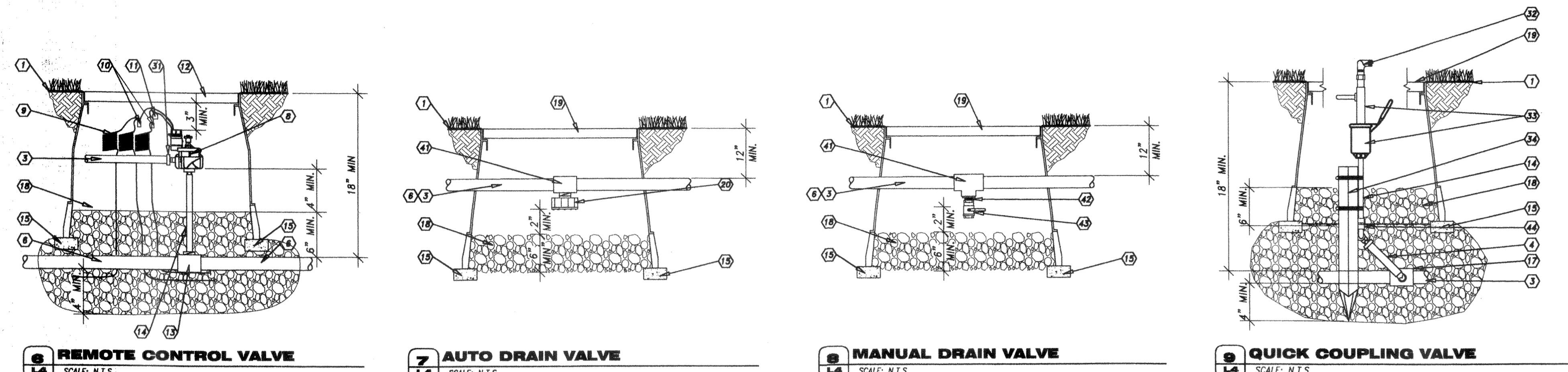
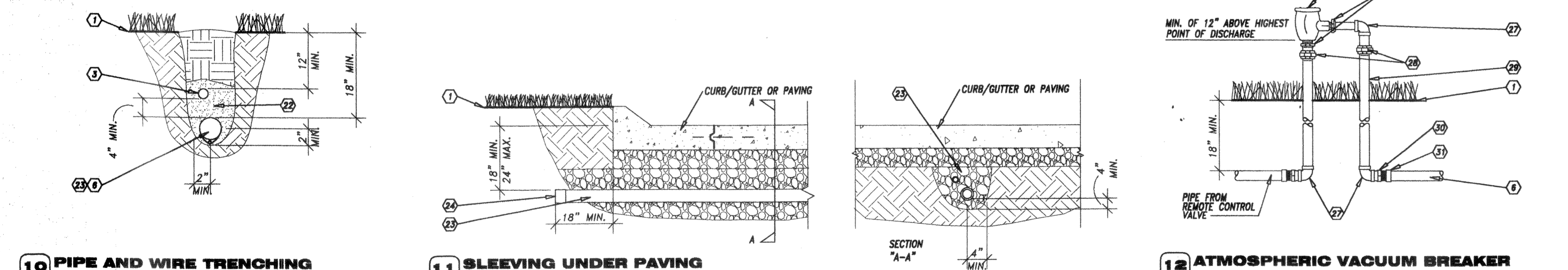


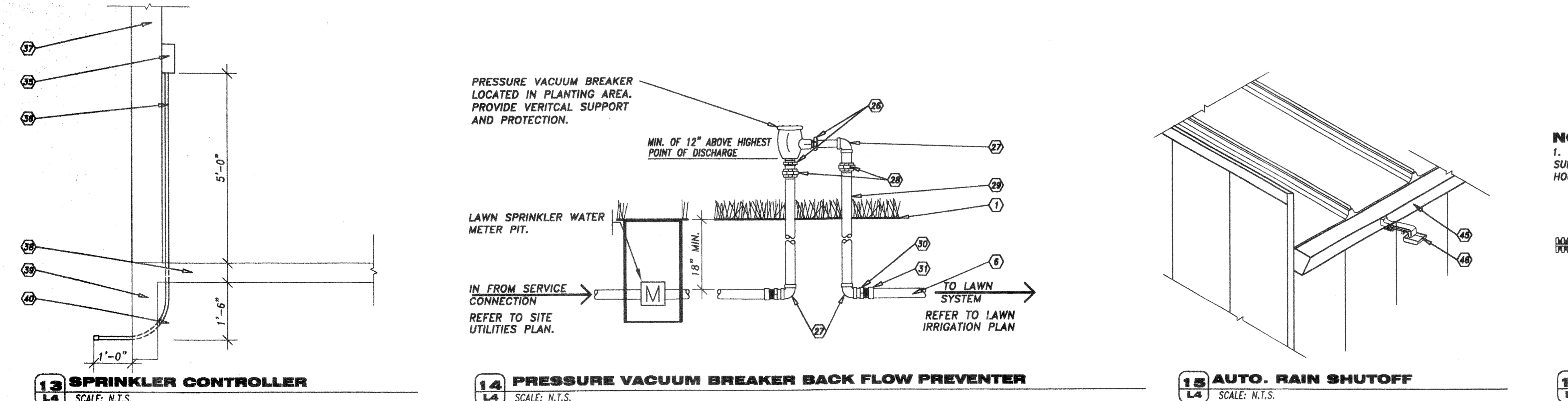
**1 TURF HEAD** SCALE: N.T.S.  
**2 ROTOR POP-UP HEAD** SCALE: N.T.S.  
**3 SHRUB HEAD** SCALE: N.T.S.  
**4 BUBBLER HEAD** SCALE: N.T.S.  
**5 TURF HEAD NEXT TO CURB OR WALK** SCALE: N.T.S.



**6 REMOTE CONTROL VALVE** SCALE: N.T.S.  
**7 AUTO DRAIN VALVE** SCALE: N.T.S.  
**8 MANUAL DRAIN VALVE** SCALE: N.T.S.  
**9 QUICK COUPLING VALVE** SCALE: N.T.S.



**10 PIPE AND WIRE TRENCHING** SCALE: N.T.S.  
**11 SLEEVING UNDER PAVING** SCALE: N.T.S.  
**12 ATMOSPHERIC VACUUM BREAKER** SCALE: N.T.S.



**13 SPRINKLER CONTROLLER** SCALE: N.T.S.  
**14 PRESSURE VACUUM BREAKER BACK FLOW PREVENTER** SCALE: N.T.S.  
**15 AUTO. RAIN SHUTOFF** SCALE: N.T.S.

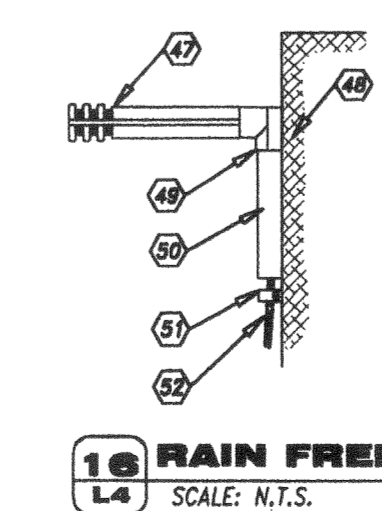
**GENERAL NOTES**

- A. REFER TO PROJECT MANUAL FOR ADDITIONAL REQUIREMENTS.
- B. COORDINATE WORK WITH OTHER SITE DEVELOPMENT RELATED DRAWINGS.

**IRRIGATION DETAIL KEY NOTES**

- 1 FINISH GRADE/TOP OF MULCH
- 2 POP - UP SPRAY SPRINKLER
- 3 CLASS 200 PVC OR 100 PSI PE LATERAL PIPE
- 4 12" SWING ASSEMBLY, MPT x MPT. THREADS TO MATCH SPRINKLER HEAD AND LATERAL SIZE.
- 5 NOZZLE
- 6 SCH 40 PVC OR 160 PSI PE MAINLINE
- 7 1 CU. FT. CREEK GRAVEL
- 8 REMOTE CONTROL ANGLE VALVE. REFERENCE SHEET L3 FOR SIZE AND TYPE.
- 9 30' LINEAR LENGTH OF WIRE, COILED
- 10 WATER PROOF CONNECTIONS
- 11 I.D. TAG
- 12 VALVE BOX WITH COVER: 12" SIZE
- 13 SCH. 80 ELL, S x S
- 14 SCH 80 PVC NIPPLE, MPT x MPT (LENGTH AS REQUIRED)
- 15 BRICK
- 16 FOR PVC MAIN - SCH 80 TEE, S x S x S, AND SCH. 80 NIPPLE (2" LENGTH, HIDDEN). FOR PE MAIN - SCH 80 TEE, FPT x FPT x S, AND SCH 80 NIPPLE (2" LENGTH, HIDDEN) WITH TWO HOSE ADAPTERS, MPT x INSERT, AND TWO S.S. HOSE CLAMPS, OFFSET, PER HOSE ADAPTER.
- 17 SCH 40 TEE, S x S x FPT (PVC LATERAL) OR, FPT x FPT x FPT WITH TWO HOSE ADAPTERS, MPT x INSERT AND TWO S.S. HOSE CLAMPS, OFFSET, PER HOSE ADAPTER (PE LATERAL).
- 18 3/4" DIAMETER WASHED GRAVEL
- 19 VALVE BOX WITH COVER: 6" SIZE
- 20 FILTER DRAIN VALVE
- 21 MAIN LINE, TAPE WIRES TO BOTTOM SIDE OF MAIN LINE AT 5'-0" O.C.
- 22 2" SAND OR ROCK FREE SOIL ALL AROUND PIPE
- 23 PVC IRRIGATION SLEEVE TO BE SCH 40 PVC PIPE. ALL JOINTS TO BE SOLVENT WELDED AND WATER TIGHT
- 24 PVC CAP TYP.
- 25 ATMOSPHERIC VACUUM BREAKER
- 26 COPPER MALE ADAPTER
- 27 COPPER 90° ELL
- 28 COPPER UNION
- 29 COPPER PIPE
- 30 COPPER FEMALE ADAPTER
- 31 PVC MALE ADAPTER OR HOSE ADAPTER, MPT x INSERT, AND TWO S.S. HOSE CLAMPS, OFFSET, PER HOSE ADAPTER
- 32 HOSE BIB ELL
- 33 QUICK COUPLING VALVE
- 34 2" x 2" REDWOOD OR GROUND CONTACT CCA STAKE WITH STAINLESS STEEL WORM GEAR CLAMPS OR EQUIVALENT
- 35 CONTROLLER
- 36 2 1/2" RIGID STEEL PIPE LOCATED NEXT TO WALL (1) FOR EACH CONTROLLER
- 37 EXTERIOR WALL
- 38 FLOOR SLAB
- 39 FOUNDATION FOOTING
- 40 2 1/2" RIGID STEEL PIPE ELBOW 12" RADIUS MIN. INSTALLED BY GENERAL CONTRACTOR.
- 41 FOR PVC PIPE - SCH 80 TEE, S x S x FPT. FOR PE MAIN - SCH 80 TEE, FPT x FPT x FPT, WITH TWO HOSE ADAPTERS, MPT x INSERT, AND TWO S.S. HOSE CLAMPS, OFFSET, PER HOSE ADAPTER. REDUCE TEE AS NECESSARY TO MATCH VALVE THREADS.
- 42 1/2" THREADED x SHORT NIPPLE
- 43 1/2" BRASS BALL VALVE
- 44 SCH 80 PVC COUPLING, T x T
- 45 ROOF EDGE.
- 46 AUTOMATIC RAIN SHUTOFF. REFER TO MFG. SPEC. FOR PROPER INSTALLATION INSTRUCTION.
- 47 RAIN FREEZE SWITCH, INSTALL OPEN SIDE UP, POROUS FOAM TOWARDS GROUND.
- 48 IRRIGATION CONTROLLER HOUSING, BUILDING WALL.
- 49 MOUNTING BRACKET
- 50 1/2" PVC CONDUIT
- 51 SECURE WIRE WITH CABLE TIE BRACKET.
- 52 WIRE TO IRRIGATION CONTROLLER (CONNECT TO CONTROLLER COMMON WIRE PER INSTALLATION DIRECTIONS)

**NOTE:**  
 1. MOUNT RAIN FREEZE SWITCH IN SUITABLE LOCATION TO CONTROLLER HOUSING, INSTALLATION DIRECTIONS.



**16 RAIN FREEZE SWITCH** SCALE: N.T.S.

**CASCO**  
 10877 WATSON ROAD  
 ST. LOUIS, MO 63127  
 PROJECT MANAGERS

ISSUED FOR PERMIT:	
ISSUED FOR BID:	
REVISIONS:	
NO.#	DATE
REMARKS:	
REV. 1	5/05/04
ENGINEERING PLANS RESUBMITTAL	
REV. 2	5/26/04
ENGINEERING PLANS RESUBMITTAL	
REV. 1	11/11/04
ENGINEERING PLANS RESUBMITTAL	
REV. 2	12/30/04
ENGINEERING PLANS RESUBMITTAL	

**O'Reilly AUTO PARTS**  
 PROJECT:  
**NEW O'REILLY AUTO PARTS STORE**  
**RIDGE ROAD**  
**ROCKWALL, TEXAS**

233 SOUTH PATTERSON  
 SPRINGFIELD, MO 65802  
 PHONE: (417) 862-3333

Professional of Record  
**REGISTERED ARCHITECT**  
 RALPH R. SMITH  
 7457  
 PROFESSIONAL OF RECORD  
 PHONE: 314-821-1100

JOB NO.:	904522
DRAWN:	MAM
CHECKED:	CRM
DATE:	3/01/04
SCALE:	1/2" = 1'-0"
SHEET:	

**L4**

**IRRIGATION DETAILS**

© COPYRIGHT 2004 - DESIGNS, DRAWINGS AND SPECIFICATIONS ARE INSTRUMENTS OF SERVICE AND ARE THE PROPERTY OF THE DESIGN PROFESSIONAL. REPRODUCTION PROHIBITED WITHOUT THE EXPRESSED WRITTEN CONSENT OF THE DESIGN PROFESSIONAL.