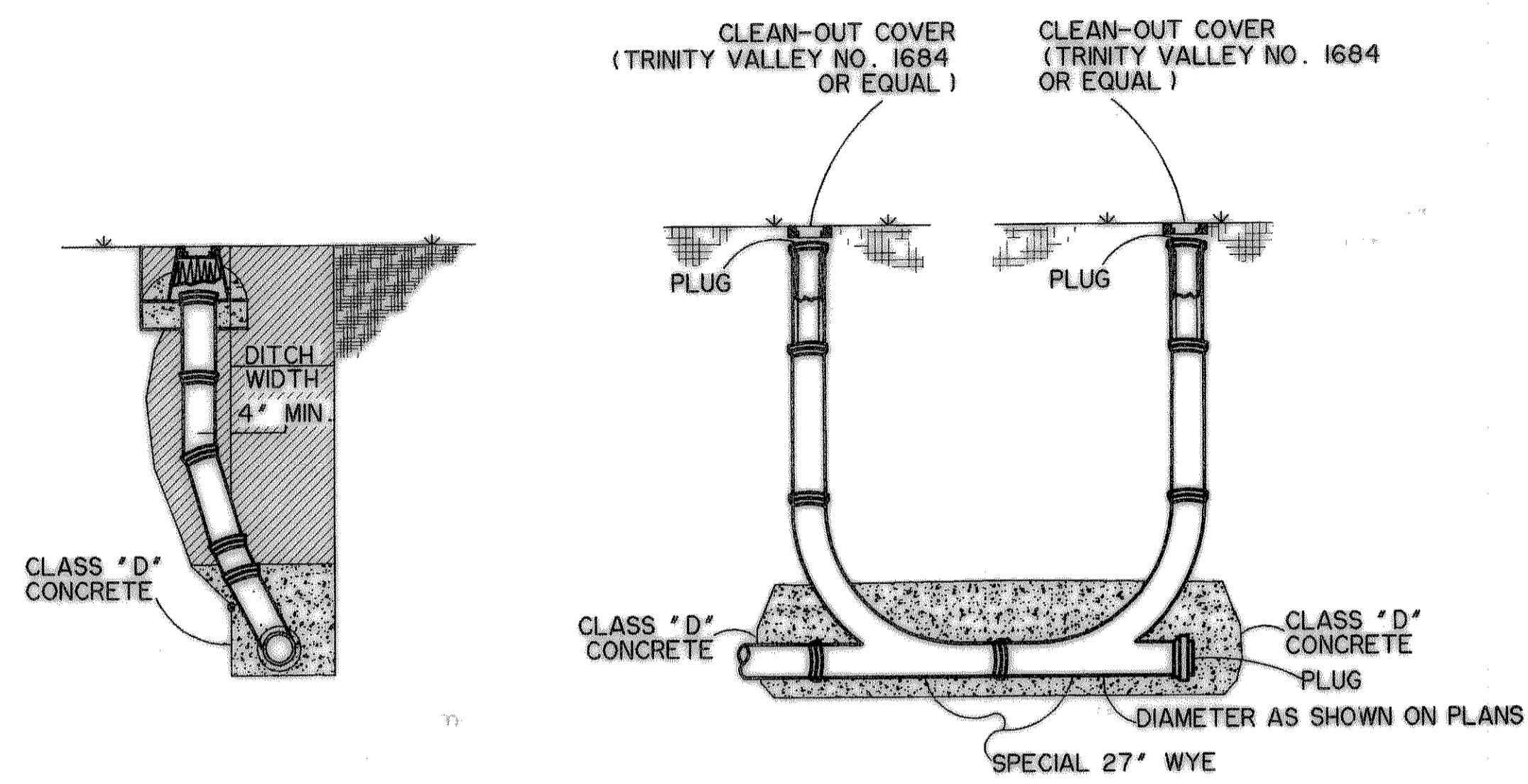
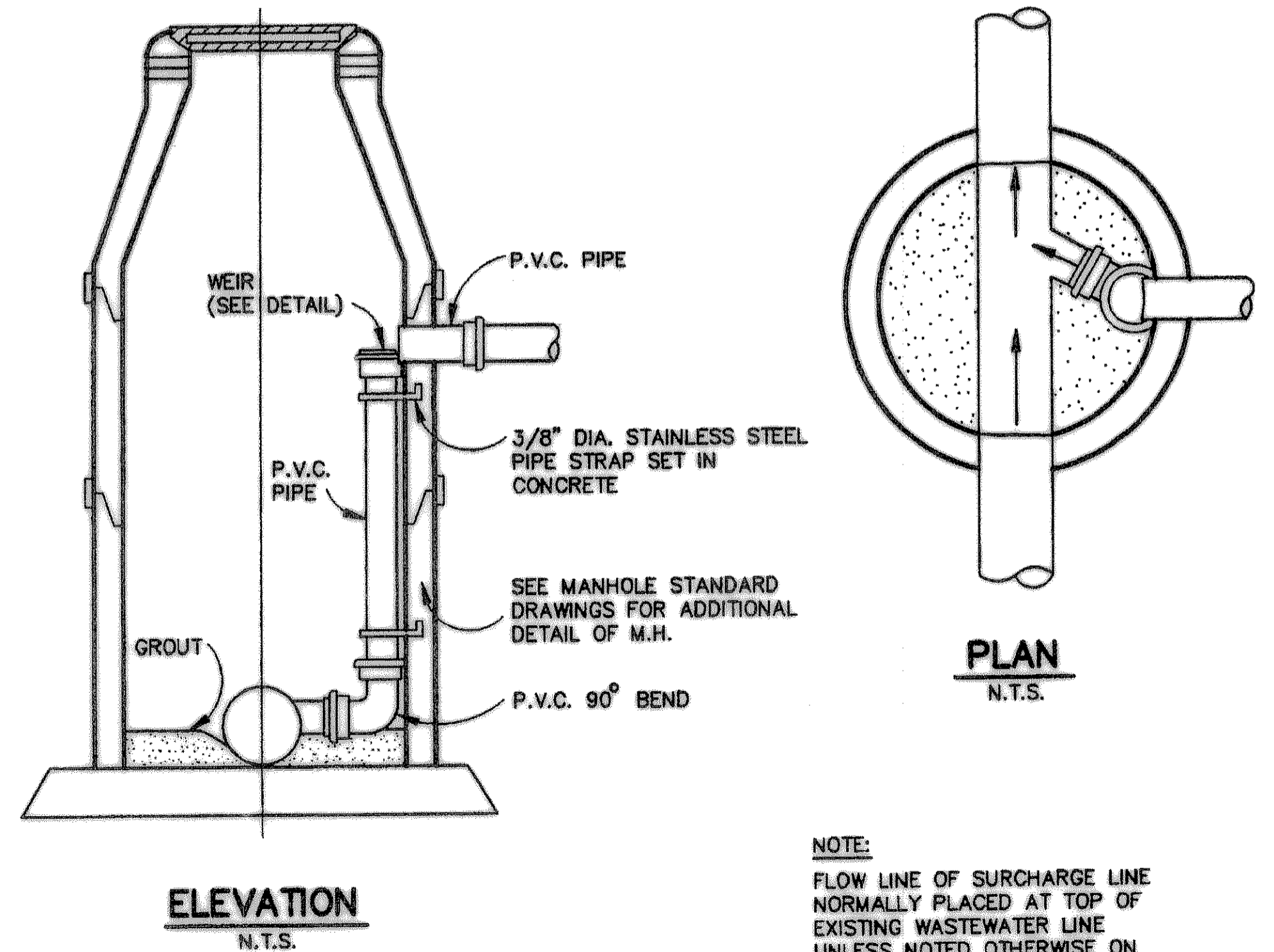
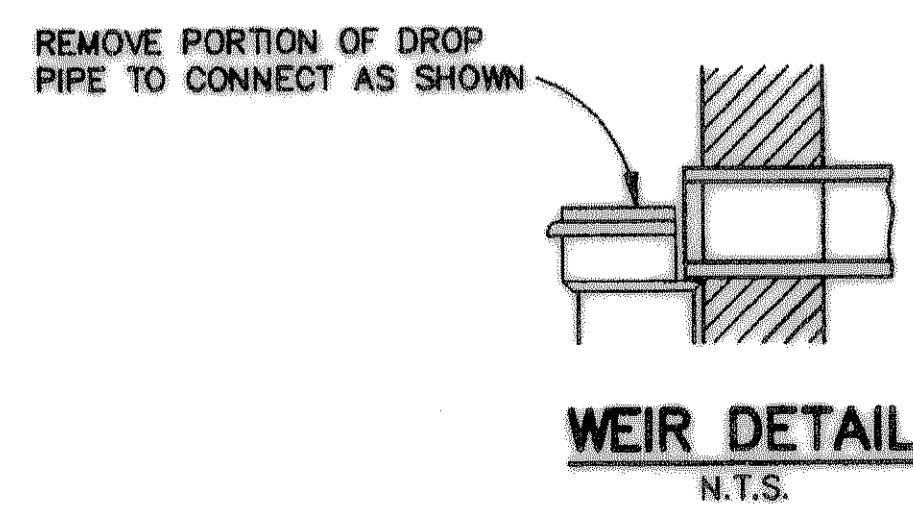


TIME 10:09 FILE: UTILITY-DETAILS-08037.dwg



DOUBLE CLEAN OUT
N.T.S.

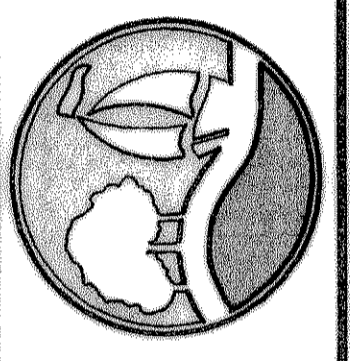


WASTEWATER MANHOLE
N.T.S.

NOTE:
FLOW LINE OF SURCHARGE LINE
NORMALLY PLACED AT TOP OF
EXISTING WASTEWATER LINE
UNLESS NOTED OTHERWISE ON
PLANS.

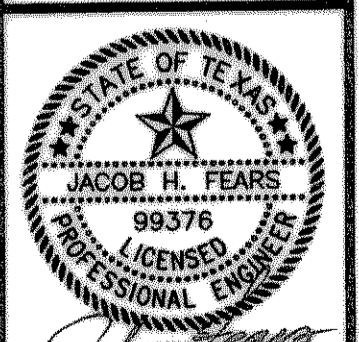
RECORD DRAWING

PREPARED BY:
WIER & ASSOCIATES, INC.
ENGINEERS SURVEYORS LAND PLANNERS
701 HIGHLANDER BLVD., SUITE 300 ARLINGTON, TEXAS 76015 METRO (817)467-7700
6849 ELM STREET FRISCO, TEXAS 75034 METRO (214)387-8000
Texas Firm Registration No. F-2776 www.wierassociates.com



ROCKWALL TECHNOLOGY PARK
PHASE I
ROCKWALL, TEXAS

UTILITY DETAILS



COPYRIGHT ©
WIER & ASSOCIATES, INC.
LAST SHEET EDIT
DATE 10-12-2009
WA# 08037

SHEET NO. U301