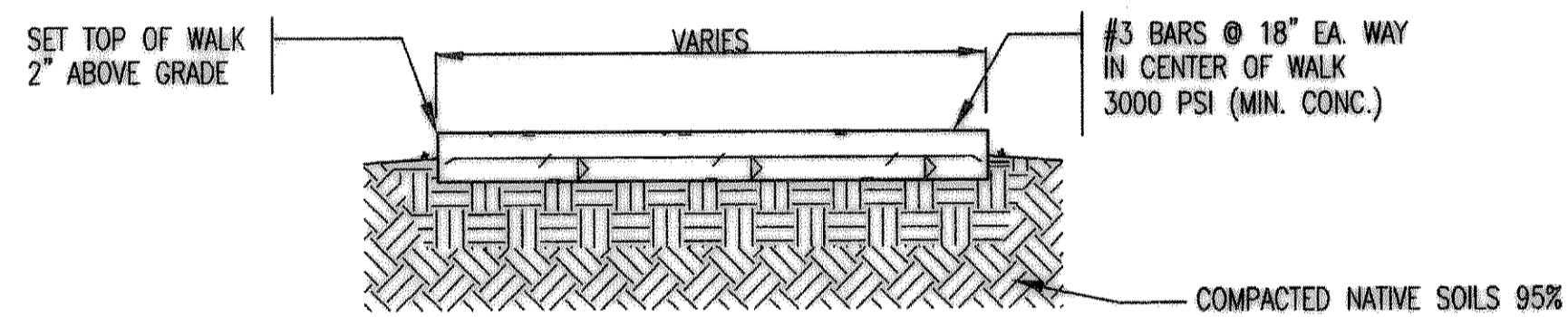


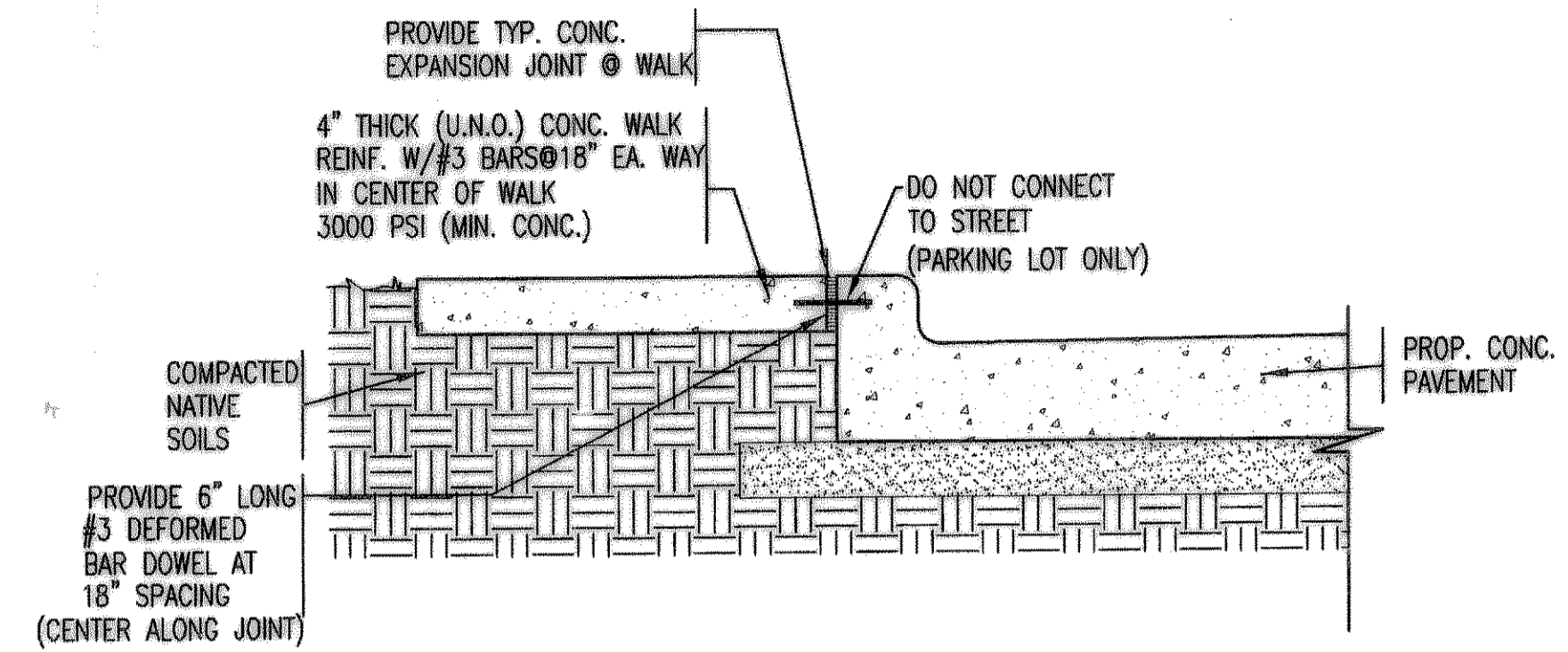
**PLAN - TYP. CONC. WALK**

N.T.S.



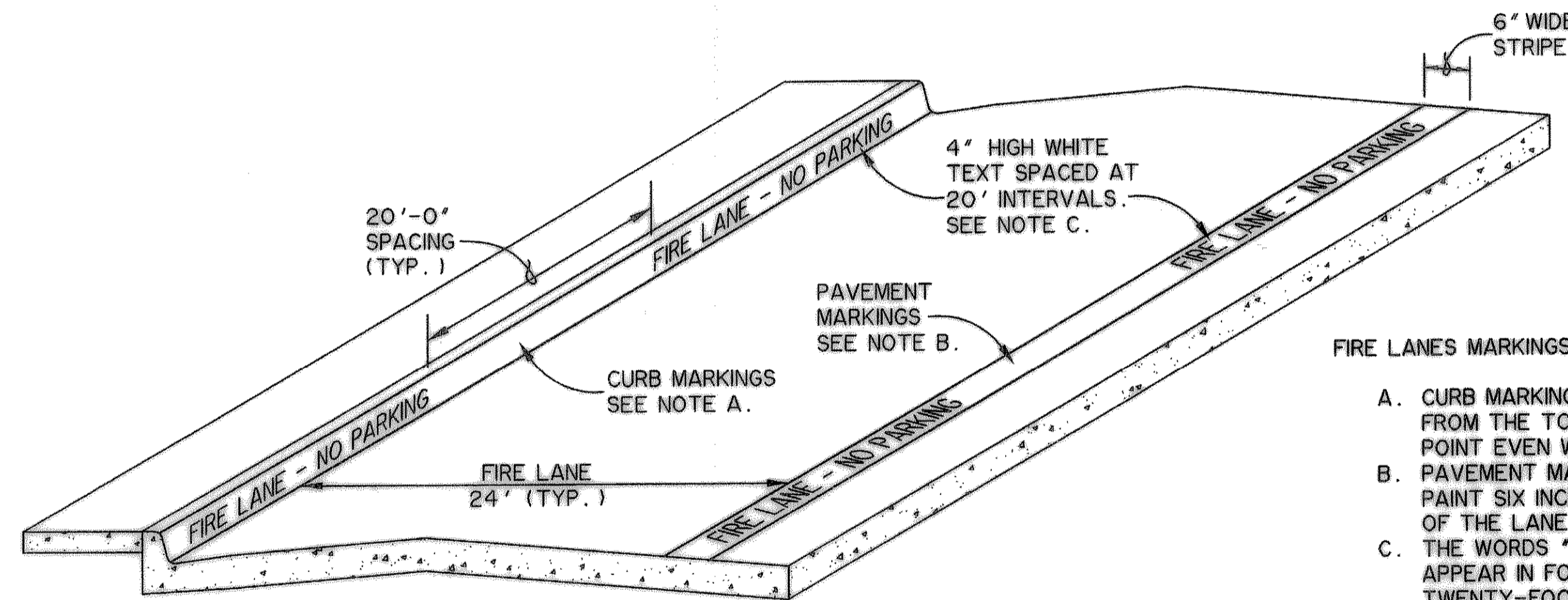
**SECTION 'A-A' - TYP. CONC. WALK**

N.T.S.



**WALK TO CURB**

N.T.S.



**FIRE LANE STRIPING DETAIL**

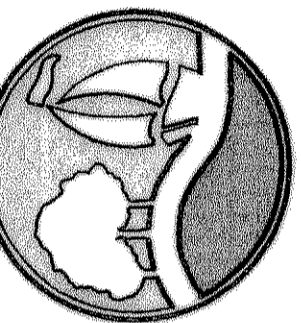
N.T.S.

FIRE LANES MARKINGS SHALL BE AS FOLLOWS:

- A. CURB MARKINGS - PAINTED IN RED TRAFFIC PAINT FROM THE TOP OF THE SEAM OF THE CURB TO A POINT EVEN WITH THE DRIVING SURFACE.
- B. PAVEMENT MARKINGS - PAINTED IN RED TRAFFIC PAINT SIX INCHES IN WIDTH TO SHOW THE BOUNDARIES OF THE LANE.
- C. THE WORDS "NO PARKING - FIRE LANE" SHALL APPEAR IN FOUR INCH WHITE LETTERS AT TWENTY-FOOT INTERVALS.

\* THESE DETAILS ARE FOR ON-SITE SIDEWALKS. ALL OTHER SIDEWALKS AND RAMPS WITHIN PUBLIC RIGHT-OF-WAY SHALL BE CONSTRUCTED IN COMPLIANCE WITH LOCAL CITY CODES AND DETAILS.

**RECORD DRAWING**



ROCKWALL TECHNOLOGY  
PARK  
PHASE I  
ROCKWALL, TEXAS

PRIVATE ON-SITE  
SIDEWALK DETAILS



COPYRIGHT ©  
WIER & ASSOCIATES, INC.  
LAST SHEET EDIT  
DATE 10-12-2009  
WA# 08037

SHEET NO.  
P303

PREPARED BY:  
**WIER & ASSOCIATES, INC.**  
ENGINEERS SURVEYORS LAND PLANNERS  
701 HIGHLANDER BLVD., SUITE 300 ARLINGTON, TEXAS 76015 METRO (817)467-7700  
6848 ELM STREET FRSICO, TEXAS 75034 METRO (214)387-8000  
Texas Firm Registration No. F-2776 www.wierassociates.com