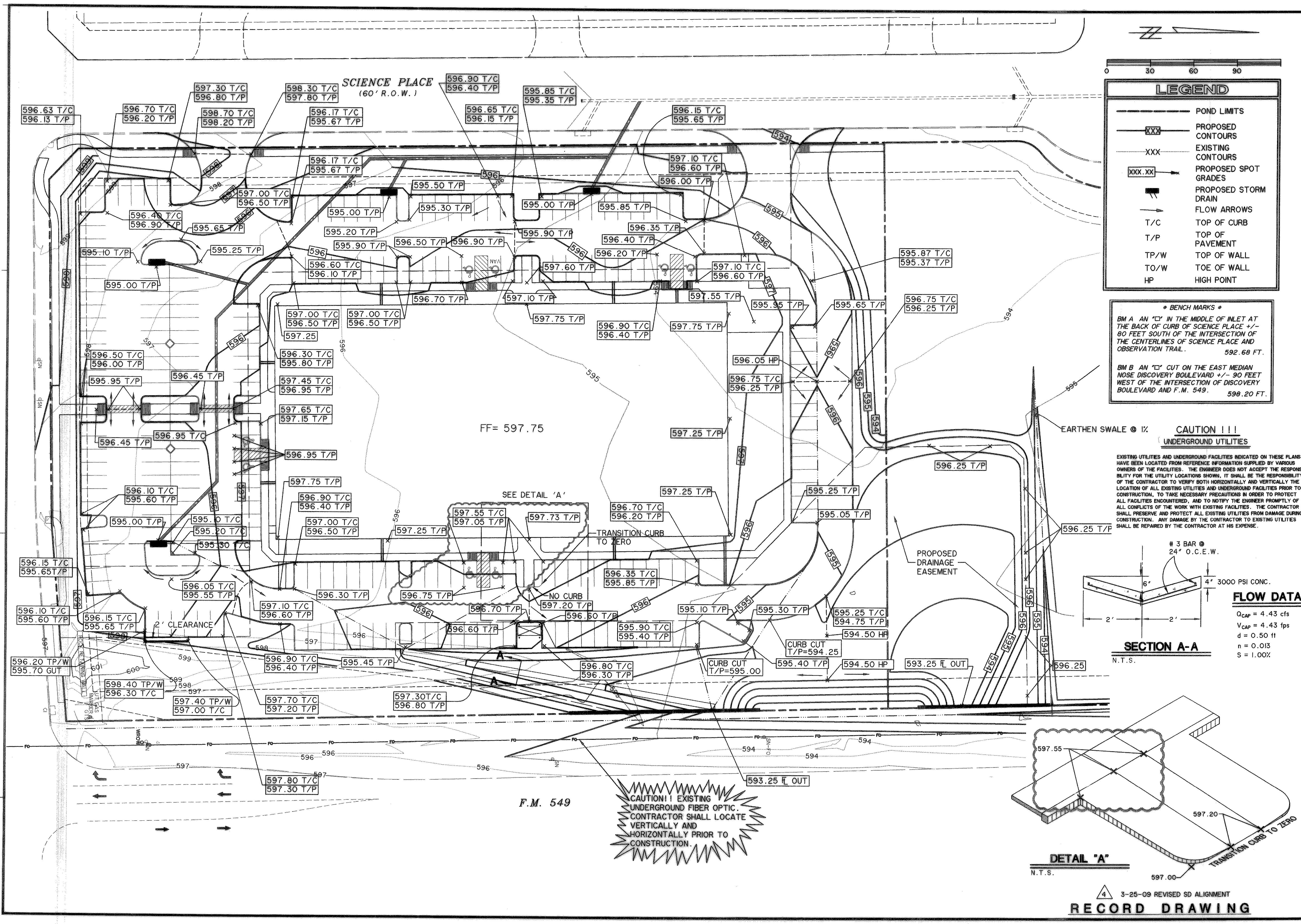


FILE: GRADE-08037.dwg
TIME: 9:47



| LEGEND | |
|--------|----------------------|
| | POND LIMITS |
| | PROPOSED CONTOURS |
| | EXISTING CONTOURS |
| | PROPOSED SPOT GRADES |
| | PROPOSED STORM DRAIN |
| | FLOW ARROWS |
| T/C | TOP OF CURB |
| T/P | TOP OF PAVEMENT |
| TP/W | TOP OF WALL |
| TO/W | TOE OF WALL |
| HP | HIGH POINT |

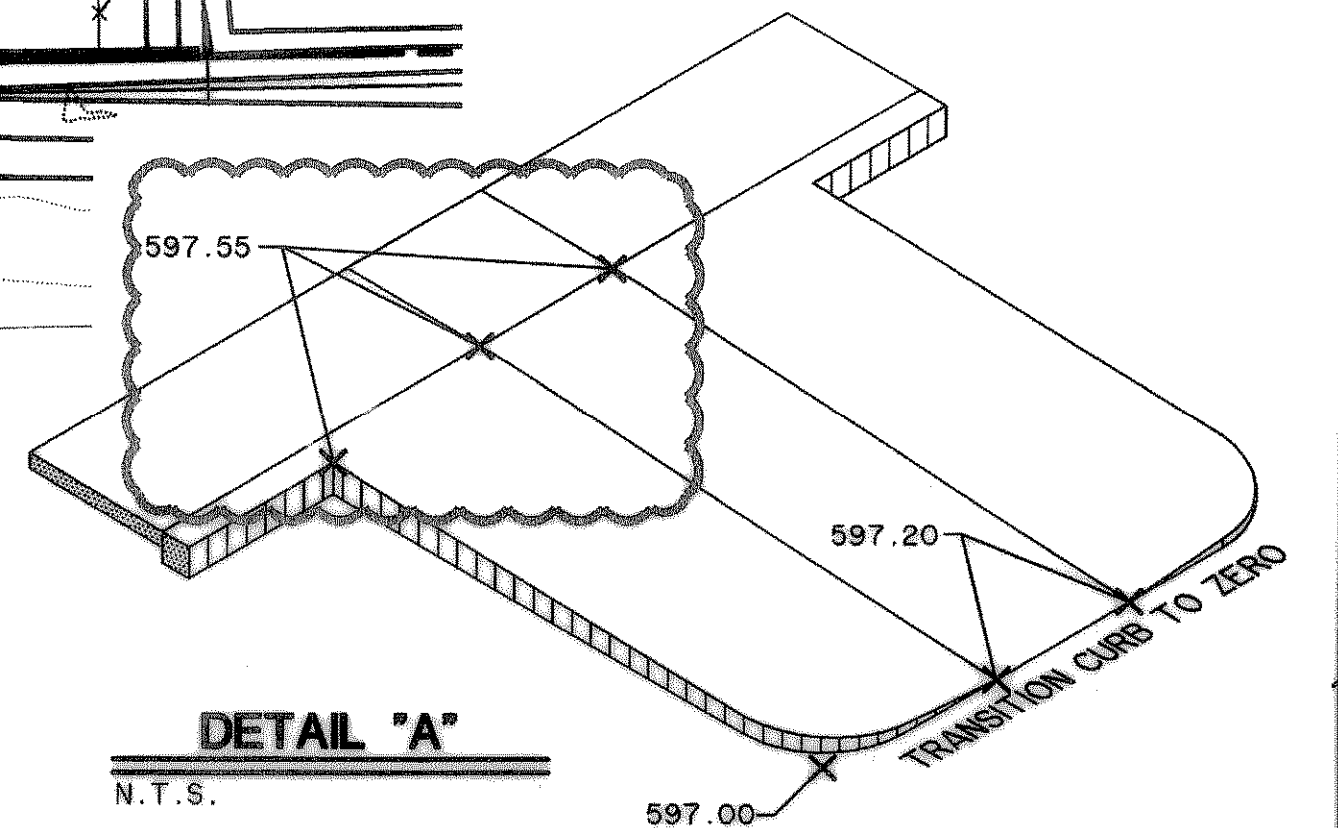
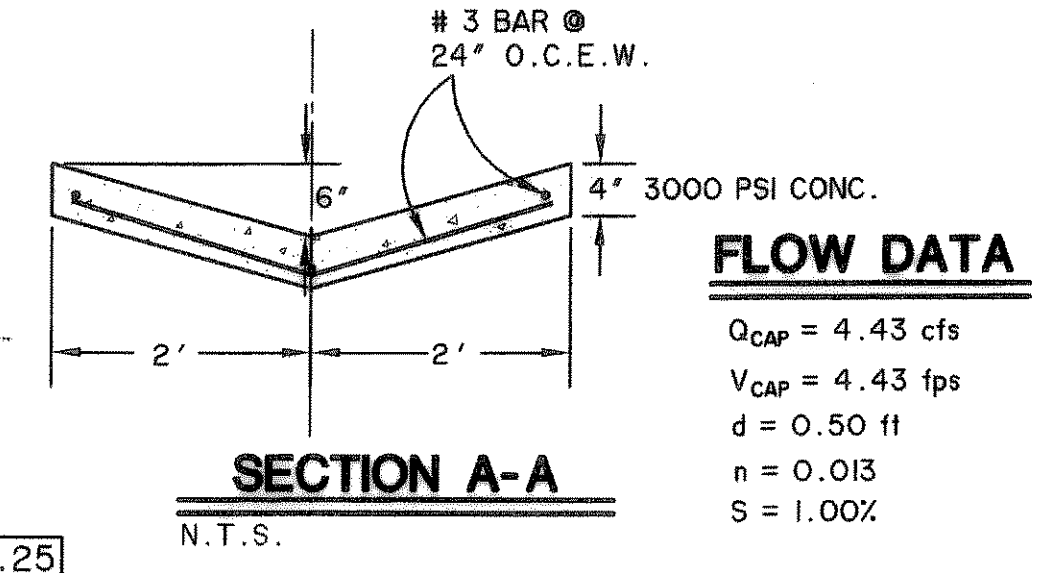
*** BENCH MARKS ***

BM A AN "X" IN THE MIDDLE OF INLET AT THE BACK OF CURB OF SCIENCE PLACE +/- 80 FEET SOUTH OF THE INTERSECTION OF THE CENTERLINES OF SCIENCE PLACE AND OBSERVATION TRAIL. 592.68 FT.

BM B AN "X" CUT ON THE EAST MEDIAN NOSE DISCOVERY BOULEVARD +/- 90 FEET WEST OF THE INTERSECTION OF DISCOVERY BOULEVARD AND F.M. 549. 598.20 FT.

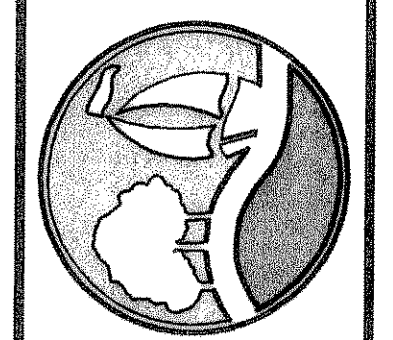
CAUTION !!!
UNDERGROUND UTILITIES

EXISTING UTILITIES AND UNDERGROUND FACILITIES INDICATED ON THESE PLANS HAVE BEEN LOCATED FROM REFERENCE INFORMATION SUPPLIED BY VARIOUS OWNERS OF THE FACILITIES. THE ENGINEER DOES NOT ACCEPT THE RESPONSIBILITY FOR THE UTILITY LOCATIONS SHOWN. IT SHALL BE THE RESPONSIBILITY OF THE CONTRACTOR TO VERIFY BOTH HORIZONTALLY AND VERTICALLY THE LOCATION OF ALL EXISTING UTILITIES AND UNDERGROUND FACILITIES PRIOR TO CONSTRUCTION, TO TAKE NECESSARY PRECAUTIONS IN ORDER TO PROTECT ALL FACILITIES ENCOUNTERED, AND TO NOTIFY THE ENGINEER PROMPTLY OF ALL CONFLICTS OF THE WORK WITH EXISTING FACILITIES. THE CONTRACTOR SHALL PRESERVE AND PROTECT ALL EXISTING UTILITIES FROM DAMAGE DURING CONSTRUCTION. ANY DAMAGE BY THE CONTRACTOR TO EXISTING UTILITIES SHALL BE REPAIRED BY THE CONTRACTOR AT HIS EXPENSE.



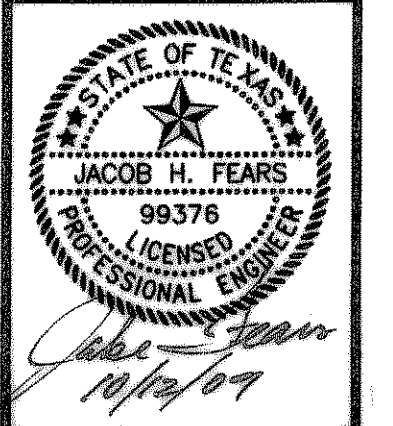
CAUTION!!! EXISTING UNDERGROUND FIBER OPTIC. CONTRACTOR SHALL LOCATE VERTICALLY AND HORIZONTALLY PRIOR TO CONSTRUCTION.

PREPARED BY:
WIA WIER & ASSOCIATES, INC.
ENGINEERS SURVEYORS LAND PLANNERS
701 HIGHLANDER BLVD., SUITE 300 ARLINGTON, TEXAS 76015 METRO (817)467-7700
6849 ELM STREET FRISCO, TEXAS 75034 METRO (214)387-8000
Texas Firm Registration No. F-2776 www.WierAssociates.com



ROCKWALL TECHNOLOGY
PARK
PHASE I
ROCKWALL, TEXAS

GRADING PLAN "A"



COPYRIGHT ©
WIER & ASSOCIATES, INC.
LAST SHEET EDIT
DATE 10-12-2009
WA# 08037

SHEET NO.
G101

3-25-09 REVISED SD ALIGNMENT
RECORD DRAWING