

**CAUTION !!**  
 EXISTING UTILITIES ARE INDICATED ON THE PLANS FROM AVAILABLE INFORMATION. IT SHALL BE THE RESPONSIBILITY OF THE CONTRACTOR TO VERIFY THE LOCATION OF ALL UTILITIES, TO NOTIFY ALL UTILITY COMPANIES OF THE CONTRACTORS OPERATIONS, TO PROTECT ALL UTILITIES FROM DAMAGE, TO REPAIR ALL UTILITIES DAMAGED DUE TO THE CONTRACTORS OPERATIONS, AND TO NOTIFY THE ENGINEER PROMPTLY OF ALL CONFLICTS OF THE WORK WITH EXISTING UTILITIES.

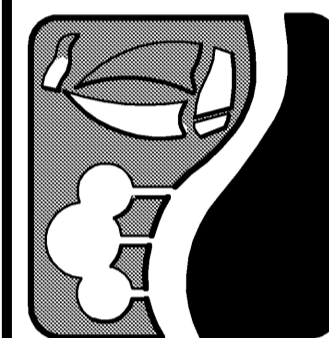
PREPARED BY:  
**WIER & ASSOCIATES, INC.**  
 ENGINEERS SURVEYORS LAND PLANNERS  
 701 HIGHLANDER BLVD., SUITE 300 ARLINGTON, TEXAS 76015 METRO (817)467-7700  
 www.wierassociates.com  
 Texas Firm Registration No. F-2776

**BENCH MARKS**

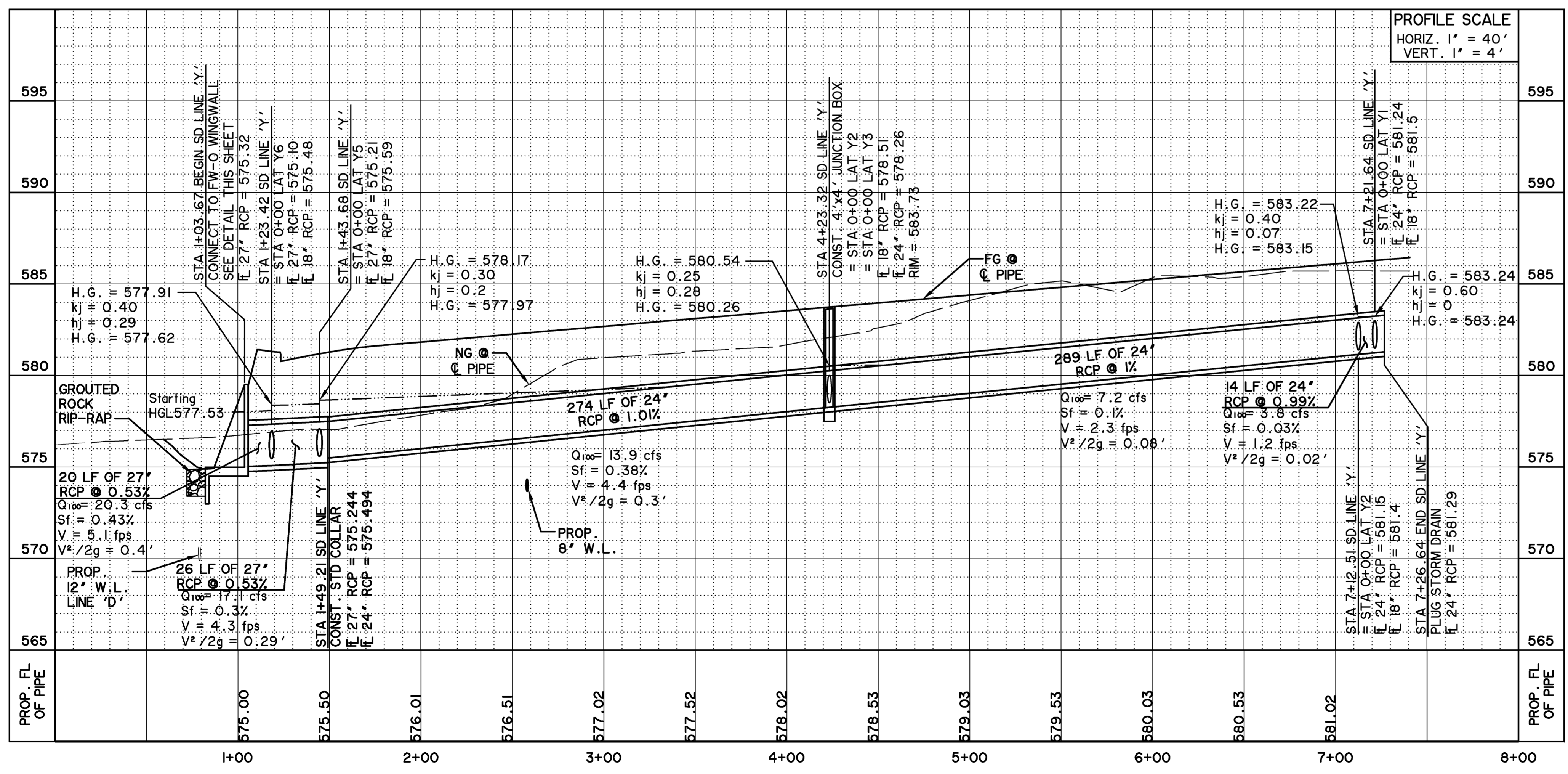
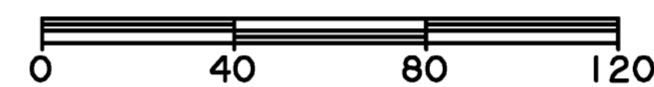
BM A AN "X" CUT IN THE BACK OF CURB LOCATED AT THE SOUTH RIGHT-OF-WAY LINE OF SPRINGER ROAD ±2470' EAST OF THE INTERSECTION OF SPRINGER ROAD AND F.M. 549. 598.80 FT.

BM B AN "X" CUT IN THE BACK OF CURB LOCATED AT THE NORTH RIGHT-OF-WAY LINE OF DISCOVERY BOULEVARD ±580' EAST OF THE INTERSECTION OF DISCOVERY BOULEVARD AND F.M. 549. 599.82 FT.

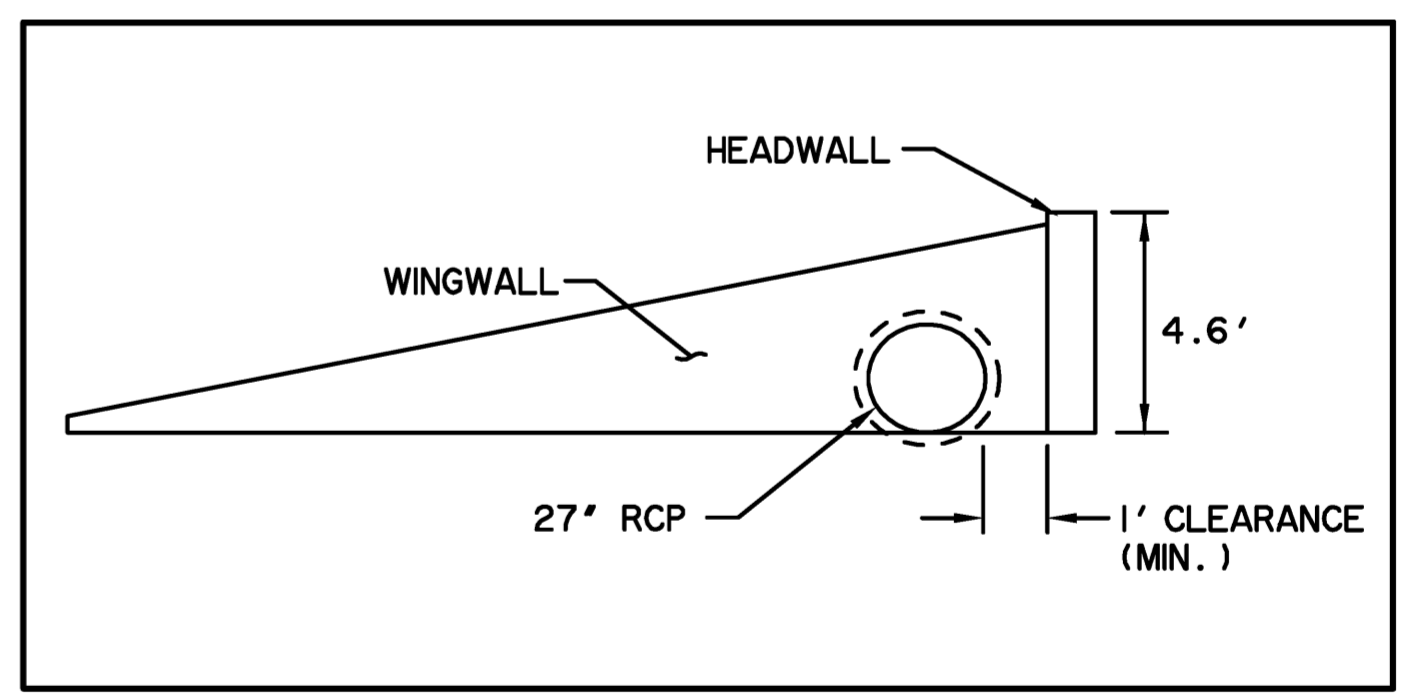
BM C - AN "□" CUT IN DISCOVERY BOULEVARD IN A MEDIAN NOSE ±60' WEST OF THE INTERSECTION OF DISCOVERY BOULEVARD AND F.M. 549. 598.20 FT.



**STORM DRAIN LINE 'Y'**



\* ALL RESPONSIBILITY FOR ADEQUACY OF DESIGN REMAINS WITH THE DESIGN ENGINEER. THE CITY OF ROCKWALL, IN REVIEWING AND RELEASING PLANS FOR CONSTRUCTION, ASSUMES NO RESPONSIBILITY FOR ADEQUACY OF DESIGN.\*

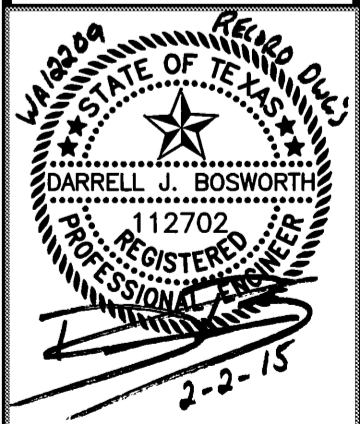


**WINGWALL CONNECTION DETAIL**  
 N.T.S.

**RECORD DRAWING**  
**02/02/2015**  
 TO THE BEST OF OUR KNOWLEDGE WIER & ASSOCIATES, INC., HERBY STATES THAT THIS PLAN IS AS-BUILT. THIS INFORMATION PROVIDED IS BASED ON SURVEYING AT THE SITE AND INFORMATION PROVIDED BY THE CONTRACTOR.

**ROCKWALL TECHNOLOGY PARK PHASE IV**

**STORM DRAIN PLAN AND PROFILE**  
**LINE 'Y'**



COPYRIGHT © WIER & ASSOCIATES, INC.  
 LAST SHEET EDIT DATE: 01/22/2015  
 WA# 12209  
**SHEET NO. D306**

TIME: 16:30 FILE: D306-SD-LN-Y-12209.dwg