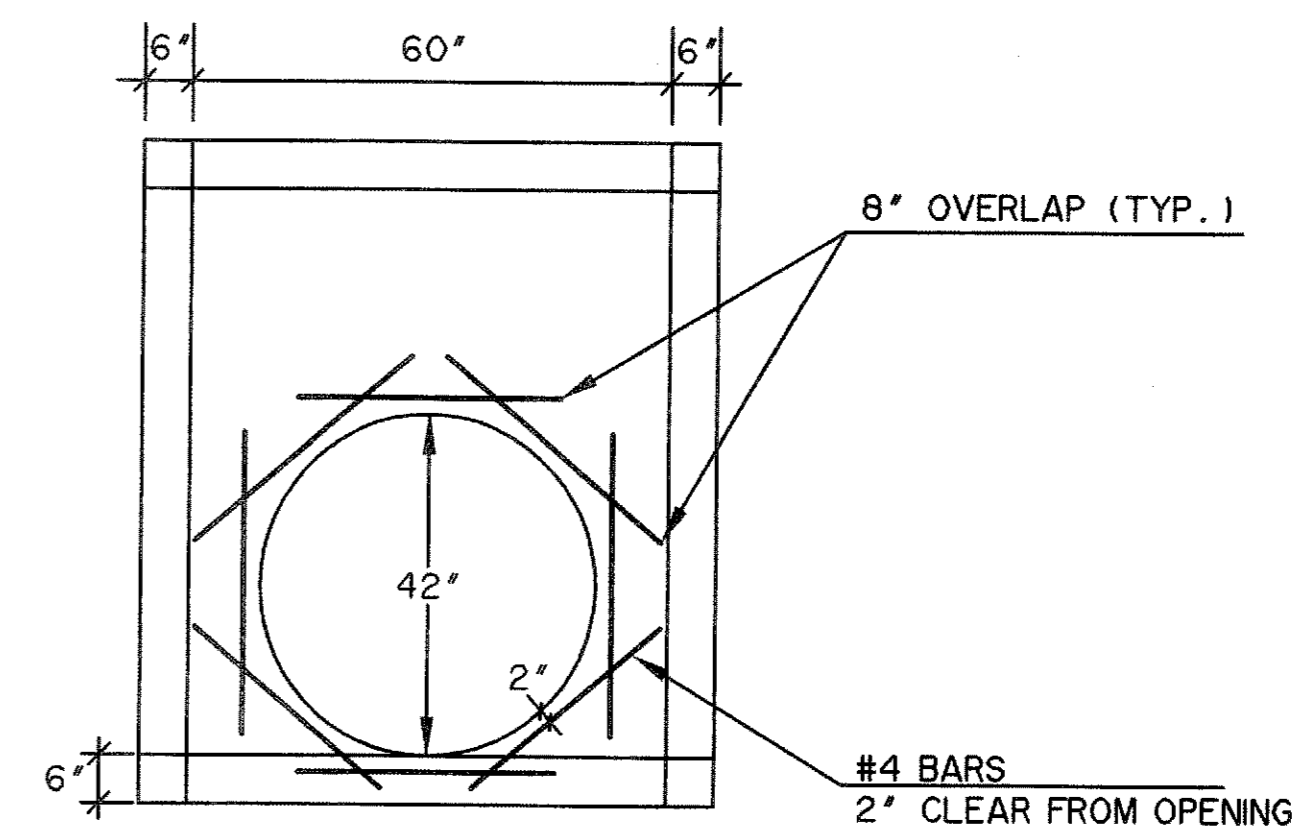
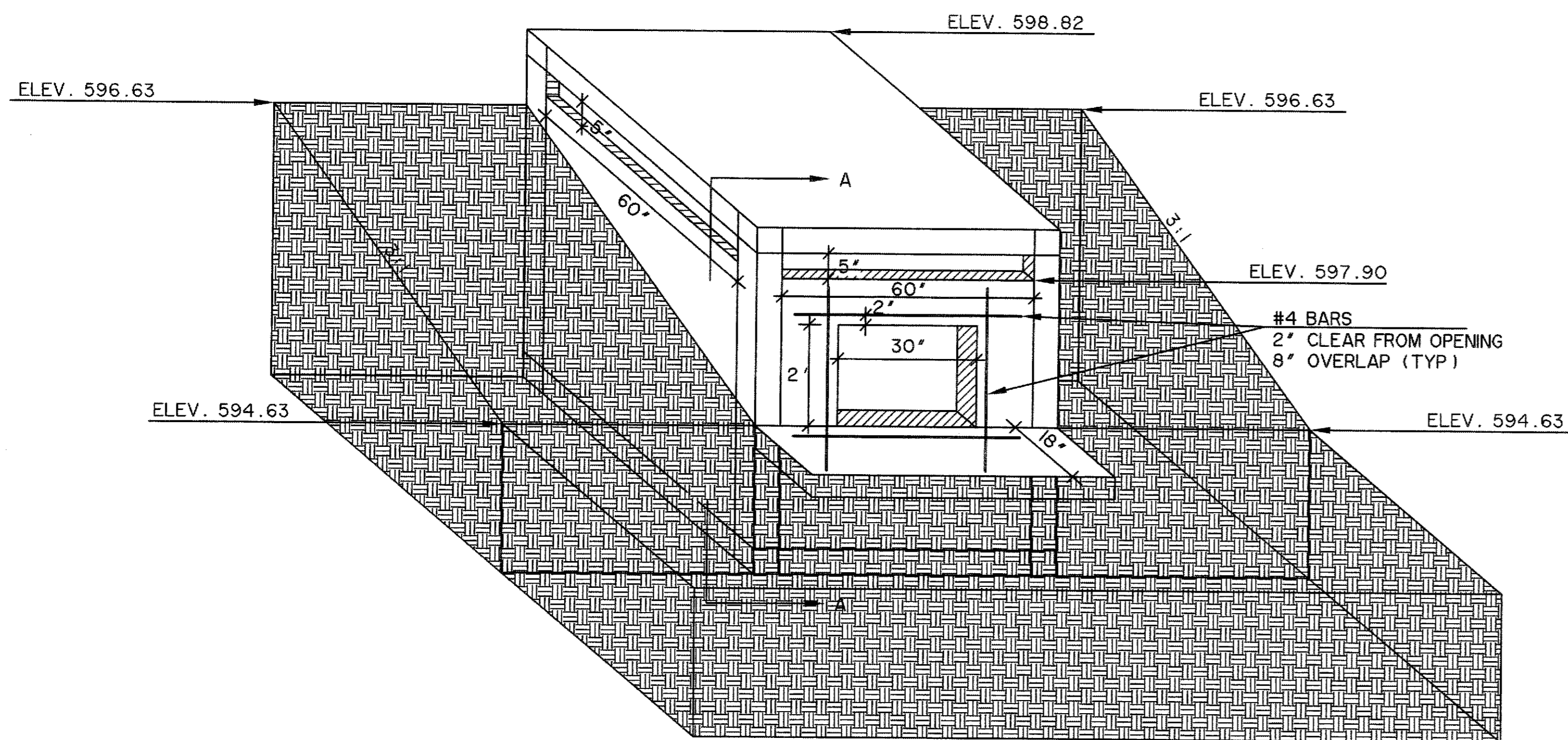


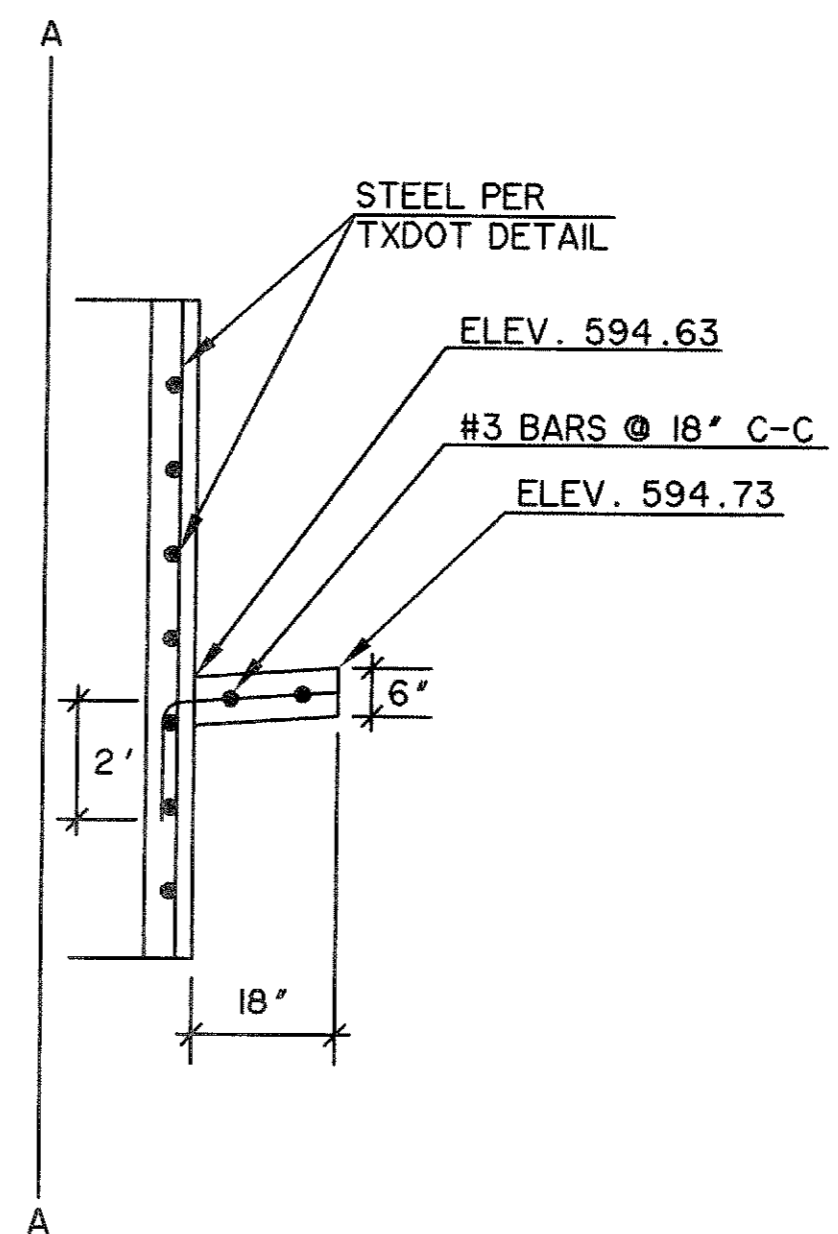
REAR VIEW
N.T.S.



**REAR VIEW SHOWING
ADDITIONAL REINFORCEMENT**
N.T.S.



FRONT VIEW
N.T.S.



SECTION A-A
N.T.S.

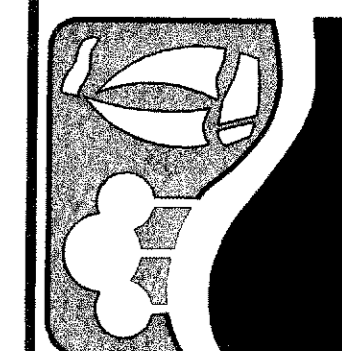
INLET STRUCTURE FOR STORM DRAIN LINE 'R'
N.T.S.

- NOTES:
- 3 SIDES OF INLET STRUCTURE HAVE STANDARD 5' WIDE x 6" HIGH OPENING.
 - SEE TXDOT DETAIL ON SHEET D502 & D503 FOR STEEL REINFORCEMENT.
 - PROVIDE ADDITIONAL REINFORCEMENT AROUND OPENINGS AS SHOWN THIS SHEET.

**RECORD
DRAWING
4/07/2009**

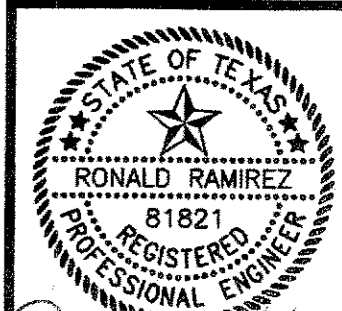
TO THE BEST OF OUR KNOWLEDGE WIER & ASSOCIATES, INC., HERBY STATES THAT THIS PLAN IS AS-BUILT. THIS INFORMATION PROVIDED IS BASED ON SURVEYING AT THE SITE AND INFORMATION PROVIDED BY THE CONTRACTOR.

PREPARED BY:
WIER & ASSOCIATES, INC.
ENGINEERS SURVEYORS LAND PLANNERS
701 HIGHLANDER BLVD., SUITE 300 ARLINGTON, TEXAS 76015 METRO (817)467-7700
6849 ELM STREET FRISCO, TEXAS 75034 METRO (214)387-8000
Texas State Registration No. 2776 www.WierAssociates.com



**ROCKWALL
TECHNOLOGY
PARK
PHASE III**

**STORM DRAIN
DETAILS
INLET STRUCTURE LINE 'R'**



Ronald Ramirez
COPYRIGHT ©
WIER & ASSOCIATES, INC.
LAST SHEET EDIT
DATE: 04-07-2009
WA# 98041.04

**SHEET NO.
D501**