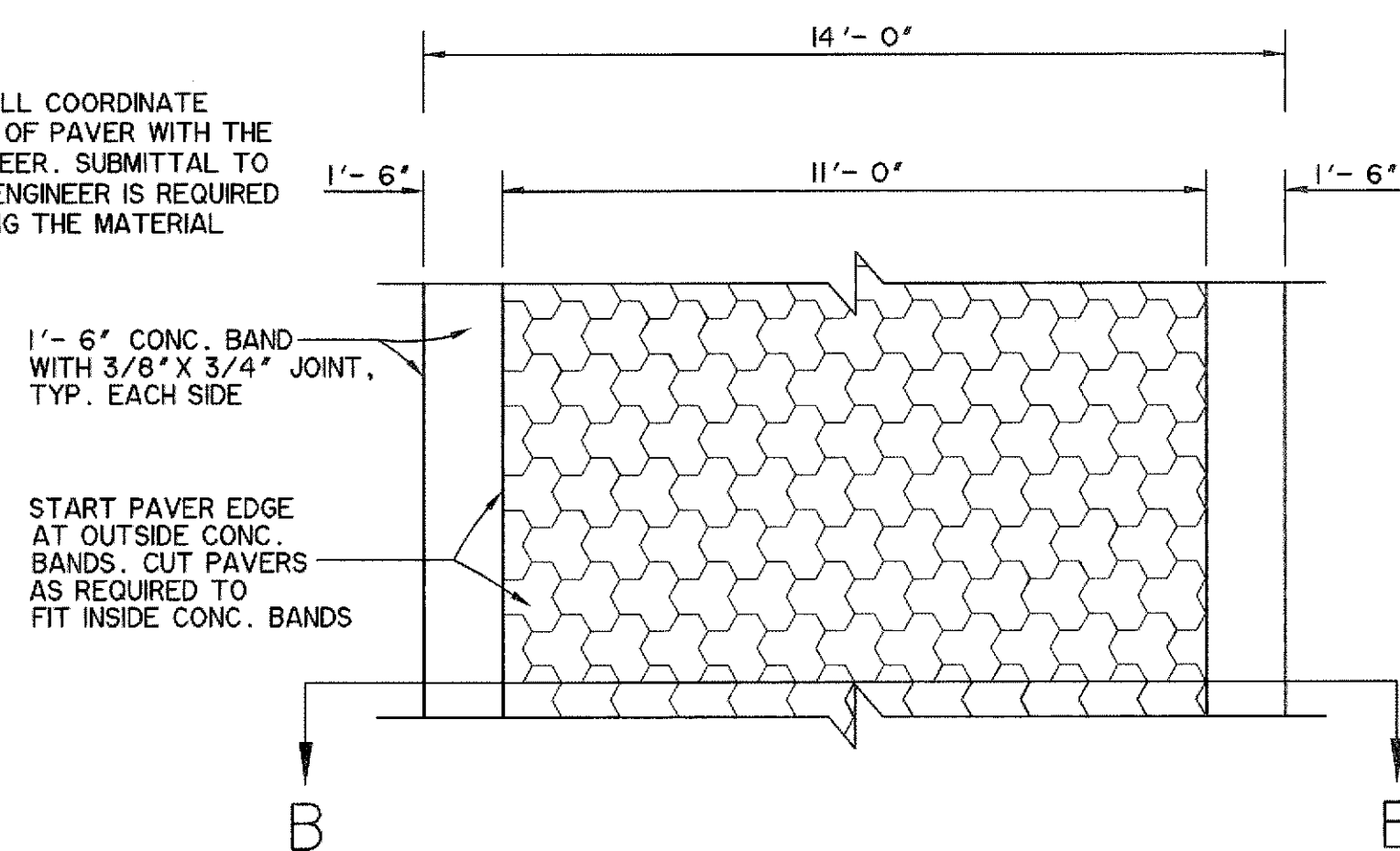
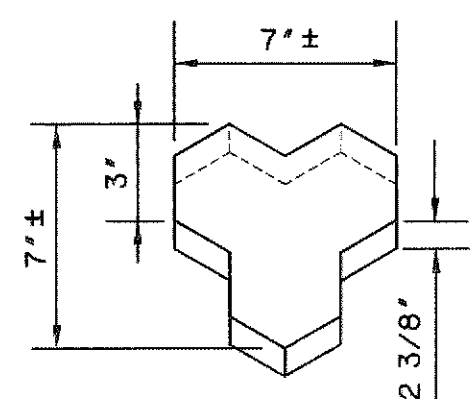


NOTE:  
1. CONTRACTOR SHALL COORDINATE COLOR AND TYPE OF PAVER WITH THE OWNER AND ENGINEER. SUBMITTAL TO THE OWNER AND ENGINEER IS REQUIRED PRIOR TO ORDERING THE MATERIAL.



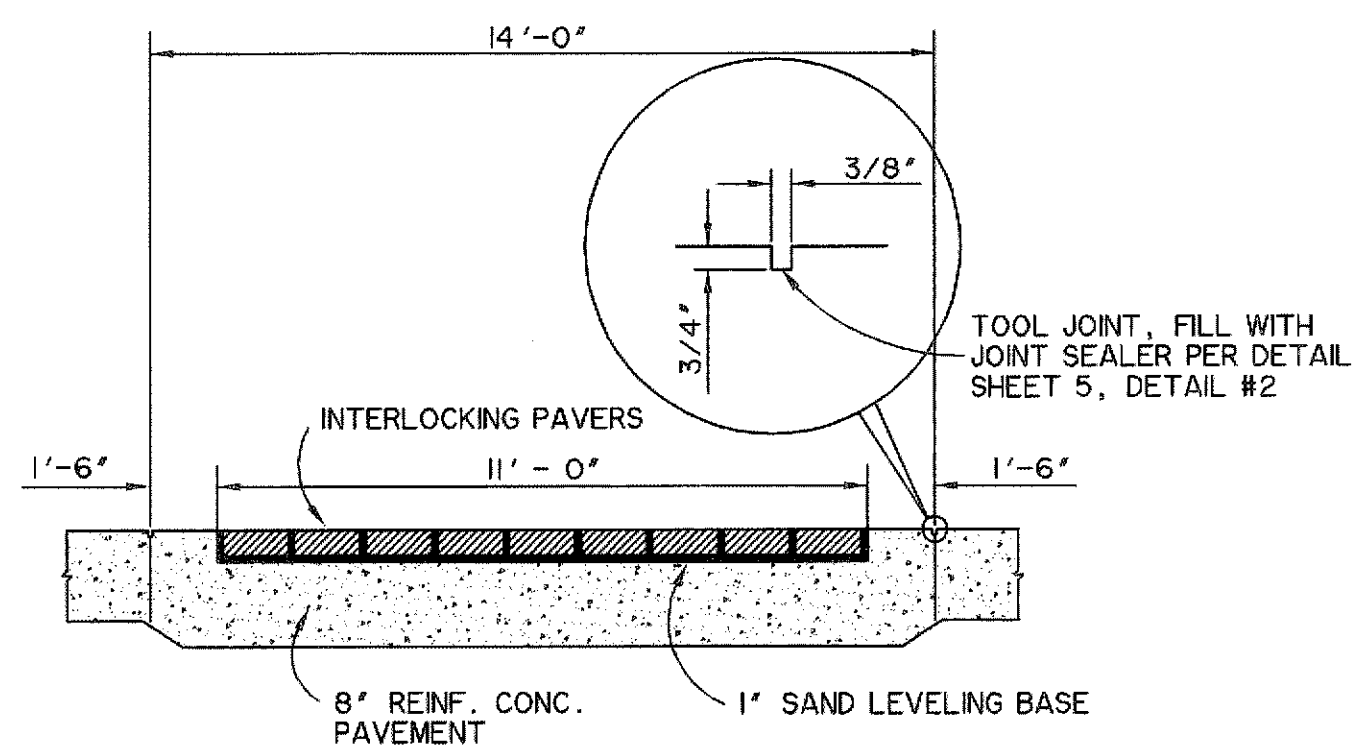
**DIRECTION OF PAVERS**

⊙ INTERSECTION  
SCALE: N.T.S.



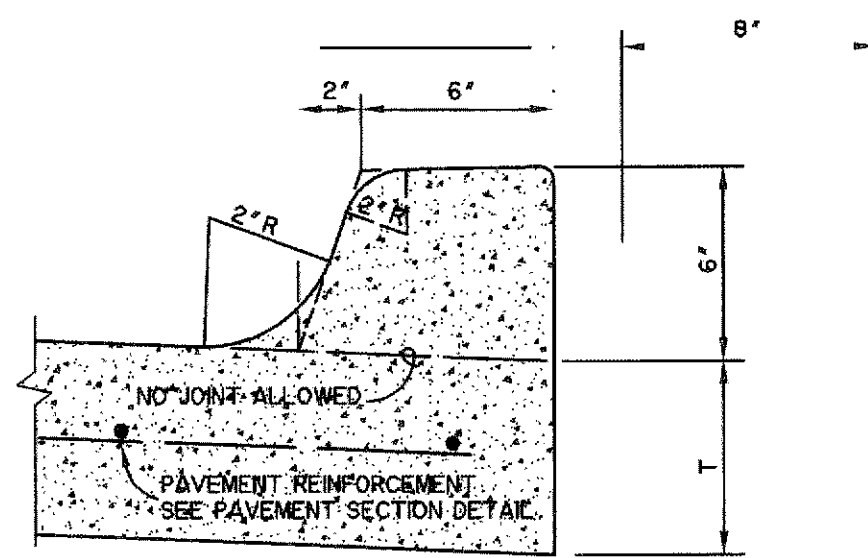
**INTERLOCKING CONCRETE PAVERS**

DISCOVERY BOULEVARD  
SCALE: N.T.S.



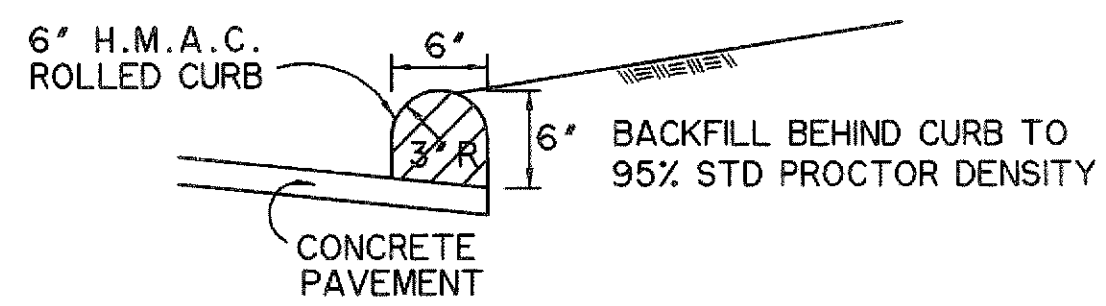
**PAVER SECTION B-B**

⊙ INTERSECTION  
SCALE: N.T.S.



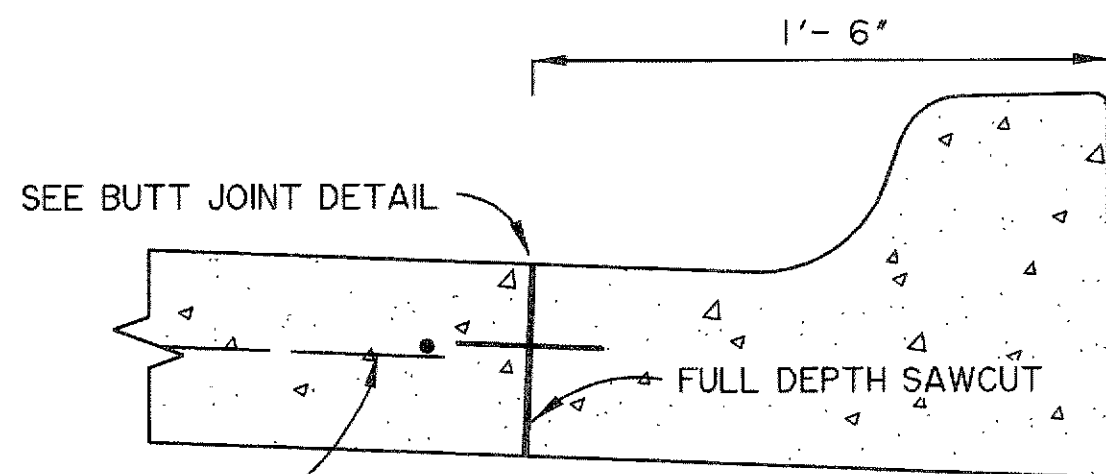
**MONOLITHIC CURB**

N.T.S.



**ROLLED ASPHALT CURB**

N.T.S.



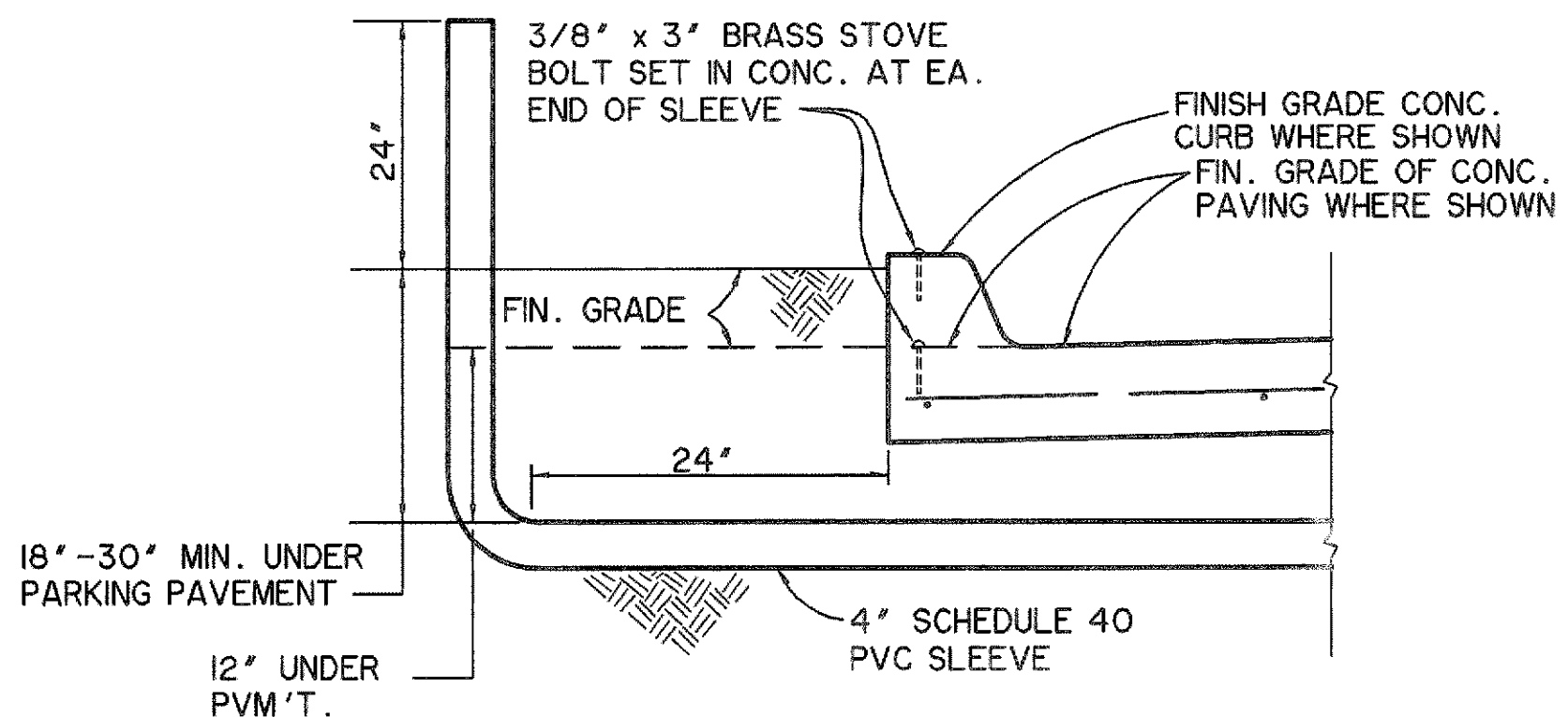
PAVEMENT REINFORCEMENT. SEE PAVEMENT SECTION DETAIL.

CONSTRUCT STANDARD CURB

**TYPICAL SECTION - STANDARD CONCRETE CURB AND GUTTER**

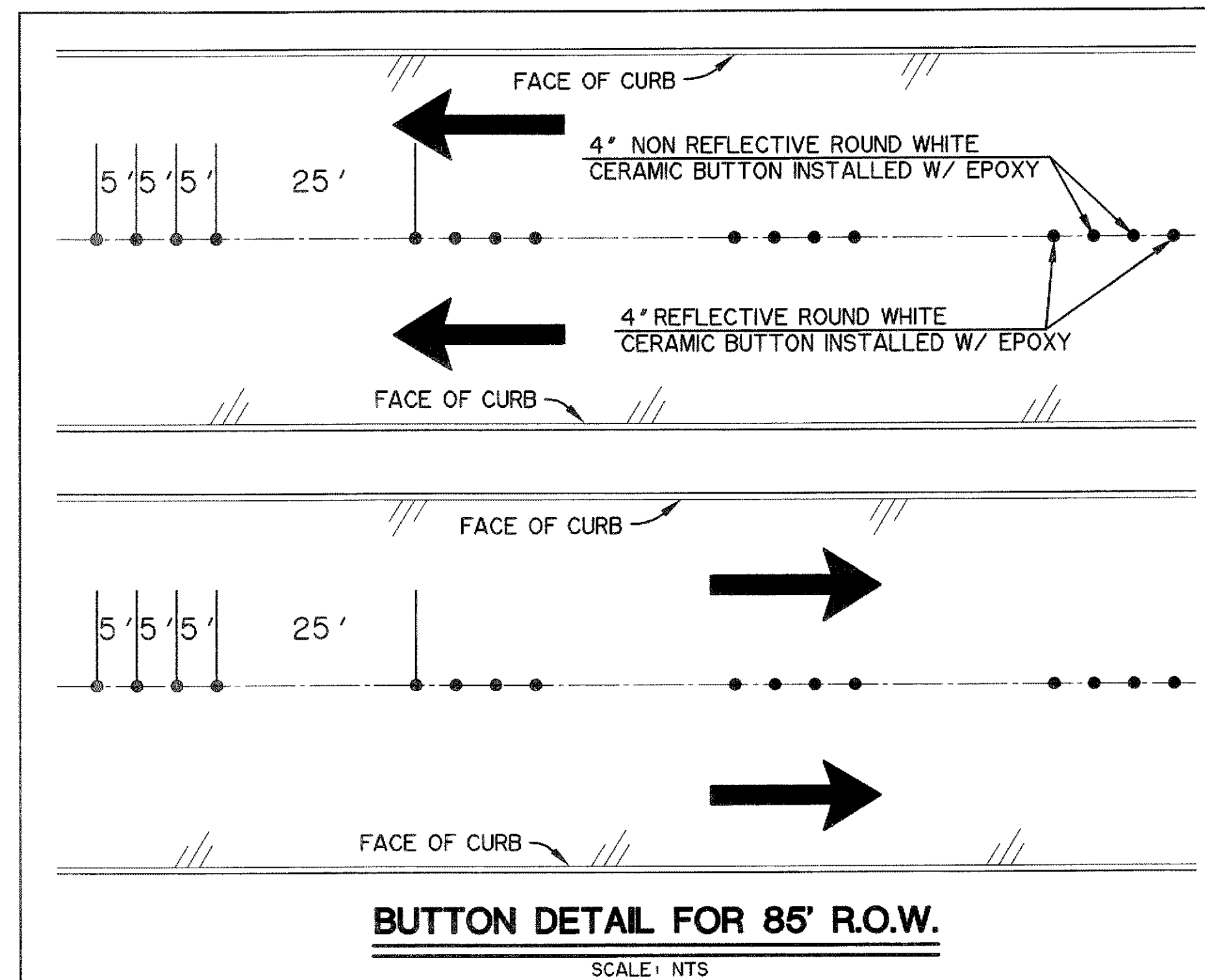
N.T.S.

EXISTING DISCOVERY BOULEVARD STA 6+96.15 TO STA 8+30.57



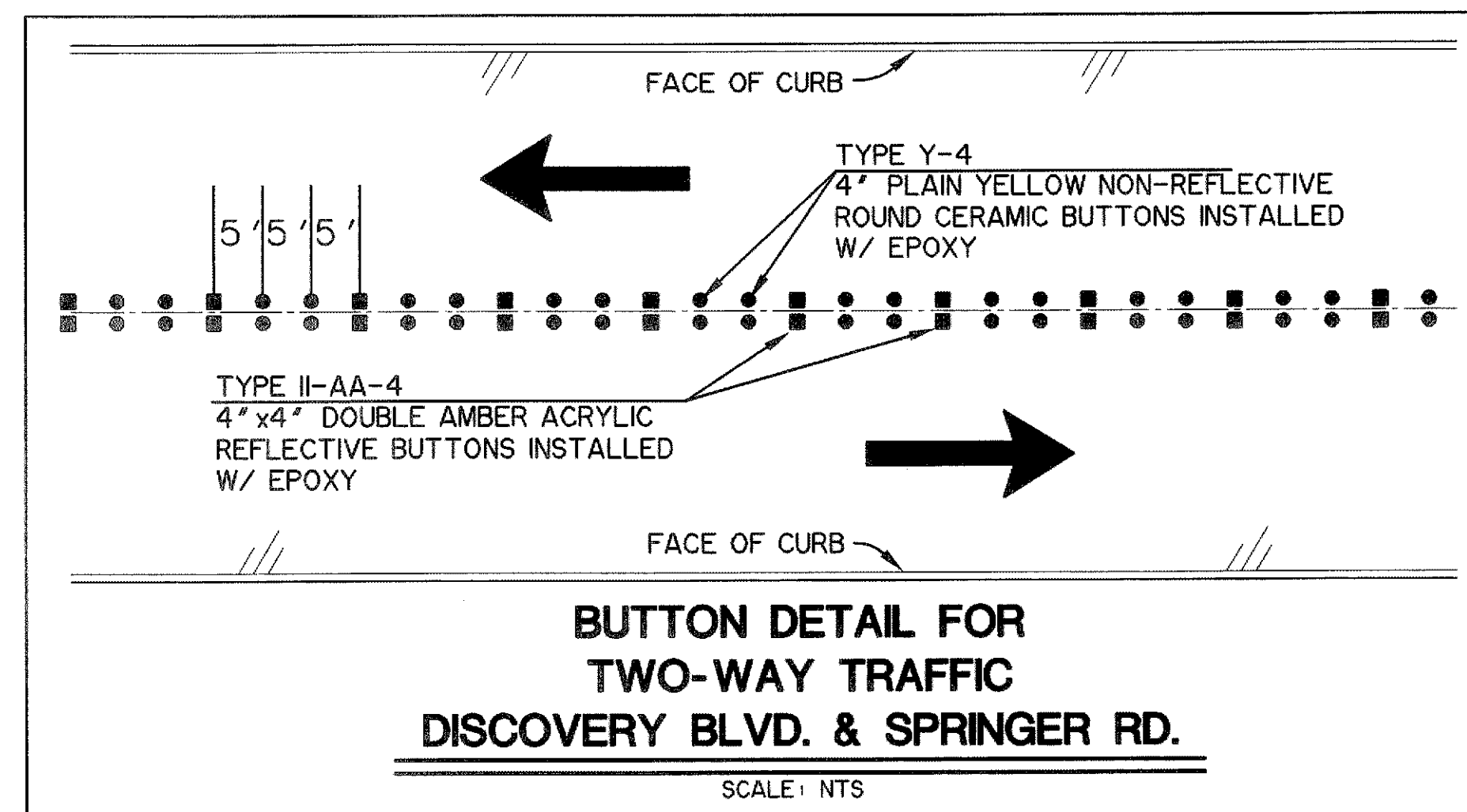
**IRRIGATION SLEEVE UNDER PAVEMENT**

N.T.S.



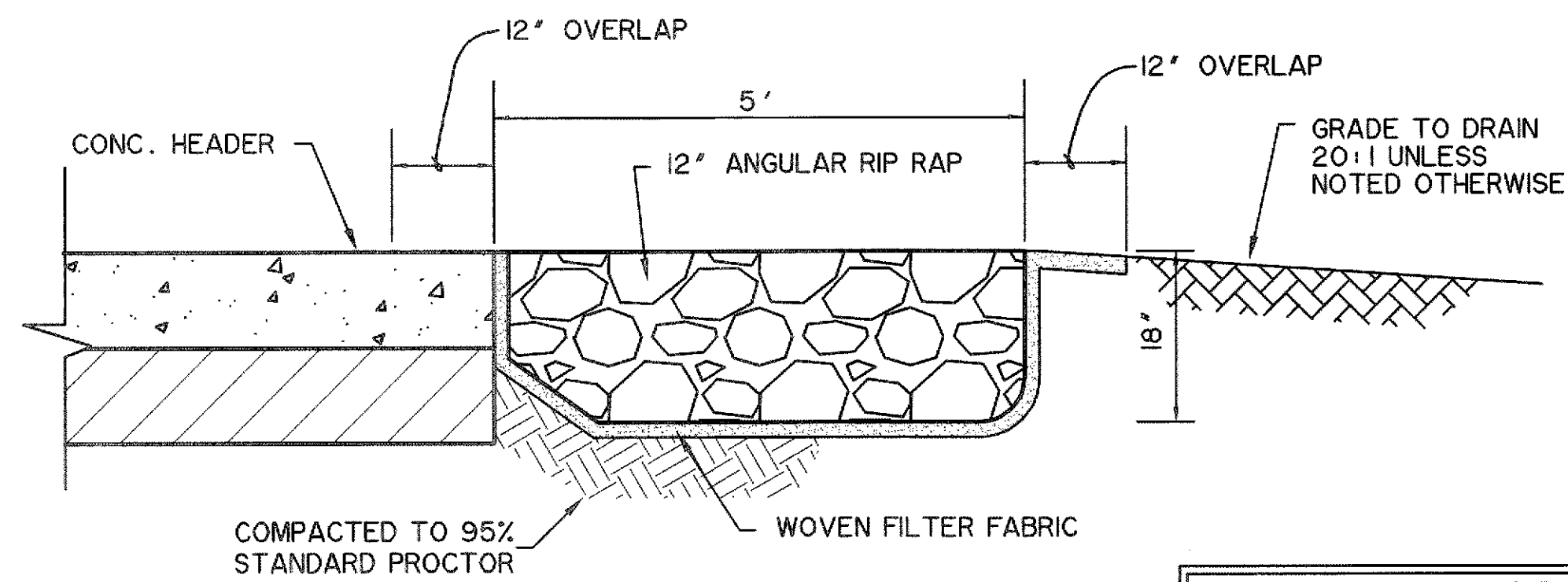
**BUTTON DETAIL FOR 85' R.O.W.**

SCALE: N.T.S.



**BUTTON DETAIL FOR TWO-WAY TRAFFIC DISCOVERY BLVD. & SPRINGER RD.**

SCALE: N.T.S.

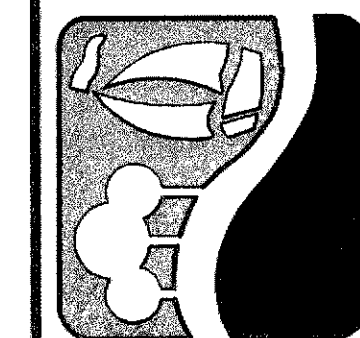


**ANGULAR RIP RAP @ TERMINUS OF PAVING**

N.T.S.

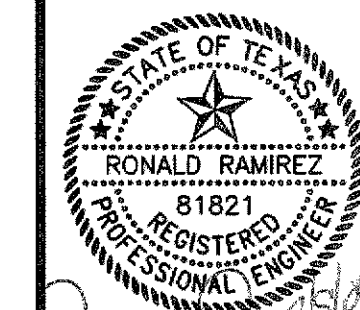
**RECORD DRAWING**  
**4/07/2009**  
TO THE BEST OF OUR KNOWLEDGE WIER & ASSOCIATES, INC., HEREBY STATES THAT THIS PLAN IS AS-BUILT. THIS INFORMATION PROVIDED IS BASED ON SURVEYING AT THE SITE AND INFORMATION PROVIDED BY THE CONTRACTOR.

PREPARED BY:  
**WIER & ASSOCIATES, INC.**  
ENGINEERS SURVEYORS LAND PLANNERS  
701 HIGHLANDER BLVD., SUITE 300 ARLINGTON, TEXAS 76015 METRO (817)487-7700  
8849 ELM STREET FRISCO, TEXAS 75034 METRO (214)387-8000  
Texas State Registration No. 2776 www.wierassociates.com



**ROCKWALL TECHNOLOGY PARK PHASE III**

**PAVING DETAILS**



COPYRIGHT © WIER & ASSOCIATES, INC.  
LAST SHEET EDIT DATE 04-07-2009 WA# 98041.04  
**SHEET NO. PO03**

FILE: P003-PAVDET1-98041-04.dwg TIME: 6:45