

0 20 40 80 120  
GRAPHIC SCALE IN FEET

**LEGEND**

- BL BOLLARD
- EM ELECTRIC METER
- PP POWER POLE
- LS LIGHT STANDARD
- WM WATER METER
- WV WATER VALVE
- ICV IRRIGATION CONTROL VALVE
- PHV FIRE HYDRANT
- CA CLEANOUT
- MH MANHOLE
- TSC TRAFFIC SIGNAL CONTROL
- TSP TRAFFIC SIGNAL POLE
- TBP TELEPHONE BOX
- FL FLOOD LIGHT
- FP FLAG POLE
- TS TRAFFIC SIGN
- IRS 1/2-INCH IRON ROD
- (C.M.) W/PACHECO KOCH" CAP SET
- PROPERTY LINE
- FENCE
- OH OVERHEAD UTILITY LINE
- 613 EXIST CONTOUR
- 612.39 EXIST SPOT ELEVATION
- 612.39 EXIST TOP OF CURB ELEVATION
- 611.89 EXIST GUTTER ELEVATION
- 400 PROPOSED CONTOUR
- TC 614.50 PROPOSED TOP OF CURB ELEVATION
- G 614.00 PROPOSED GUTTER ELEVATION
- EL 614.25 PROPOSED SPOT ELEVATION
- M.G. MATCH EXISTING GRADE
- TW 620.50 PROPOSED TOP OF WALL ELEVATION
- EL 614.00 PROPOSED GROUND ELEVATION AT BOTTOM OF WALL
- PROPOSED SWALE
- PROPOSED FENCE
- PROPOSED DRAINAGE FLOW DIRECTION
- GRADE BREAK

**NOTE:**  
REFER TO SHEET C2.2  
FOR GRADING & DRAINAGE  
GENERAL NOTES AND  
BENCHMARK LIST

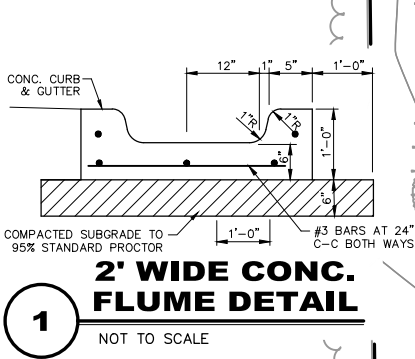
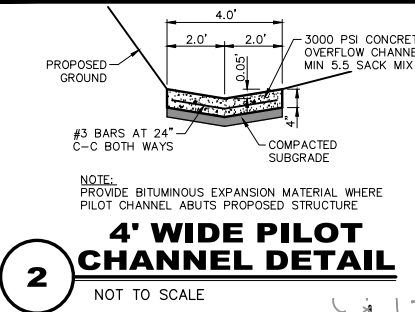
**!!! WARNING !!!**

EXISTING OVERHEAD/UNDERGROUND  
TELEPHONE, ELECTRIC AND UNDERGROUND  
GAS AND FIBER OPTIC UTILITIES IN THE AREA.  
CONTACT UTILITY COMPANIES 48 HOURS PRIOR  
TO CONSTRUCTION AT 1-800-DIG-TESS.

**RECORD DRAWING**

THE SIGNED AND SEALED CONSTRUCTION DOCUMENT HAS BEEN  
REVISED TO REFLECT CONSTRUCTION RECORDS MAINTAINED  
AND PROVIDED BY THE CONTRACTOR FOR THIS PROJECT. THE  
INFORMATION SHOWN ON THIS RECORD DRAWING, WHICH WAS  
PROVIDED BY THE CONTRACTOR, OR OTHERS NOT ASSOCIATED  
WITH THE DESIGN ENGINEER, CANNOT BE VERIFIED FOR  
ACCURACY OR COMPLETENESS. PACHECO KOCH SHALL ASSUME  
NO LIABILITY FOR ANY CHANGES MADE DURING CONSTRUCTION  
THAT WERE NOT SPECIFICALLY APPROVED BY THE ENGINEER  
PRIOR TO CONSTRUCTION. THE SEALED CONSTRUCTION  
DRAWINGS ARE ON FILE AT THE OFFICES OF PACHECO KOCH.

ATTESTED BY:  
SIGNATURE: *Chet Leugers, P.E.*  
ENGINEER OF RECORD: CHET LEUGERS, P.E.  
CONTRACTOR: MILLER-VALENTE CONSTRUCTION  
DATE REVISED: 06/08/2017



NELSON 6/14/2017 11:51 AM M:\DWG-37\3782-16.05A\DWG\CIVIL C.3D 2015\3782-16.054GRAD.DWG

	06/09/2017	RECORD DRAWINGS							
		<b>REVISION</b>							
		<b>Pacheco Koch</b>		7557 RAMBLER ROAD, SUITE 1400 DALLAS, TX 75231 972.235.3031 TX REG. ENGINEERING FIRM F-14439 TX REG. SURVEYING FIRM LS-10193805					
<b>GRADING PLAN</b>									
<b>ROCKWALL MANUFACTURING FACILITY</b>									
<b>LOT 1, BLOCK A, ROCKWALL</b>									
<b>TECHNOLOGY PARK, PHASE IV</b>									
<b>CITY OF ROCKWALL, ROCKWALL COUNTY, TEXAS</b>									
DESIGN	DRAWN	DATE	SCALE	NOTES	FILE				
CTL	RHB	JULY 2016	1"=40'			<b>C2.1</b>			