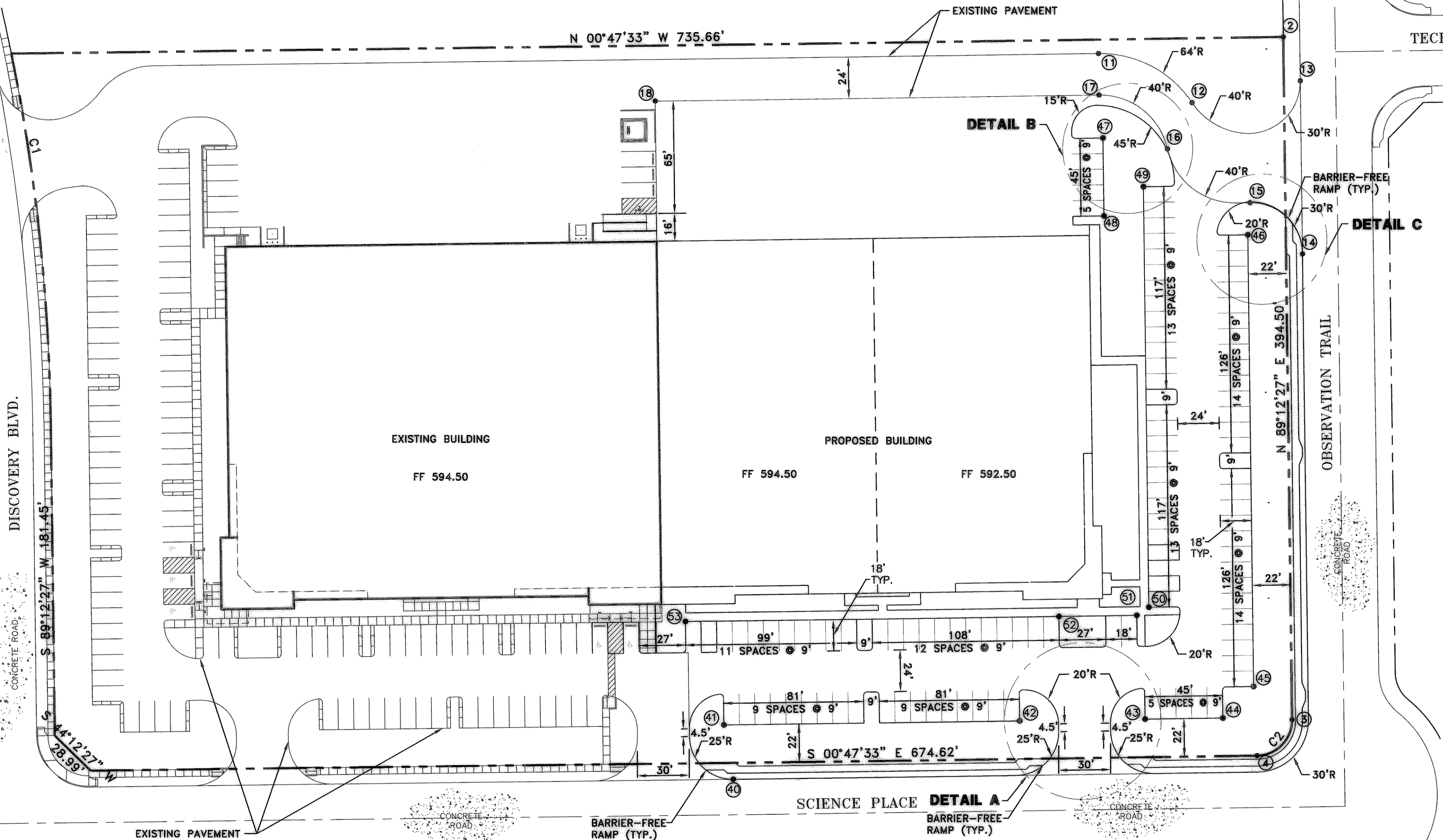
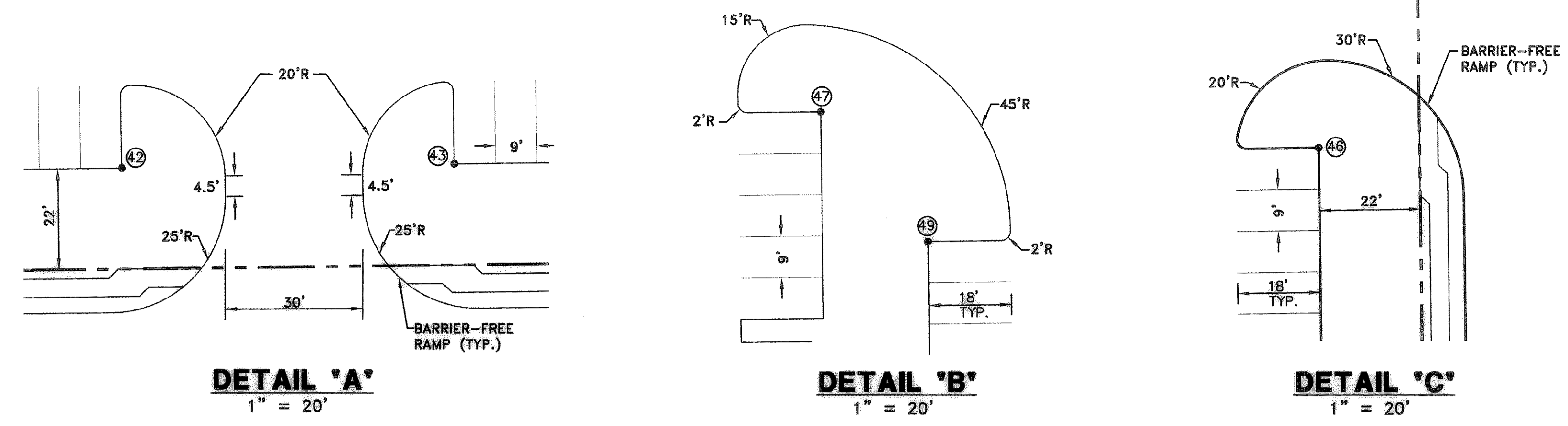
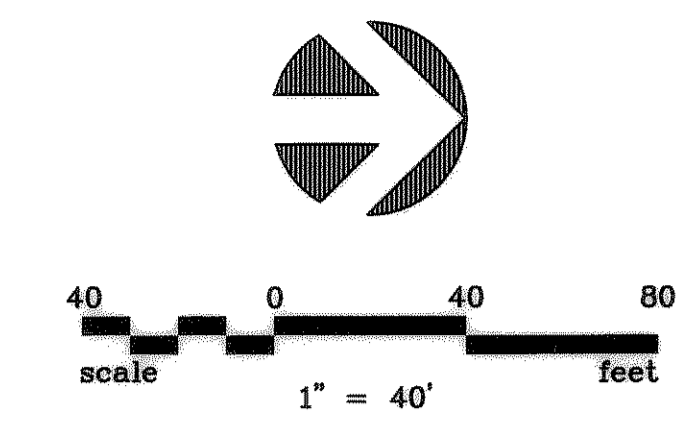


NO.	DATE	REVISION	APPROV.
1	10/09/01	REVISED PER CONSTRUCTION RECORDS	JFW
2			
3			



COORDINATE TABLE

POINT NUMBER	NORTHING	EASTING
40	7021009.6457	2606773.2351
41	7021004.2105	2606741.8073
42	7021278.4347	2607659.1667
43	7021350.9277	2607658.1639
44	7021292.6829	2606737.8167
45	7021310.4322	2606719.5695
46	7021740.9173	2607650.2661
47	7021557.5354	2607650.1403
48	7021223.6625	2606447.6437
49	7021580.9274	2607678.3195
50	7021249.7933	2606673.8039
51	7021242.8576	2606678.5002
52	7021197.8619	2606679.1227
53	7020981.8826	2606682.1104

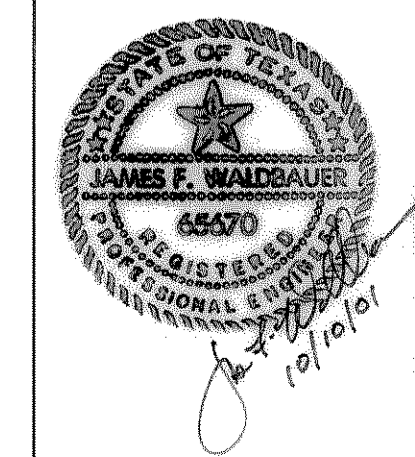
CURVE DATA

NUMBER	RADIUS	DELTA	LENGTH	CHORD DIRECTION	CHORD
C1	1142.50	10°44'49"	214.30	S 83°50'02" W	213.99
C2	20.50	90°00'00"	32.20	S 45°47'33" E	28.99

BENCHMARK:

- CITY MON. NO. 2
LOCATED ON THE NORTHWEST CORNER
OF THE BRIDGE @ I-30 AND F.M. 549
ELEVATION = 609.56
- "□" CUT IN THE CENTER OF A 4 FOOT
HEADWALL LOCATED AT THE NORTHEAST
CORNER OF F.M. 549 AND STATE
HIGHWAY 276
ELEVATION = 592.75

RECORD DRAWING
BASED ON CONTRACTOR MARKUPS,
NOT FIELD SURVEY.



DATE: DECEMBER 2000 SCALE: 1"=40' JOB NO.: 00-245
DRAWN: GBW DESIGN: JFW REVIEWED: BRG DWG: DIMCTRL.DWG

**OFFICE/WAREHOUSE BUILDING PHASE II
DIMENSIONAL CONTROL PLAN**

ROCKWALL ECONOMIC DEVELOPMENT CORPORATION

Grantham, Burge & Waldbauer
Engineers, Inc.
1919 S. SHILOH ROAD, SUITE 530, L.B. 27
GARLAND, TEXAS 75042
(972) 840-1916 (TEL)
(972) 840-2156 (FAX)

SHT. 1A
OF 6A