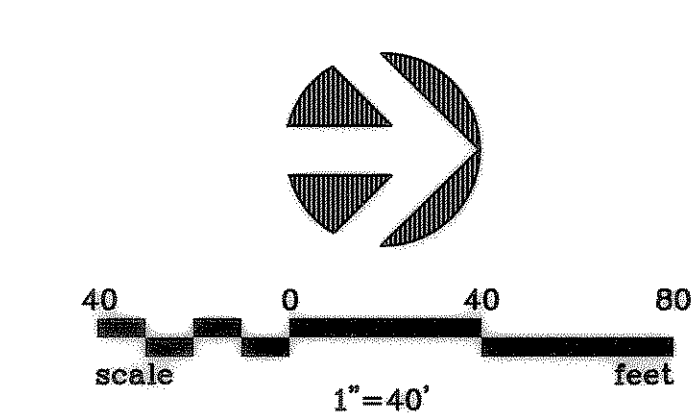
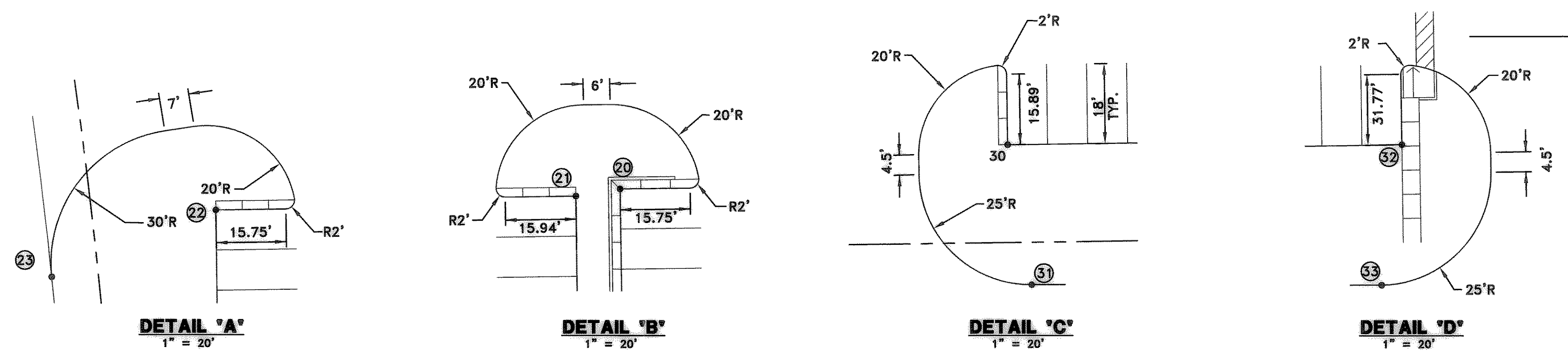
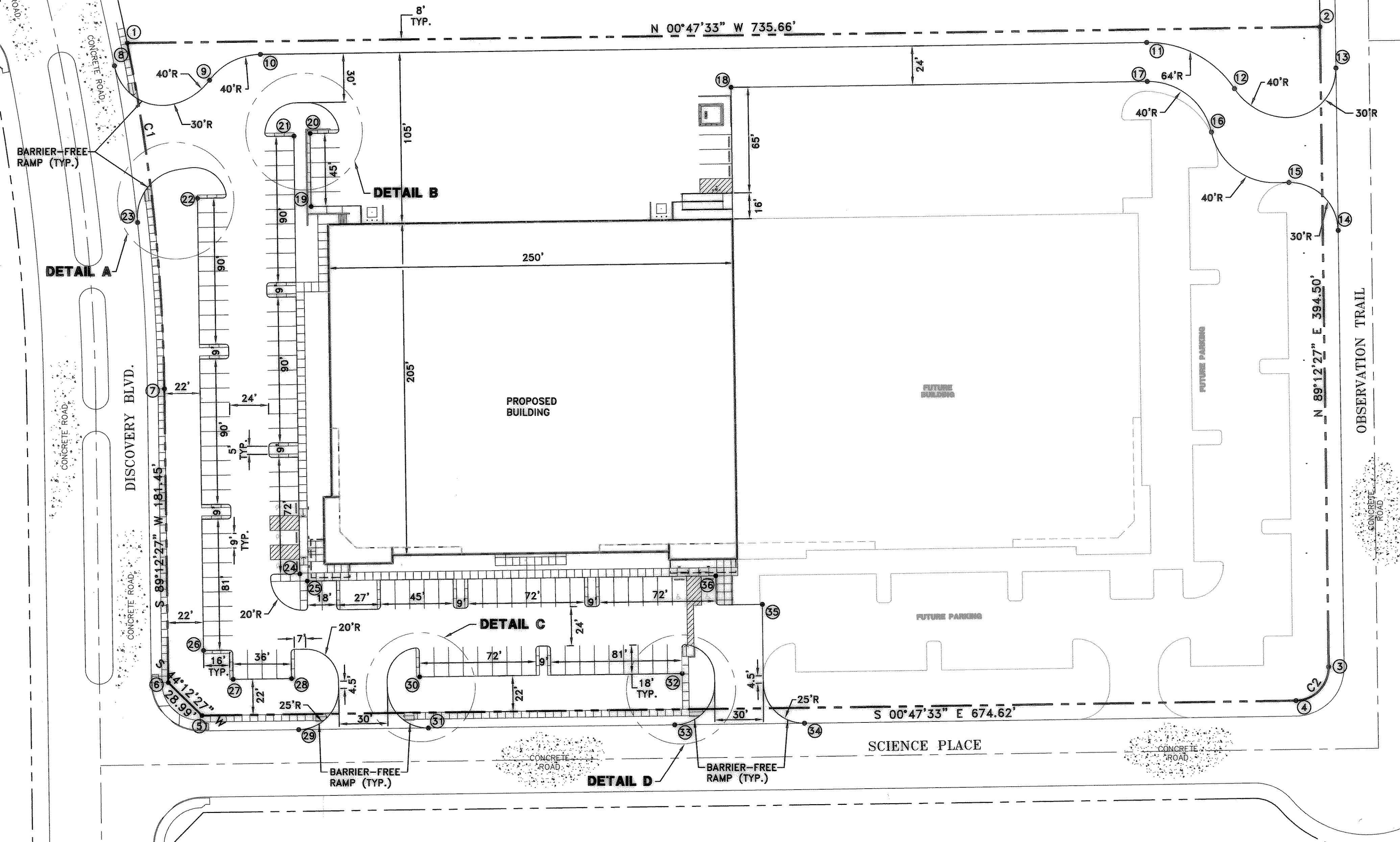


NO.	DATE	REVISION	APPROV.
1	10/09/01	REVISED PER CONSTRUCTION RECORDS	JFW
2			
3			



COORDINATE TABLE

POINT NUMBER	NORTHING	EASTING
1	7020591.6550	2606354.4768
2	7021327.2430	2606344.3010
3	7021332.6998	2606738.7633
4	7021312.4853	2606759.5449
5	7020637.9310	2606768.8763
6	7020617.1494	2606748.6619
7	7020614.6395	2606567.2255
8	7020583.7310	2606368.4798
9	7020642.4335	2606377.2495
10	7020673.8143	2606361.3410
11	7021220.3837	2606355.7800
12	7021274.5296	2606382.2873
13	7021337.0948	2606369.6669
14	7021338.4780	2606469.6578
15	7021308.0659	2606440.0755
16	7021260.2911	2606408.9833
17	7021220.7157	2606377.7777
18	7020964.1015	2606381.3276
19	7020705.0946	2606454.9172
20	7020704.4721	2606409.9215
21	7020694.4938	2606411.5599
22	7020635.0183	2606449.8862
23	7020598.0697	2606464.9134
24	7020698.2286	2606681.5341
25	7020702.7904	2606685.9713
26	7020636.8775	2606728.8595
27	7020657.1247	2606746.6088
28	7020693.1212	2606746.1108
29	7020697.5571	2606777.5524
30	7020772.1291	2606745.0178
31	7020777.5494	2606776.4458
32	7020934.1136	2606742.7770
33	7020929.5345	2606774.3433
34	7021009.5268	2606773.2368
35	7020983.5125	2606700.0896
36	7020954.7663	2606682.4856



CURVE DATA

NUMBER	RADIUS	DELTA	LENGTH	CHORD	DIRECTION	CHORD
C1	1142.50	10°44'49"	214.30	S 83°50'02" W	213.99	
C2	20.50	90°00'00"	32.20	S 45°47'33" E	28.99	

!! CAUTION !!
 EXISTING AND/OR PROPOSED UTILITIES IN AREA.
 CONTRACTOR SHALL CONTACT THE PROPER UTILITY
 COMPANIES AT LEAST 48 HOURS PRIOR TO CONSTRUCTION.
 THESE CONTACTS SHALL INCLUDE, BUT NOT BE
 LIMITED TO THE FOLLOWING COMPANIES:

TXU ELECTRIC	972-485-6277
TXU GAS	1-800-725-0934
NORTH TEXAS CABLE COM.	972-771-0202
SOUTHWESTERN BELL TELEPHONE	214-320-5307

RECORD DRAWING
 BASED ON CONTRACTOR MARKUPS,
 NOT FIELD SURVEY.

DATE:	JULY 2000	SCALE:	1"=40'	JOB NO.:	00-226
DRAWN:	GBW	DESIGN:	JFW	REVIEWED:	BRG
REDC PHASE I OFFICE/WAREHOUSE DIMENSIONAL CONTROL					
ROCKWALL ECONOMIC DEVELOPMENT CORPORATION					
Grantham, Burge & Waldbauer Engineers, Inc.				SHT. 1 OF 7	
1919 S. SHILOH ROAD, SUITE 330, L.B. 27 GARLAND, TEXAS 75042 (972) 840-1916 (TEL) (972) 840-2156 (FAX)					