

DISCOVERY BOULEVARD

INNOVATION DRIVE

ONE-STORY OFFICE/WAREHOUSE FF 594.00

DETECTION EASEMENT

DETECTION EASEMENT

DETECTION EASEMENT

DETECTION EASEMENT

DETECTION AREA

DETECTION EASEMENT

DETECTION EASEMENT

DETECTION EASEMENT

DETECTION EASEMENT

DETECTION EASEMENT

DETECTION EASEMENT

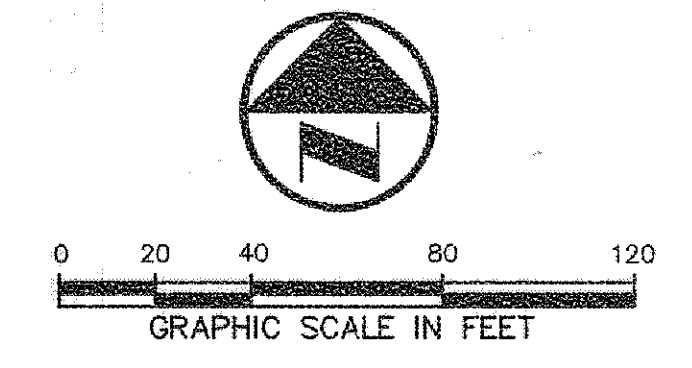
STA 14+89.24 LINE ST-6
END 6" STORM PIPE
INSTALL 1-NO. 12
CATCH BASIN
TOP OF INLET=592.75
FL 6"=591.75

STA 14+70.21 LINE ST-6
INSTALL 1-45° 6" BEND
FL 6"=591.65

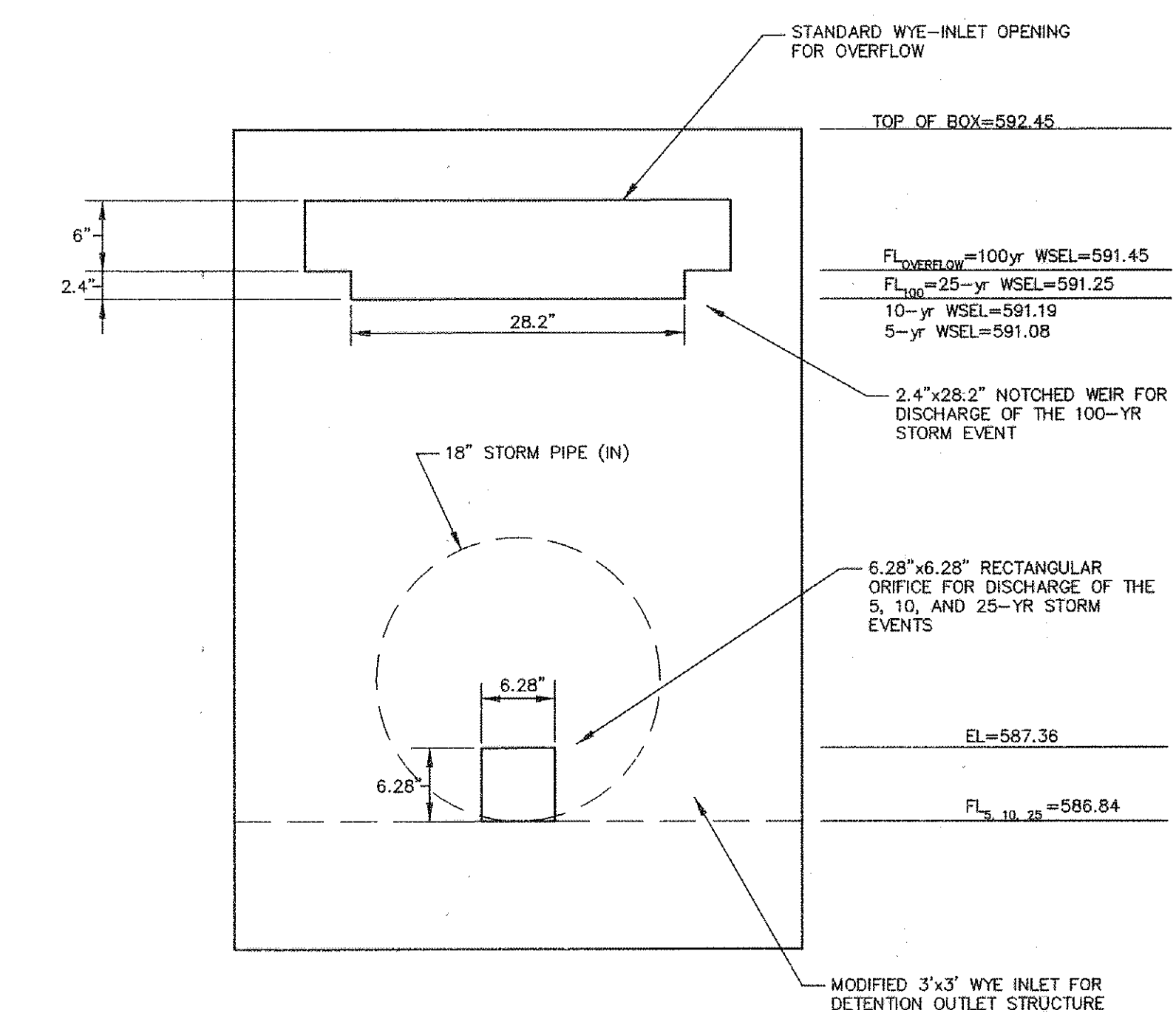
STA 14+82.88 LINE ST-6
INSTALL 1-45° 6" BEND
FL 6"=591.72

STA 0+00 LINE ST-6
BEGIN 6" STORM PIPE
CONTRACTOR TO CUT
PIPE TO MATCH SLOPE
AT OUTFALL.
INSTALL 1.35 SF OF
4"-6" ROCK RIP-RAP
TO A DEPTH OF 12"
DL 6"=590.75

CAUTION!!!
EXISTING GAS MAIN
CONTRACTOR TO
VERIFY LOCATION
AND DEPTH PRIOR
TO INSTALLATION OF
STORM PIPE.



- LEGEND**
- B. BOLLARD
 - EM. ELECTRIC METER
 - PP. POWER POLE
 - LS. LIGHT STANDARD
 - WM. WATER METER
 - WV. WATER VALVE
 - ICV. IRRIGATION CONTROL VALVE
 - PH. FIRE HYDRANT
 - CH. CLEANOUT
 - MH. MANHOLE
 - TSC. TRAFFIC SIGNAL CONTROL
 - TSP. TRAFFIC SIGNAL POLE
 - TELE. TELEPHONE BOX
 - FL. FLOOD LIGHT
 - FP. FLAG POLE
 - TR. TRAFFIC SIGN
 - IRS. 1/2-INCH IRON ROD
 - (C.M.) W/PACHECO KOCH" CAP SET CONTROLLING MONUMENT
 - PROPERTY LINE
 - - - FENCE
 - OH. OVERHEAD UTILITY LINE
 - E. UNDERGROUND ELECTRIC LINE
 - T. UNDERGROUND TELEPHONE LINE
 - C. UNDERGROUND CABLE LINE
 - 6"W. UNDERGROUND WATER LINE
 - 6"SS. UNDERGROUND SANITARY SEWER LINE
 - PROPOSED 100-YR FLOODPLAIN LIMITS

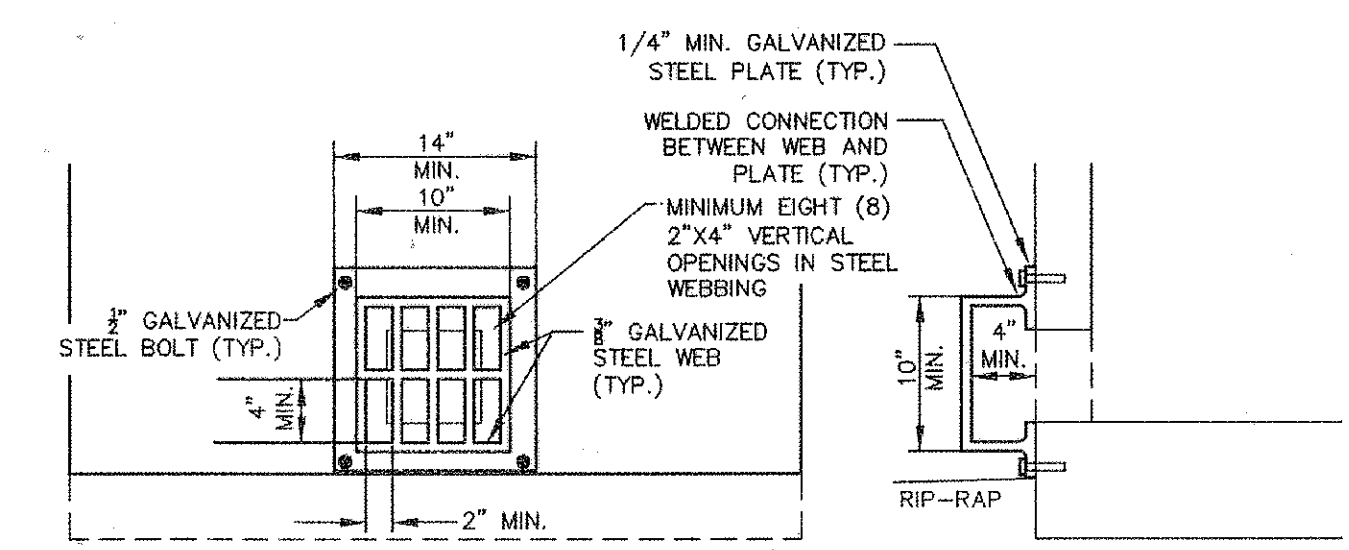


1 DETENTION OUTLET STRUCTURE DETAIL
NOT TO SCALE

DETENTION VOLUME TABLE

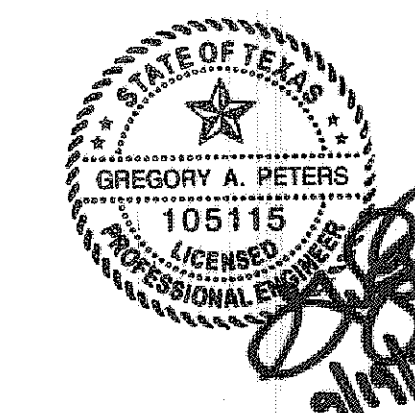
STORM EVENT	VOLUME REQUIRED CU. FT.	WATER SURFACE ELEVATION	VOLUME PROVIDED CU. FT.
100 YR	16,804	591.45	16,836

NOTE:
REFER TO SHEET C4.5 FOR
DETENTION CALCULATIONS



2 OUTLET TRASH RACK DETAIL
NOT TO SCALE

NOTE: CONTRACTOR TO SUBMIT DETAILED SHOP DRAWING OF TRASH RACK TO DESIGN ENGINEER. TRASH RACK SHOP DRAWINGS TO BE APPROVED BY DESIGN ENGINEER AND CITY OF ROCKWALL PRIOR TO INSTALLATION.



RECORD DRAWING

THIS DRAWING HAS BEEN REVISED TO REFLECT CONSTRUCTION RECORDS MAINTAINED AND PROVIDED BY THE CONTRACTOR FOR THIS PROJECT.

CONTRACTOR: HILL & WILKINSON
DATE REVISED: 08/30/2012

NO.	DATE	REVISION
1	8/30/2012	RECORD DRAWING

Pacheco Koch
8350 N. CENTRAL EXPWY, SUITE 1000
DALLAS, TX 75206 972.235.3031
TX REG. ENGINEERING FIRM F-469
DALLAS • FORT WORTH • HOUSTON TX REG. SURVEYING FIRM LS-100080-00

DETENTION PLAN
HATFIELD & COMPANY, INC.
DISCOVERY BLVD. & INNOVATION ST.
ROCKWALL
CITY OF ROCKWALL, ROCKWALL COUNTY, TX

DESIGN	DRAWN	DATE	SCALE	NOTES	FILE	NO.
GAP	GAP	MARCH 2012	1"=40'			C4.4

KUNGLER 08/19/2012 12:30PM M:\DWG-20\0058-11-325\DWG\C30\2058-11-325-ST_DELTA1_GAP.DWG