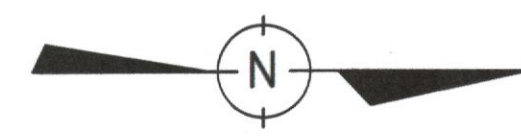
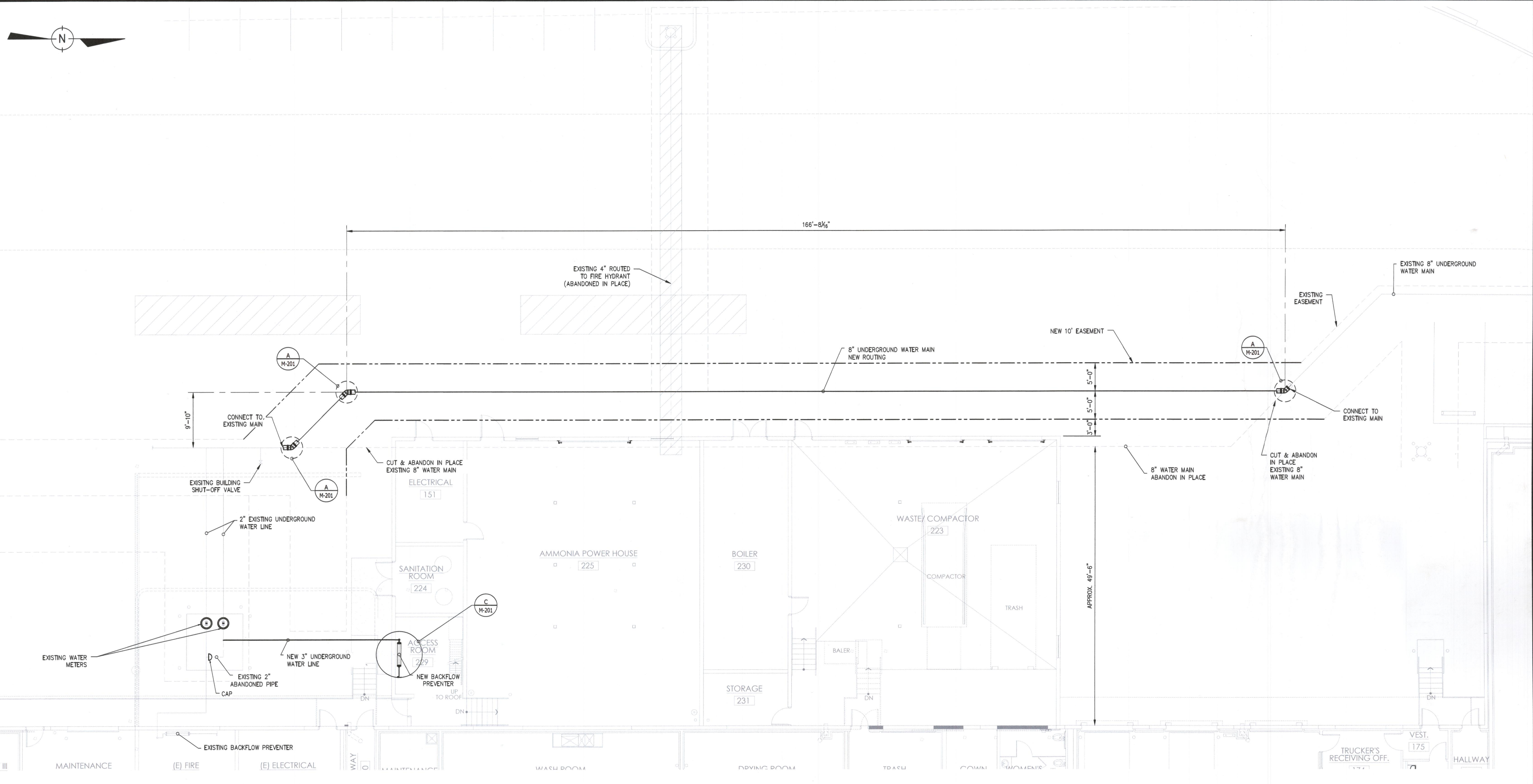


LogName: Jch  
 File: 17161-M-101.dwg  
 Current Profile: Customized Profiles  
 Local: Revision: 17161-M-101.dwg



**SITE VIEW**  
 SCALE: 1/8"=1'-0"



- NOTES:**
1. NEW BACKFLOW PREVENTER TO BE ZURN WILKINS MODEL 350A-OSY WITH STRAINER OPTION OR EQUIVALENT.
  2. NEW PIPE AND FITTINGS TO BE BLUE BRUTE (AWWA C900 - DR 14 CLASS 200) WITH BELL AND SPIGOT JOINTS TO MATCH EXISTING.
  3. REPLACE CONCRETE PAVING AS REQUIRED WITH 6" THK. CONCRETE WITH #4 REBARS @ 18" E.W., (3600 PSI THAT REQUIRES 6.5 SACK MIX MINIMUM). BATCH DESIGN WILL NEED TO BE APPROVED BY ENGINEERING PRIOR TO PLACEMENT. AN ENGINEERING INSPECTION OF THE REBAR AND SUBGRADE IS REQUIRED PRIOR TO PLACEMENT OF CONCRETE.



**DESCRIPTION**  
**PEGASUS FOODS, INC,**  
**BACKFLOW PREVENTER & WATER MAIN RELOCATION**  
**PLANS & ELEVATIONS**  
 SITE LOCATION: ROCKWALL, TEXAS

**AS-BUILT**  
 07/13/2018

NO.	COMMENTS	BY	DATE	REFERENCE DRAWINGS
0	ISSUED FOR CONSTRUCTION	WPJ	08/08/2017	
1	POUR BACK CONCRETE NOTE ADDITION	WPJ	09/13/2017	
2	TEE ADDITION	WPJ	10/19/2017	
3	AS-BUILT PER CONTRACTOR COMMENTS	JH	07/13/2018	

ENGINEERED BY	DRAWN BY	DATE
WPJ	JCG	08/28/2017
CHECKED BY	DATE	
WPJ	08/30/2017	
APPROVED BY	DATE	
MJR	08/30/2017	

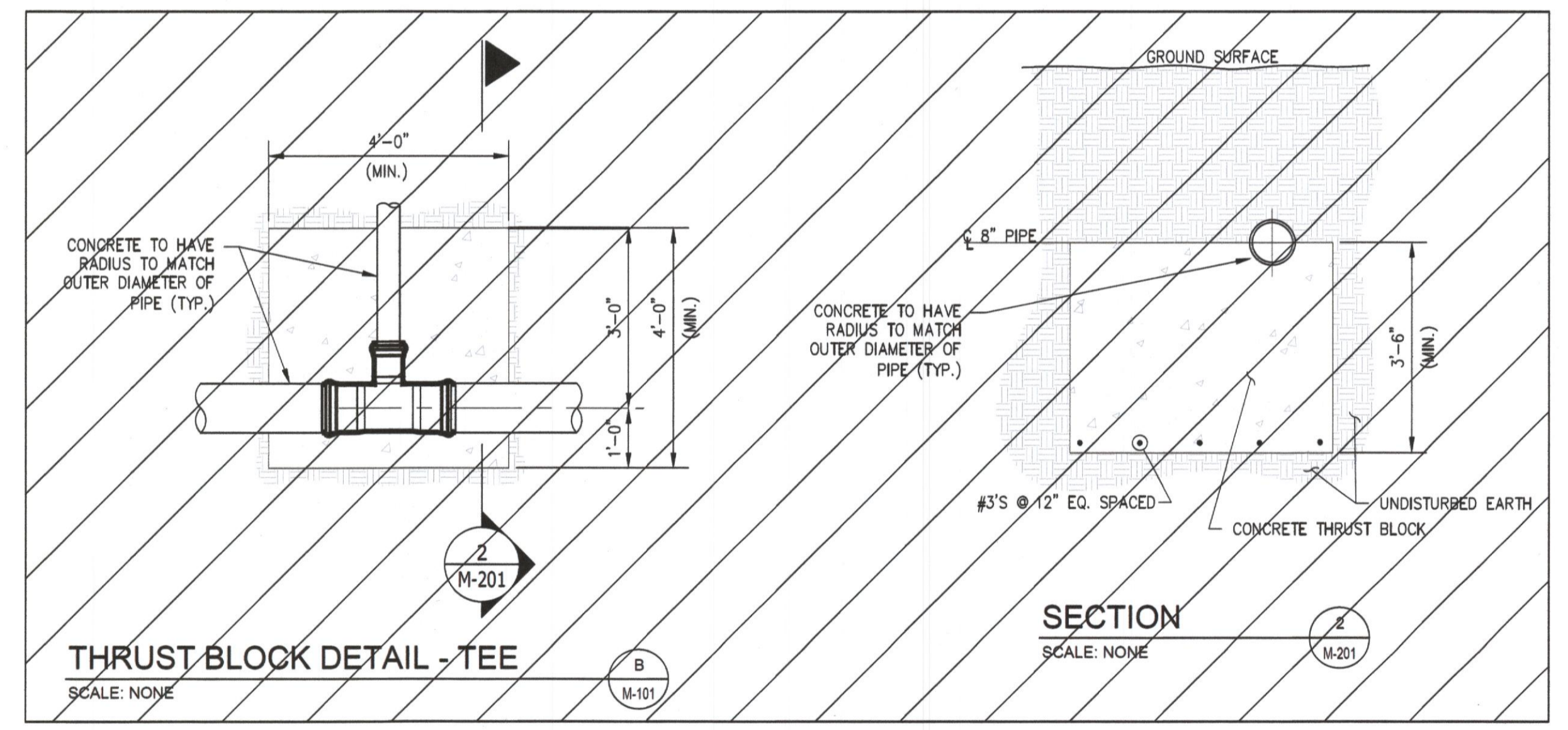
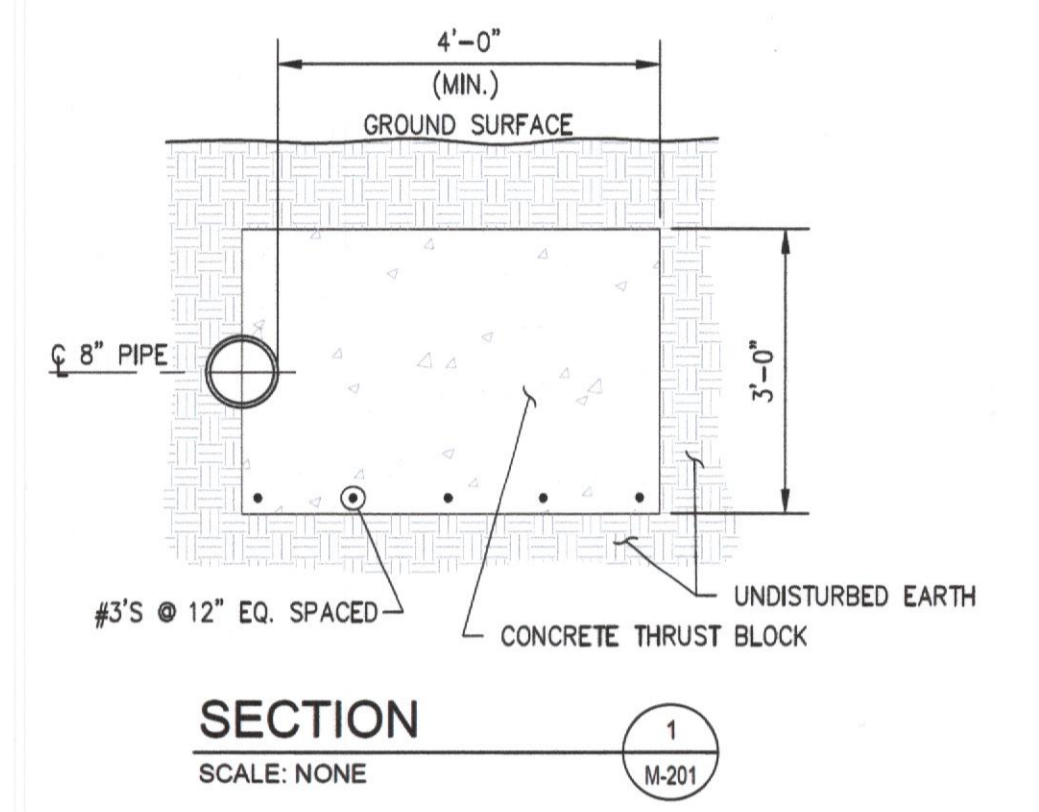
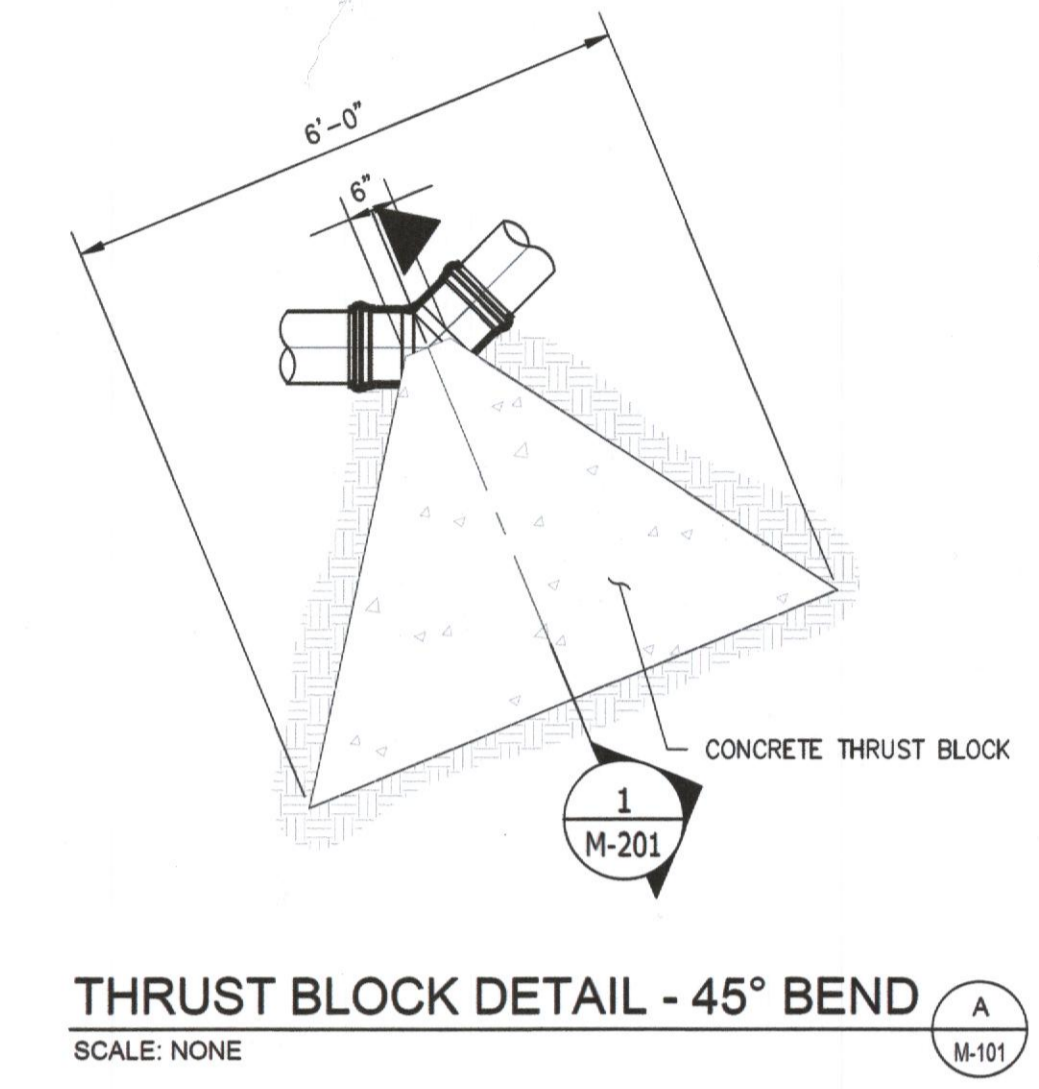
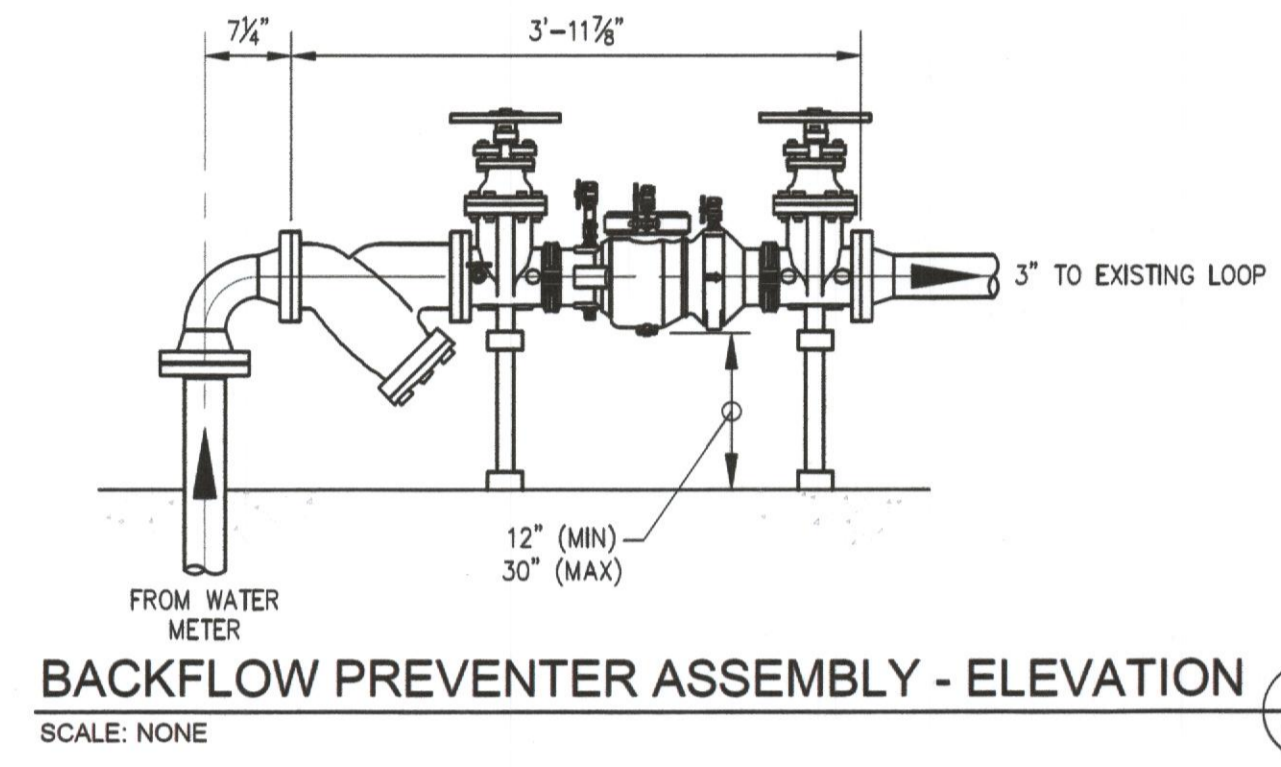
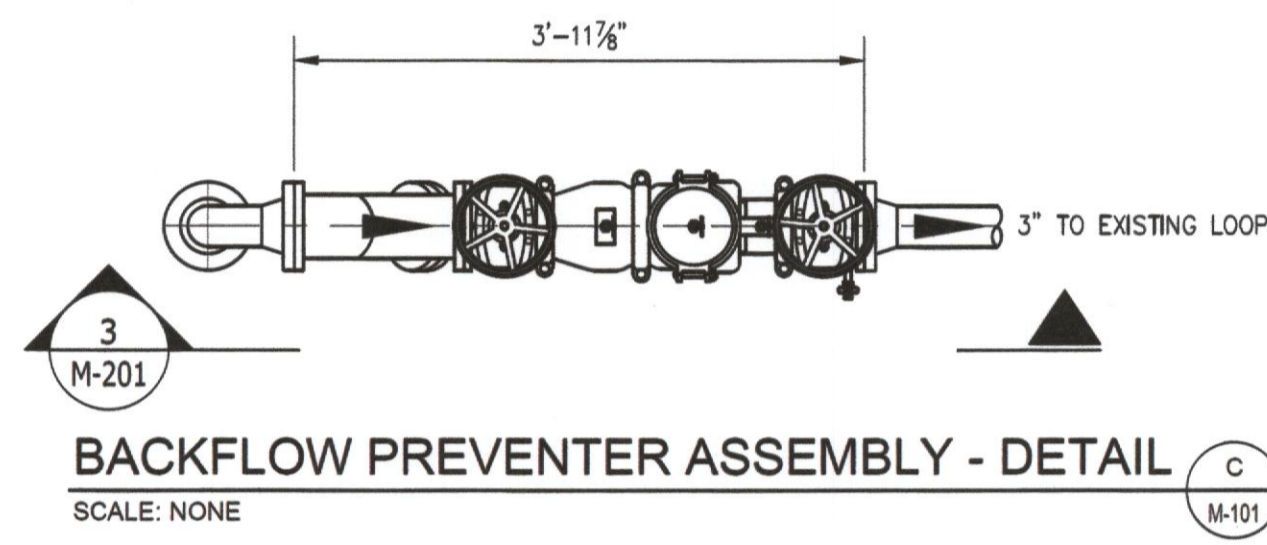
SCALE: AS NOTED

DRAWING NO. **M-101**

REVISION: 3



PlotScale: 1:1  
 PlotSize: ARCH FULL BLEED D (36.00 X 74.00 INCHES)  
 PlotStyle: RMS\_MASTER.ctb  
 PlotDate: 7/13/2018 10:03 AM



- NOTES:**
1. NEW BACKFLOW PREVENTER TO BE ZURN WILKINS MODEL 350A-OSY WITH STRAINER OPTION OR EQUIVALENT.
  2. NEW PIPE AND FITTINGS TO BE BLUE BRUTE (AWWA C900 - DR 14 CLASS 200) WITH BELL AND SPIGOT JOINTS TO MATCH EXISTING.
  3. THRUST BLOCK CONCRETE SHALL BE NORMAL WEIGHT AND SHALL HAVE A MINIMUM COMPRESSIVE STRENGTH OF 4000 P.S.I. IN 28 DAYS.
  4. ALL REINFORCING STEEL SHALL BE DEFORMED BILLET STEEL CONFORMING TO ASTM A-615, GRADE 60.
  5. REPLACE CONCRETE PAVING AS REQUIRED WITH 6" THK. CONCRETE WITH #4 REBARS @ 18" E.W., (3600 PSI THAT REQUIRES 6.5 SACK MIX MINIMUM). BATCH DESIGN WILL NEED TO BE APPROVED BY ENGINEERING PRIOR TO PLACEMENT. AN ENGINEERING INSPECTION OF THE REBAR AND SUBGRADE IS REQUIRED PRIOR TO PLACEMENT OF CONCRETE.



**AS-BUILT**  
 07/13/2018

 Pegasus Foods, Inc.		<b>PEGASUS FOODS, INC.</b> <b>BACKFLOW PREVENTER &amp; THRUST BLOCK</b> <b>SECTIONS &amp; DETAILS</b> SITE LOCATION: ROCKWALL, TEXAS	
<b>REVISIONS</b>		<b>REFERENCE DRAWINGS</b>	
NO.	COMMENTS	BY	DATE
0	ISSUED FOR CONSTRUCTION	WPJ	08/09/2017
1	POUR BACK CONCRETE NOTE ADDITION	WPJ	08/13/2017
2	TEE ADDITION	WPJ	10/19/2017
3	AS-BUILT PER CONTRACTOR COMMENTS	JH	07/13/2018
<b>ENGINEERING FIRM</b> <b>RMS ENGINEERS</b> No. F-15521 TEXAS REGISTERED		ENGINEERED BY WPJ	DRAWN BY JCG
DRAWING NO. <b>M-201</b>		CHECKED BY WPJ	DATE 08/30/2017
SCALE AS NOTED		APPROVED BY MJR	DATE 08/30/2017
REV.		<b>3</b>	