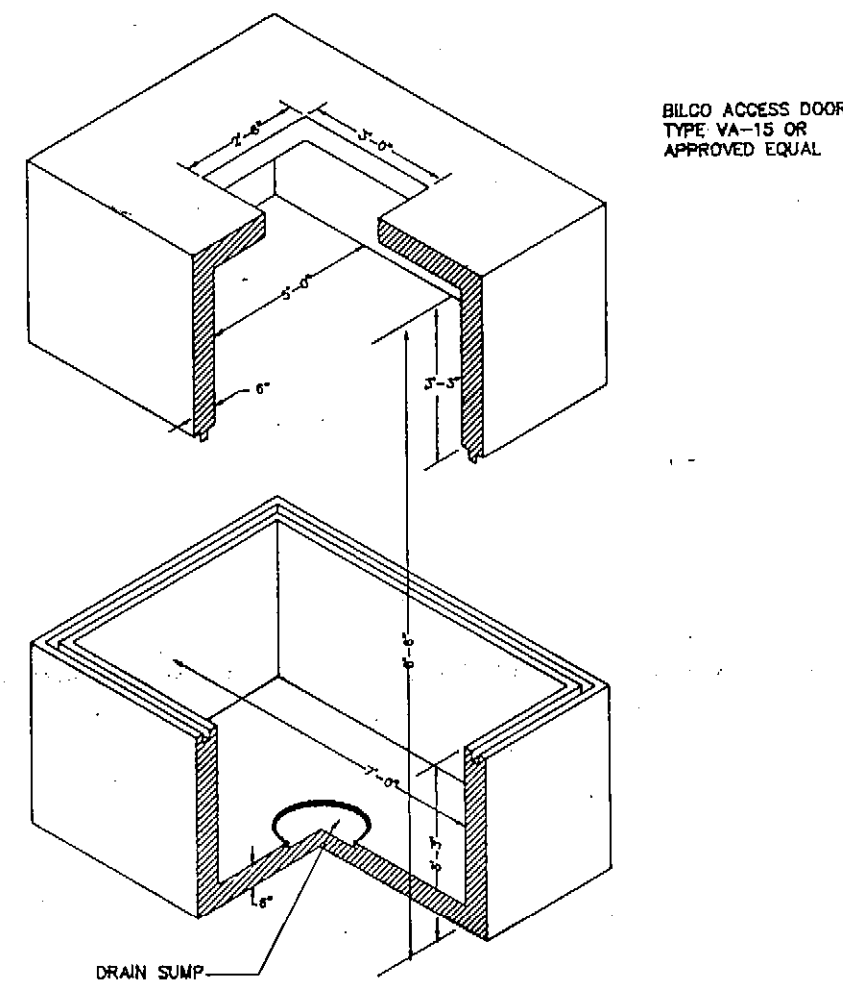
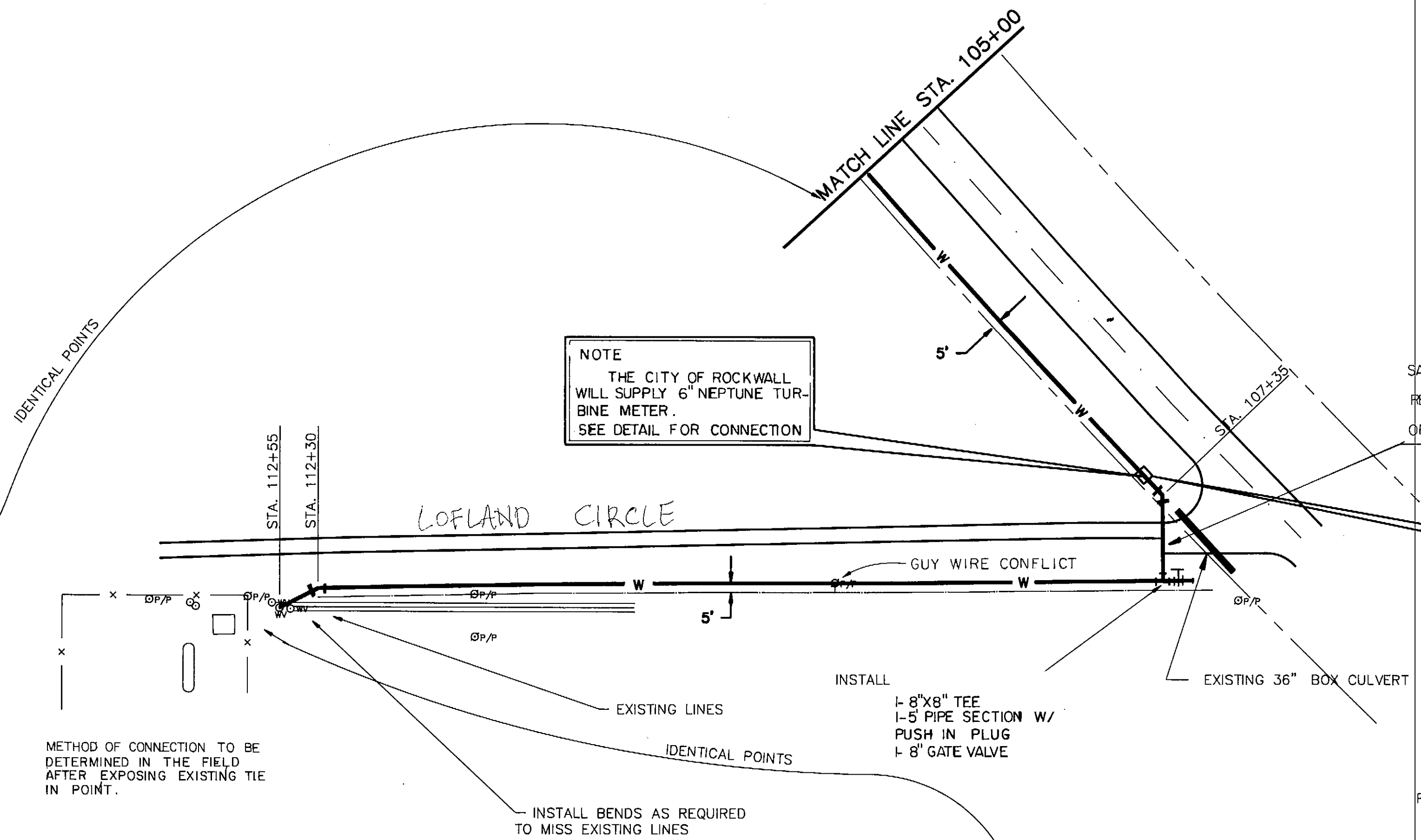


DATE	
BY	
REVISION	
NO.	
DATE	
BY	
REVISION	
NO.	
DATE	
BY	
REVISION	
NO.	

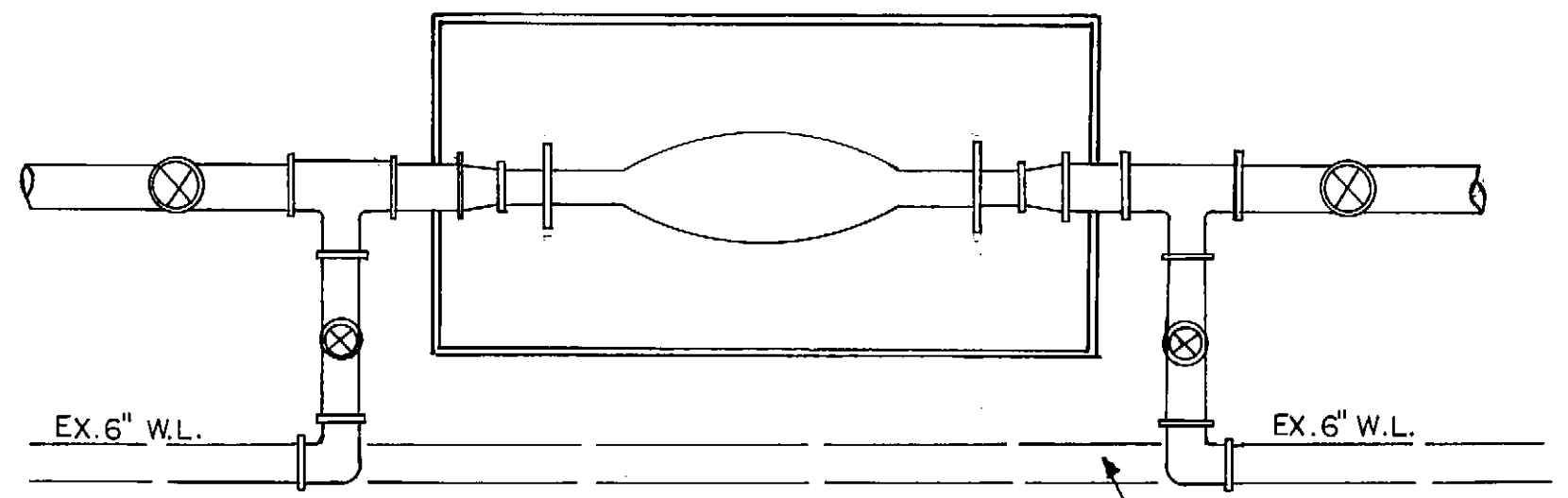
DATE	
BY	
REVISION	
NO.	
DATE	
BY	
REVISION	
NO.	
DATE	
BY	
REVISION	
NO.	



MAINTAIN 42" MINIMUM GROUND COVER ON WATER LINE



NOTE
THE CITY OF ROCKWALL
WILL SUPPLY 6" NEPTUNE TUR-
BINE METER.
SEE DETAIL FOR CONNECTION



CUT AND ABANDON EXIST. 6" PIPE. TIE INTO PROPOSED 6" METERING STATION.

- METERING STATION DETAIL
- INSTALL
- 1- 6" NEPTUNE TURBINE METER
 - 2- 8" X 6" REDUCERS
 - 2- 6" GATE VALVES
 - 2- 8" GATE VALVES
 - 2- 90° BENDS (6")
 - 2- 90° TEE (8" X 6")
 - 2- SMITH BLAIR FLANGE COUPLING
 - ADAPTER TYPE 912 OR APPROVED EQUAL.

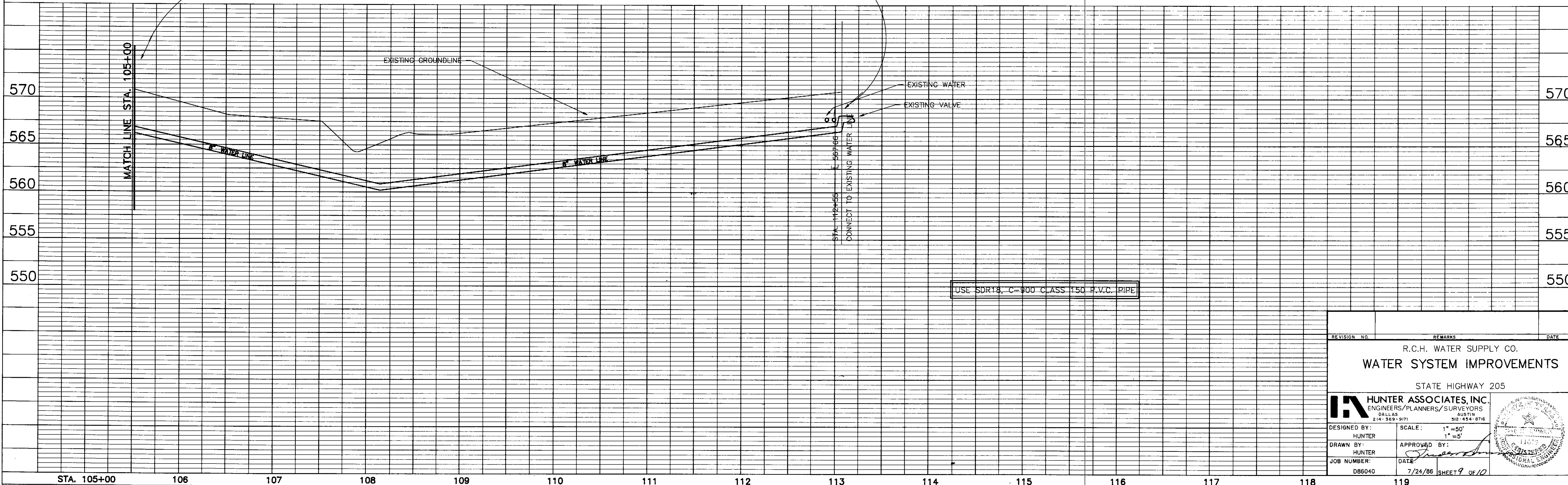
INSTALL:
7' X 6' - 6" H20 LOADING
DALWORTH QUICKSET 507
METER BOX WITH SINGLE LEAF
TYPE VA-15 BILCO ACCESS DOOR.
OR APPROVED EQUAL

METHOD OF CONNECTION TO BE DETERMINED IN THE FIELD AFTER EXPOSING EXISTING TIE IN POINT.

INSTALL
1- 8" X 8" TEE
1- 5' PIPE SECTION W/
PUSH IN PLUG
1- 8" GATE VALVE

SAWCUT 20 L.F. OF ASPHALT REMOVE & REPLACE 17 S.Y. OF ASPHALT PAVEMENT.

B.M. R.R. SPIKE IN POWER POLE OPPOSITE GROUND STORAGE TANK. ELEV 572.30



USE SDR18, C=900 CLASS 150 P.V.C. PIPE

REVISION NO.	REMARKS	DATE
R.C.H. WATER SUPPLY CO. WATER SYSTEM IMPROVEMENTS STATE HIGHWAY 205		
HUNTER ASSOCIATES, INC. ENGINEERS/PLANNERS/SURVEYORS DALLAS AUSTIN 214-358-9171 512-454-8716		
DESIGNED BY: HUNTER	SCALE: 1" = 50'	
DRAWN BY: HUNTER	APPROVED BY:	
JOB NUMBER: D86040	DATE: 7/24/86	
SHEET 9 OF 10		