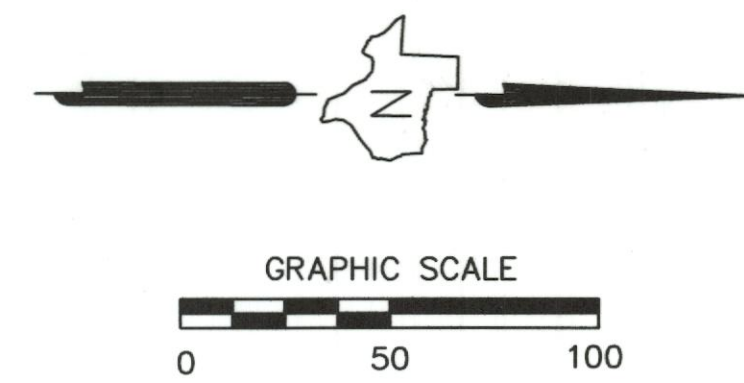


BLACKLAND WATER  
SUPPLY CORP.  
(NO DEED FOUND)

1/2" IRF  
P.O.C.



ROBERT EUGENE LAMBERTH  
VOL. 1755, PG. 0060  
D.R.R.C.T.

$\Delta = 00^{\circ}06'56''$   
 $R = 2028.42'$   
 $T = 2.04'$   
 $L = 4.09'$   
 $LC = 4.09'$   
 $CB = N 04^{\circ}26'05'' E$

$\Delta = 05^{\circ}24'17''$   
 $R = 2042.76'$   
 $T = 96.42'$   
 $L = 192.69'$   
 $LC = 192.62'$   
 $CB = N 01^{\circ}47'24'' E$

$\Delta = 02^{\circ}36'12''$   
 $R = 2028.42'$   
 $T = 46.09'$   
 $L = 92.16'$   
 $LC = 92.15'$   
 $CB = N 00^{\circ}11'56'' E$

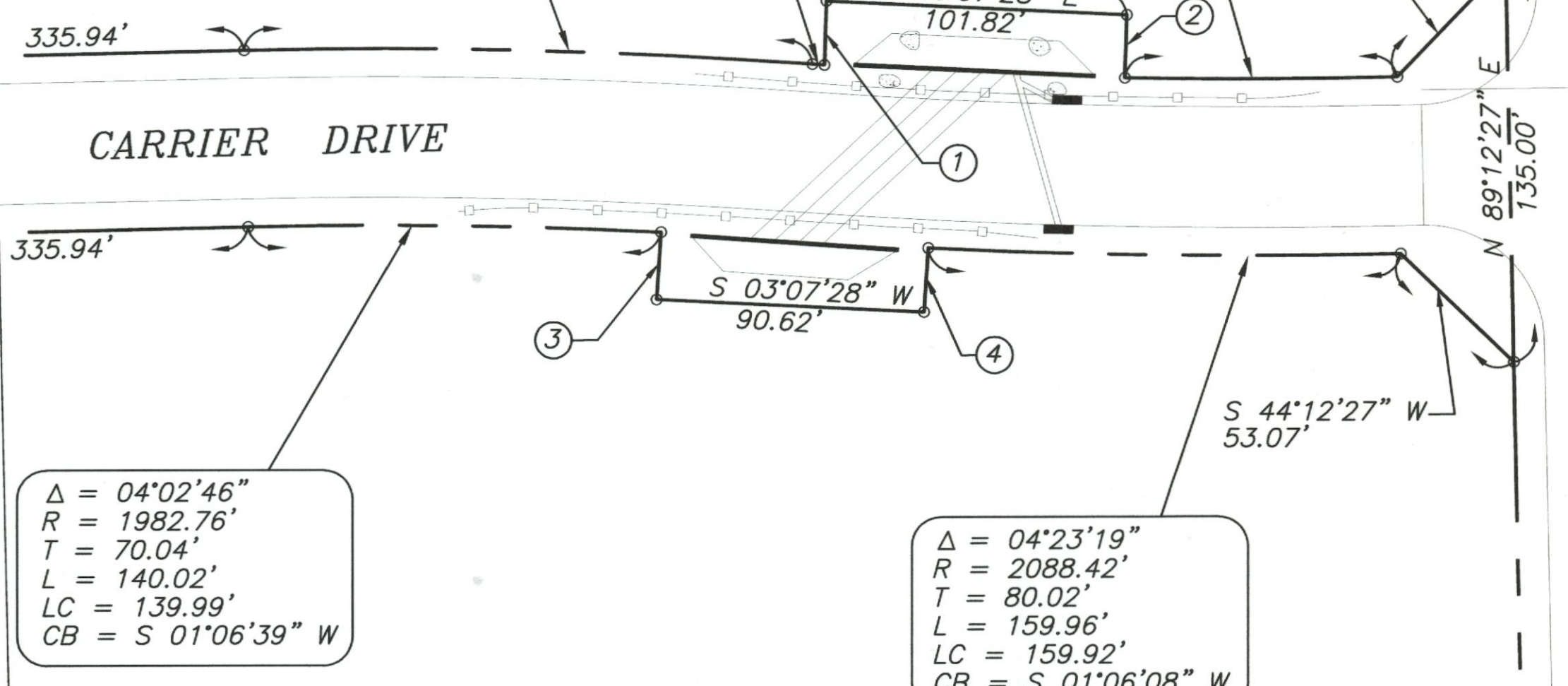
$\Delta = 04^{\circ}02'46''$   
 $R = 1982.76'$   
 $T = 70.04'$   
 $L = 140.02'$   
 $LC = 139.99'$   
 $CB = S 01^{\circ}06'39'' W$

$\Delta = 04^{\circ}23'19''$   
 $R = 2088.42'$   
 $T = 80.02'$   
 $L = 159.96'$   
 $LC = 159.92'$   
 $CB = S 01^{\circ}06'08'' W$

BLOCK B  
ROCKWALL TECHNOLOGY PARK  
CAB. D. PG. 175-176  
D.R.R.C.T.

HWY. No. 276

PROPOSED DISCOVERY BLVD.



LEGEND

- EXISTING RIGHT OF WAY LINE
- PROPERTY LINE
- COUNTY LINE
- SURVEY LINE
- FENCE LINE
- CITY LIMITS
- EASEMENTS
- RAILROAD
- STRUCTURE

| BEARING & DISTANCE |               |          |
|--------------------|---------------|----------|
| #                  | BEARING       | DISTANCE |
| 1                  | N 87°42'34" W | 21.72'   |
| 2                  | S 87°42'34" E | 21.39'   |
| 3                  | N 85°48'13" W | 22.91'   |
| 4                  | S 85°48'13" E | 21.76'   |

ALL BEARINGS ARE ON THE TEXAS STATE PLANE  
COORDINATE SYSTEM, NAD. 83 (1993 Adj.)  
NORTH CENTRAL ZONE, ALL DISTANCES AND  
COORDINATES SHOWN ARE SURFACE AND MAY  
BE CONVERTED TO GRID BY DIVIDING BY TxDOT  
CONVERSION FACTOR OF 1.000146135

A LEGAL DESCRIPTION AT EVEN  
SURVEY DATE HEREWITH  
ACCOMPANIES THIS PLAT.

OWNER/DEVELOPER: PNEUMA VENTURES, LTD  
504 SMIRL DRIVE  
HEATH, TEXAS 75032  
(972) 771-8078

ENGINEER/SURVEYOR: DOUPHRADE & ASSOCIATES, INC.  
P.O. BOX 1336  
ROCKWALL, TEXAS 75087  
(972) 771-9004

60 FOOT RIGHT OF WAY DEDICATION

PROPOSED CARRIER DRIVE  
1.2667 ACRES  
J.M. ALLEN SURVEY, ABSTRACT NO. 2  
CITY OF ROCKWALL  
ROCKWALL COUNTY, TEXAS

PROJECT: 10004  
DATE: JULY, 2010  
SCALE: 1"=50'  
DRAWN: R.C.T.  
CHK'D: W.L.D.

DOUPHRADE & ASSOCIATES, INC.  
ENGINEERING - PROJECT MANAGEMENT - SURVEYING  
2235 RIDGE RD, STE 200 ROCKWALL, TEXAS 75087  
PHONE: (972)771-9004 FAX: (972)771-9005