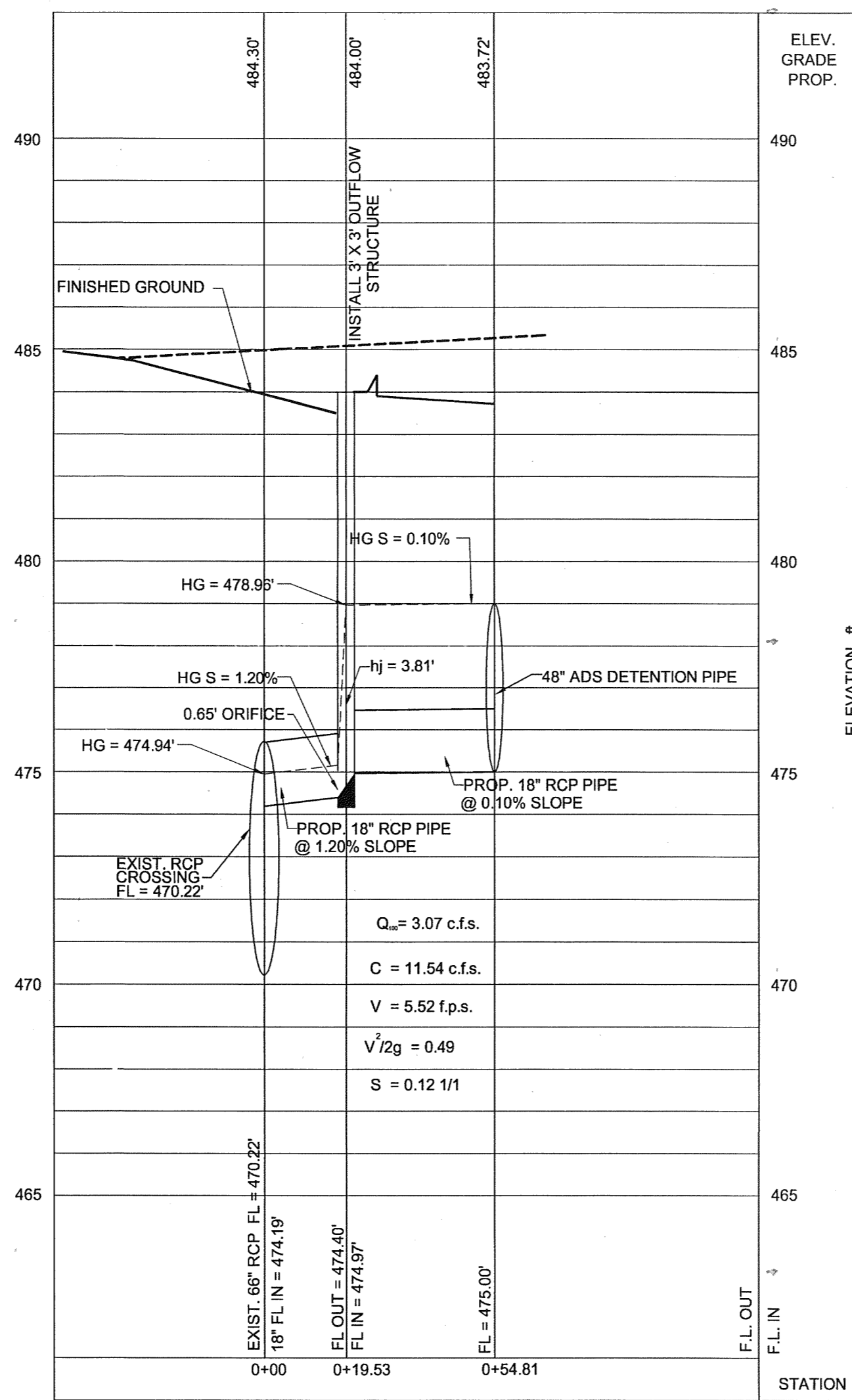


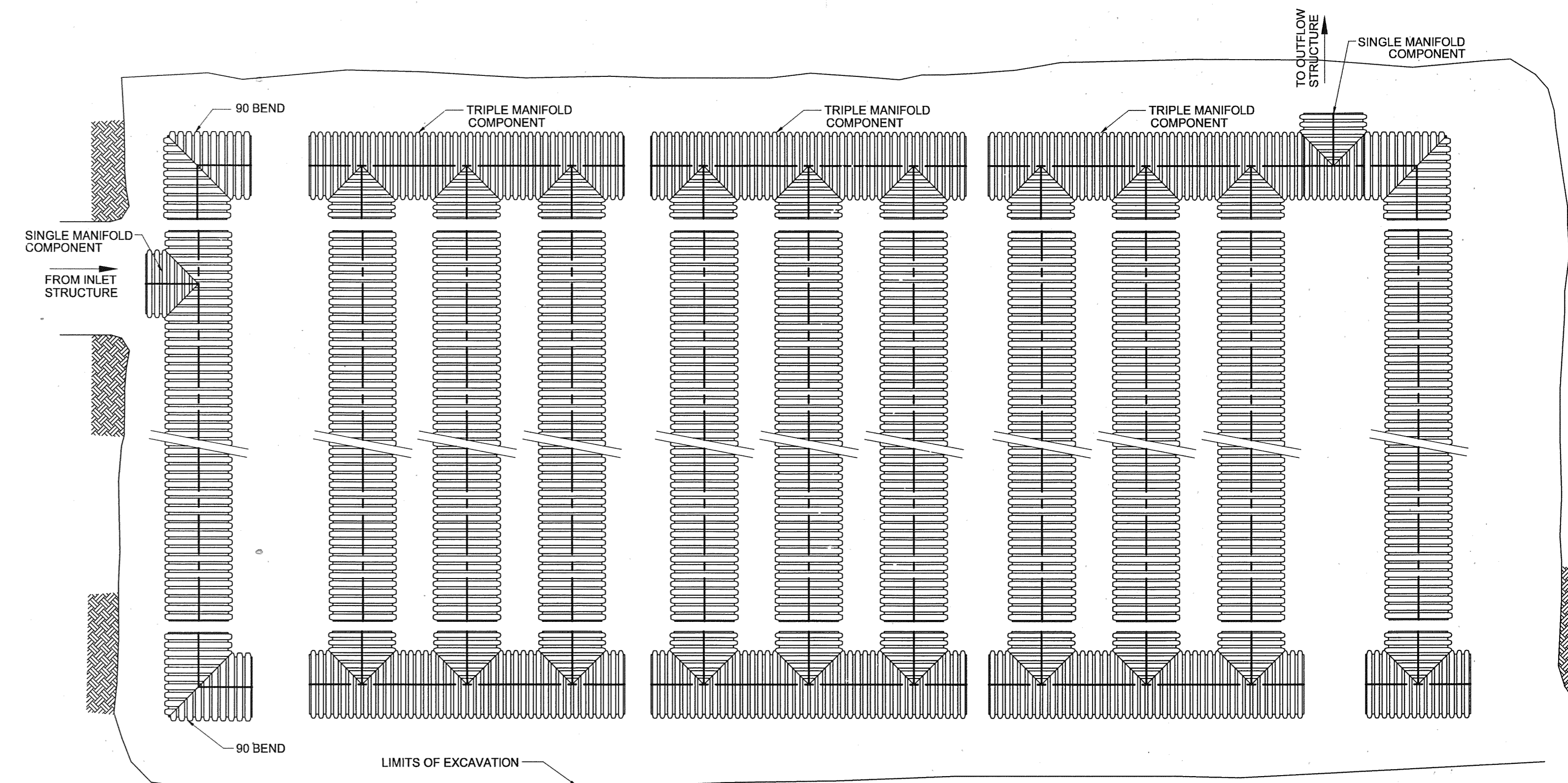
**01 STORM SEWER PROFILE (LINE 1)**

HOR. SCALE: 1" = 30'-0"  
VER. SCALE: 1" = 3'-0"



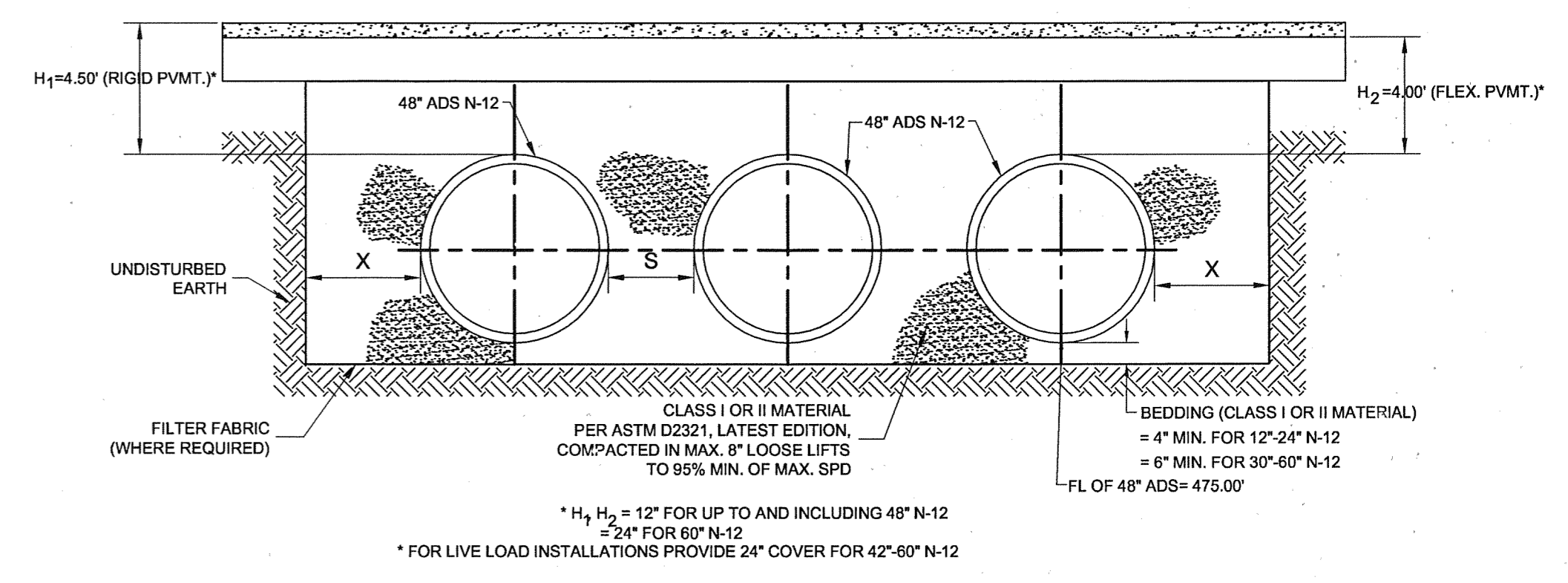
**02 STORM SEWER PROFILE (LINE 2)**

HOR. SCALE: 1" = 30'-0"  
VER. SCALE: 1" = 3'-0"



**03 DETENTION SYSTEM LAYOUT**

SCALE: NONE

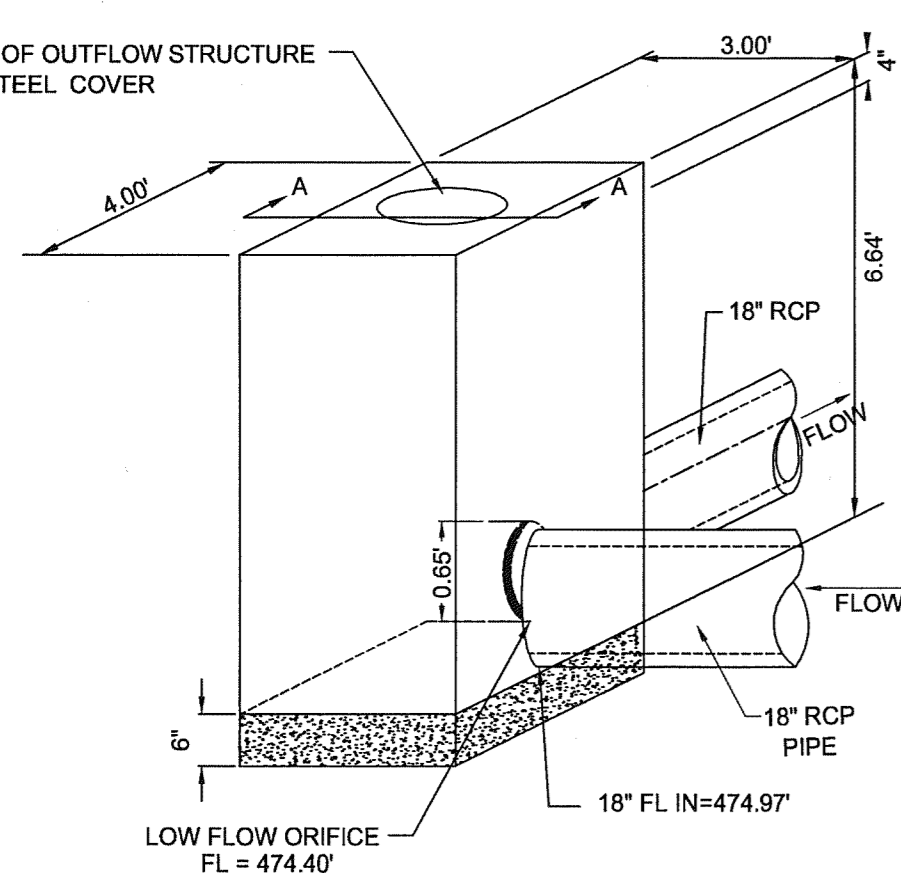


NOMINAL DIAMETER	MINIMUM X	MINIMUM S
12"	0.69'	1.04'
15"	0.68'	1.12'
18"	0.74'	1.36'
24"	0.84'	1.36'
30"	1.5'	1.88'
36"	1.5'	2.21'
42"	1.5'	2.08'
48"	1.5'	2.10'
60"	1.5'	2.48'

- NOTES
- ALL RETENTION AND DETENTION SYSTEMS SHALL BE INSTALLED IN ACCORDANCE WITH ASTM D2321, "STANDARD PRACTICE FOR UNDERGROUND INSTALLATION OF THERMOPLASTIC PIPE FOR SEWERS AND OTHER GRAVITY FLOW APPLICATIONS", LATEST EDITION.
  - MEASURES SHOULD BE TAKEN TO PREVENT MIGRATION OF NATIVE FINES INTO BACKFILL MATERIAL, WHEN REQUIRED.
  - FOR MORE DETAILED INFORMATION, SEE ADS TECHNICAL NOTE 2.120, "STORM WATER DETENTION/RETENTION SYSTEM DESIGN".

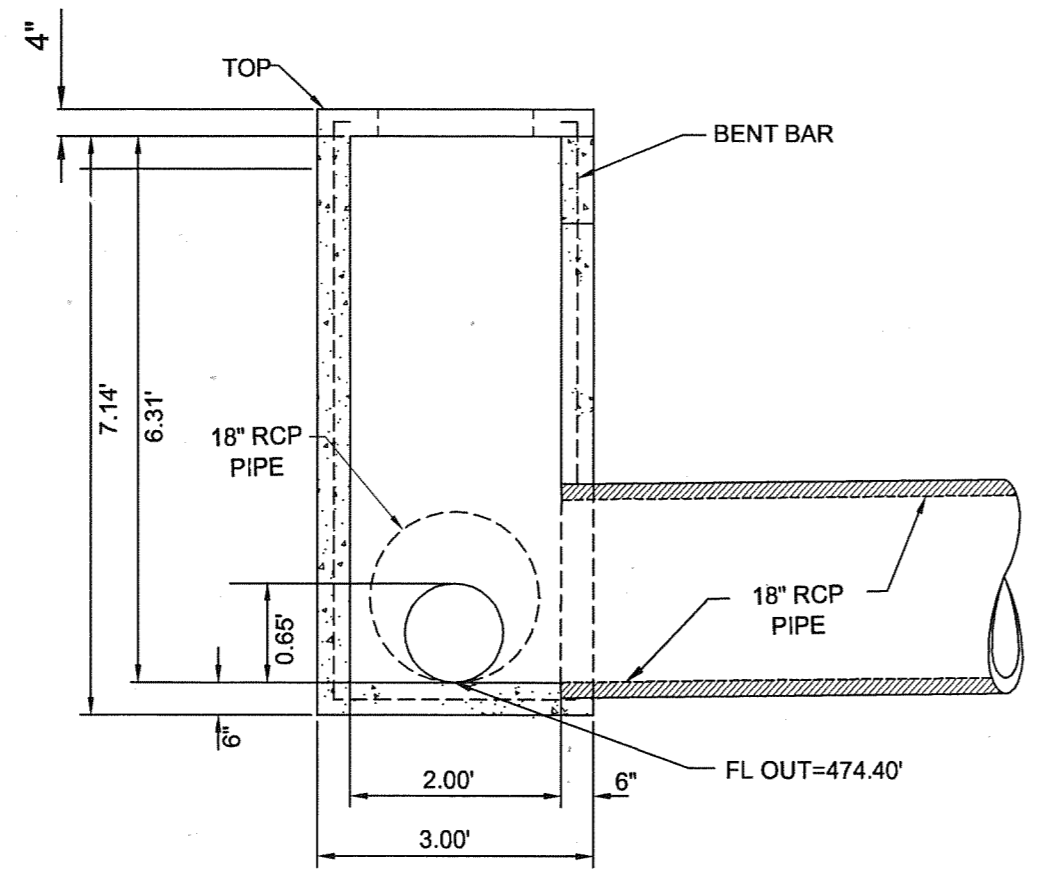
**04 TYPICAL SUBSURFACE DETENTION CROSS SECTION**

SCALE: NONE



**ISOMETRIC DETAIL**

SCALE: NONE

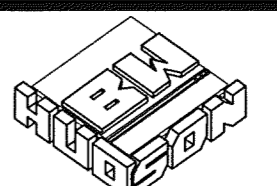



**SECTION A-A**

**05 OUTFLOW STRUCTURE DETAIL**

SCALE: NONE

**"AS-BUILT DRAWING"**

<p><b>AS - BUILT DRAWINGS.</b></p> <p>TO THE BEST OF MY KNOWLEDGE, THIS PLAN IS AS - BUILT, AND THE INFORMATION IS BASED ON SURVEYING CONDUCTED AT THE SITE AND INFORMATION PROVIDED BY THE CONTRACTOR.</p> <p>BILLY W. HUDSON</p>	<p><b>OWNER/DEVELOPER:</b> IN KYUNG HWAN / CHUNG OH SOON 512 SUNSTONE DRIVE, IRVING, TEXAS 75060</p> <p><b>CONTACT PERSON:</b> CECIL UNRUH 972-771-3862 ERIC CHUNG 214-718-4900</p>	 <p><b>EW HUDSON</b> ENGINEERS AND ASSOCIATES BUILDING DESIGN-RENDERING BLUE PRINTING-SCANNING SCALE MODELS-ANIMATIONS</p> <p>132 E. Main Street, Suite 200 Grand Prairie, Texas 75050 www.bwhudsonengineers.com Bhudson911@sol.com</p> <p>MARCH 04, 2008</p> <p>Tel. No.: (972) 264-4408 Fax No.: (972) 264-4416</p>
<p><b>OWNERSHIP AND USE OF DRAWINGS</b></p> <p>THESE DRAWINGS WHETHER PRINTED OR ELECTRONIC IN FORM, PREPARED BY THE ENGINEER/BW HUDSON ENGINEERS AND ASSOCIATES, ARE INSTRUMENTS OF SERVICE THROUGH WHICH THE CONTRACTOR SHALL EXECUTE THE WORK DESCRIBED HEREIN. ONLY THE ENGINEER SHALL OWN, CLAIM AUTHORSHIP, CLAIM COPYRIGHT OR RETAIN ANY OTHER RESERVED RIGHTS ON THESE DRAWINGS. UNLESS OTHERWISE AGREED TO OR PERMITTED IN WRITING BY THE ENGINEER, THESE DRAWINGS SHALL NOT BE COPIED, REVISED OR TRANSMITTED TO ANY THIRD PARTY.</p> <p>THESE DRAWINGS SHALL BE USED SOLELY FOR THIS PROJECT. THE CONTRACTOR, SUBCONTRACTOR, MATERIAL OR EQUIPMENT SUPPLIER ARE PERMITTED TO USE OR REPRODUCE PORTIONS OF THE DRAWINGS RELATIVE TO THEIR PERFORMANCE CONTRACT AS SPECIFIED IN THE CONTRACT DOCUMENTS.</p> <p>THESE DRAWINGS SHALL NOT BE USED BY THE CONTRACTOR, SUBCONTRACTOR, MATERIAL OR EQUIPMENT SUPPLIER ON OTHER PROJECTS OR ON ADDITIONS TO THIS PROJECT OUTSIDE THE ORIGINAL SCOPE OF WORKS WITHOUT THE SPECIFIC WRITTEN CONSENT OF THE ENGINEER.</p> <p>OFFICIAL SUBMISSION OF THESE PLANS TO REGULATORY AGENCIES SHALL ONLY MEAN COMPLIANCE TO REGULATORY REQUIREMENTS AND SHALL NOT BE CONSTRUED AS PUBLICATION OR LOSS OF ENGINEER'S COPYRIGHTS OR OTHER RESERVED RIGHTS.</p>	<p><b>PROJECT STATUS:</b> AS-BUILT DRAWING</p> <p><b>PROJECT MANAGER:</b> BILLY W. HUDSON</p> <p><b>DESIGN COORDINATOR:</b> DANTE ABAYON</p> <p><b>DATE:</b> 03/04/08</p> <p><b>DRAWING DONE BY:</b> EDMUNDO URBUDA</p>	<p><b>ENGINEER'S SEAL</b></p>  <p>THE SEAL APPEARING ON THIS DOCUMENT WAS AUTHORIZED BY BILLY W. HUDSON, P.E. 38421 ON THE DATE INDICATED HEREIN. ALTERATION OF A SEALED DOCUMENT WITHOUT PROPER NOTIFICATION TO THE RESPONSIBLE ENGINEER IS AN OFFENSE UNDER THE TEXAS ENGINEERING ACT.</p> <p><b>STORM SEWER PROFILE</b> <b>YELLOW JACKET CROSSING</b> INTERSECTION OF YELLOW JACKET LANE and FM 740 (Ridge Road) CITY OF ROCKWALL, TEXAS 75087 LOT 1, BLOCK A 1.129 AC</p>