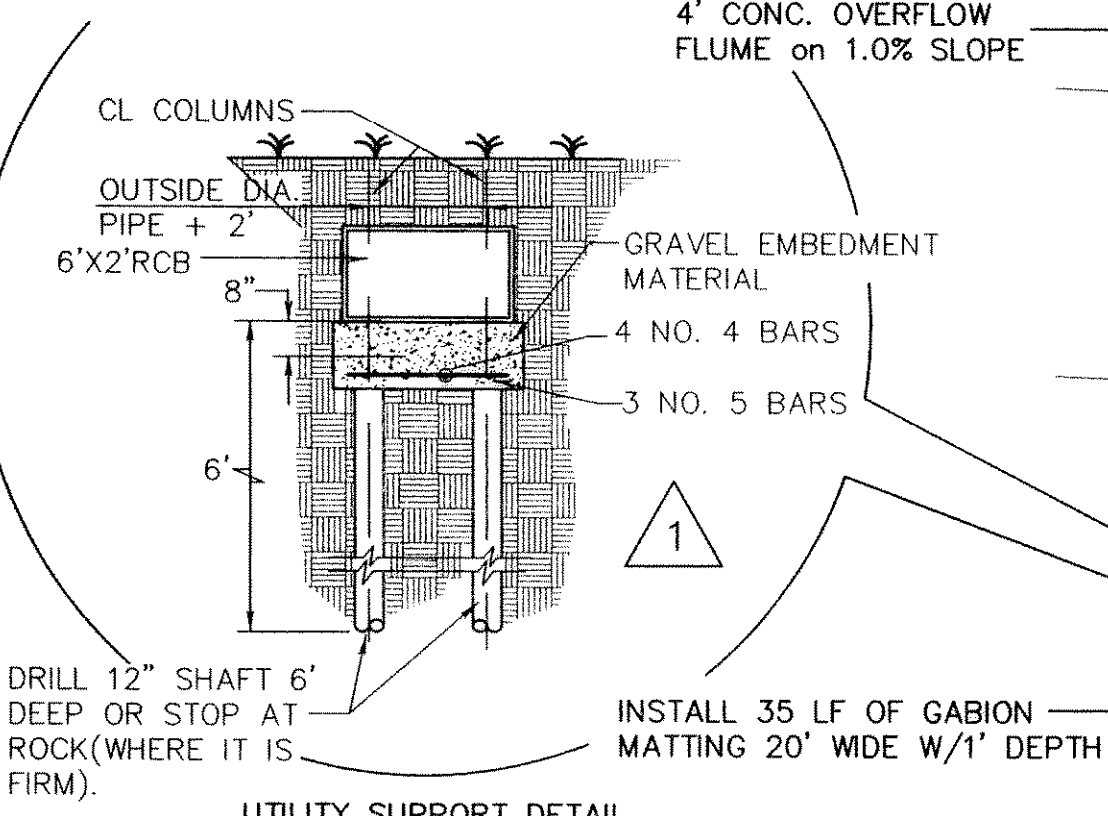
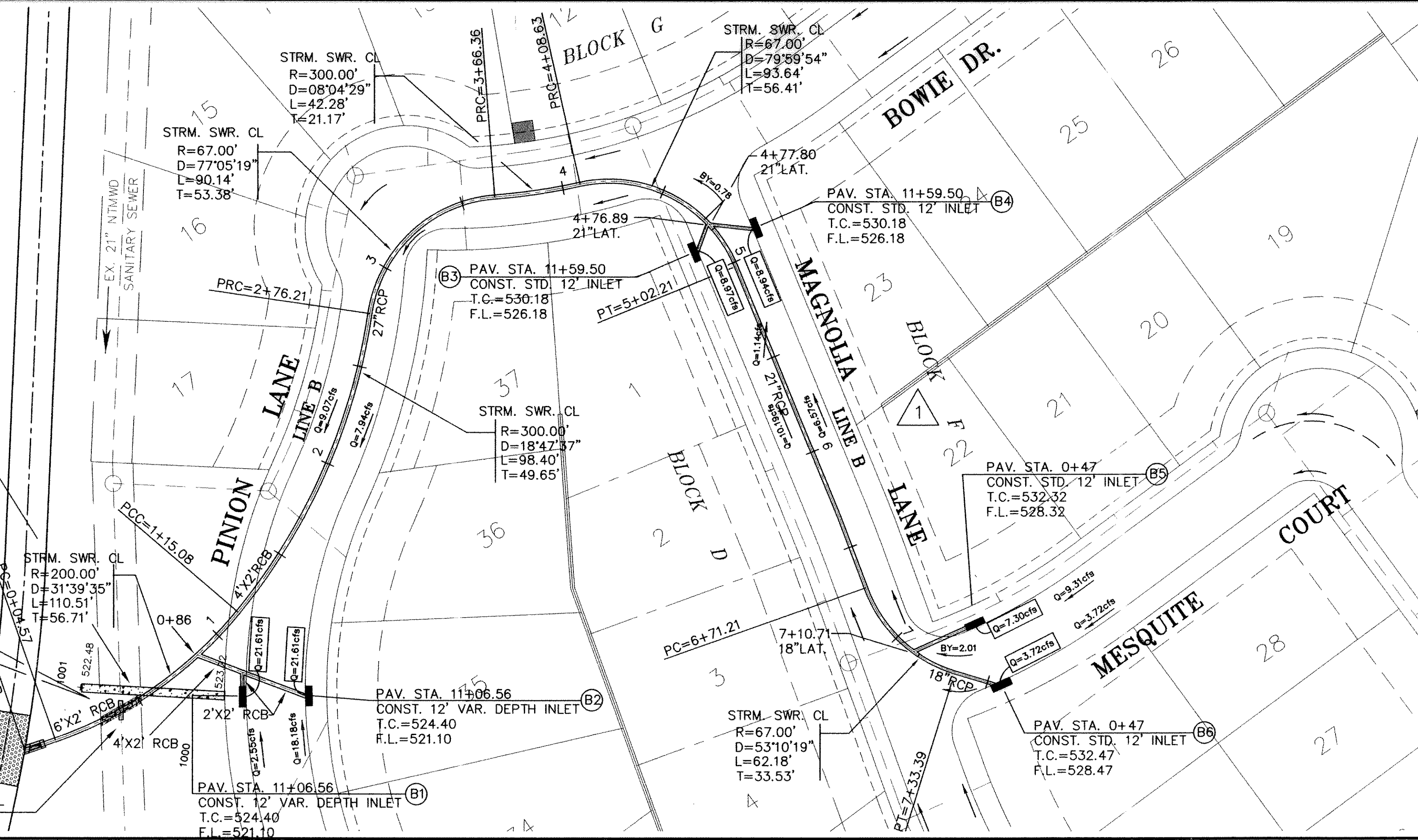


EXCAVATE FROM UNDER THE EXIST. PIPE BEFORE PERFORMING EXCAVATION FOR THE CONDUIT WHICH GOES OVER THE PIPE. PLACE 1 SUPPORT ON EACH SIDE OF PIPE.

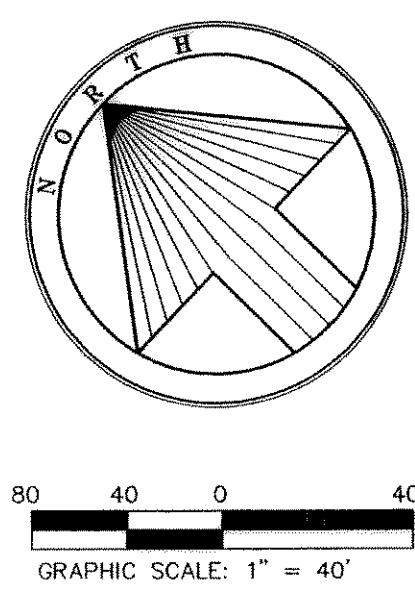


INSTALL 35 LF OF GABION MATTING 20' WIDE W/1' DEPTH

GRAVEL EMBEDMENT MATERIAL BETWEEN STORM & SEWER



SEE NTMWD GENERAL NOTES ON COVER SHEET

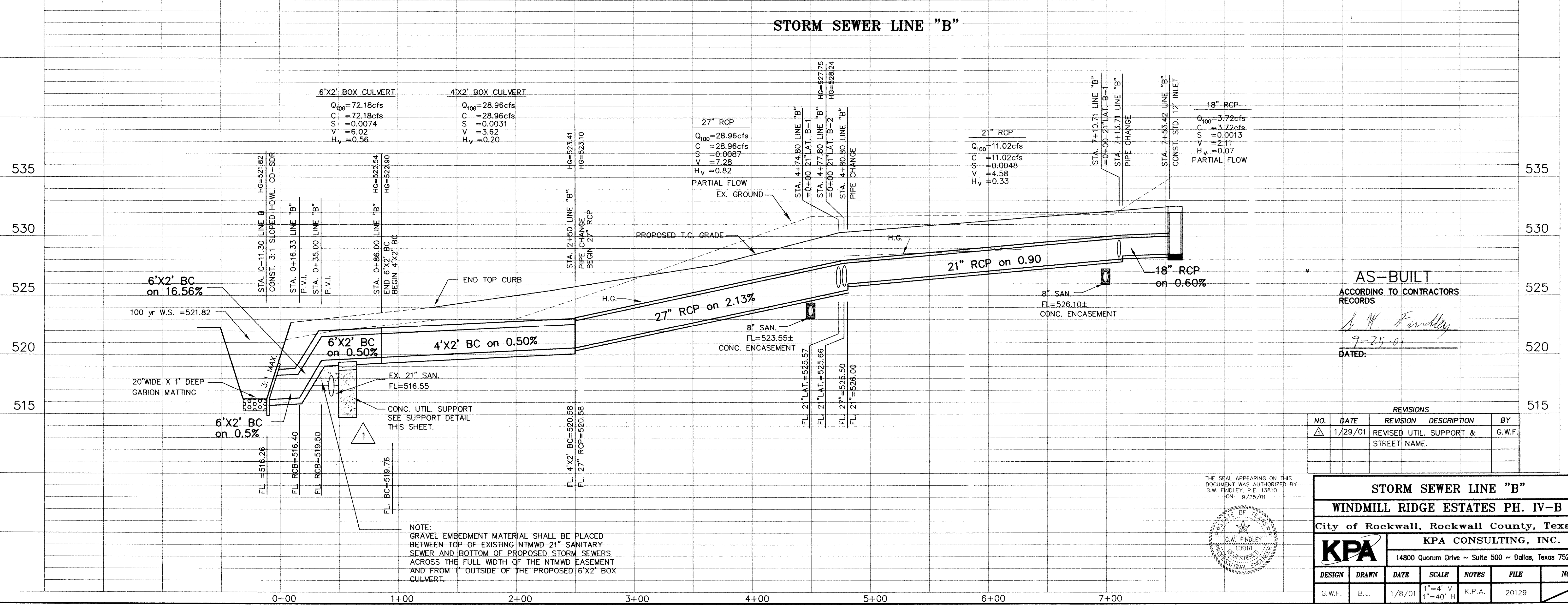


**CAUTION!!!!**  
**EXISTING UTILITIES**

EXISTING UTILITIES AND UNDERGROUND FACILITIES INDICATED ON THESE PLANS HAVE BEEN LOCATED FROM REFERENCE INFORMATION. IT SHALL BE THE RESPONSIBILITY OF THE CONTRACTOR TO VERIFY BOTH HORIZONTALLY AND VERTICALLY THE LOCATION OF ALL EXISTING UTILITIES AND UNDERGROUND FACILITIES PRIOR TO CONSTRUCTION. TO TAKE NECESSARY PRECAUTIONS IN ORDER TO PROTECT ALL FACILITIES ENCOUNTERED. THE CONTRACTOR SHALL PRESERVE AND PROTECT ALL EXISTING UTILITIES FROM DAMAGE DURING CONSTRUCTION.

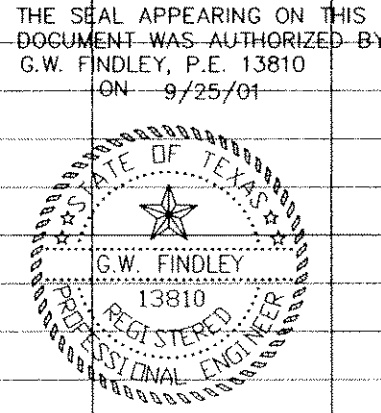
- BENCH MARK #1**  
BRONZE DISC AT SOUTHEAST CORNER OF SERVICE ROAD OF I.H. 30 AND MIMS ROAD.  
ELEV. = 566.25
- BENCH MARK #1**  
R.R. SPIKE IN POWER POLE 50'± NORTH OF TUBBS ROAD AND 300'± EAST OF TEXAS AVE.  
ELEV. = 531.37

**STORM SEWER LINE "B"**



**AS-BUILT**  
ACCORDING TO CONTRACTORS RECORDS  
*G.W. Findley*  
9-25-01  
DATED:

REVISIONS			
NO.	DATE	REVISION DESCRIPTION	BY
Δ	1/29/01	REVISED UTIL. SUPPORT & STREET NAME.	G.W.F.



**STORM SEWER LINE "B"**  
**WINDMILL RIDGE ESTATES PH. IV-B**

City of Rockwall, Rockwall County, Texas

**KPA CONSULTING, INC.**  
14800 Quorum Drive ~ Suite 500 ~ Dallas, Texas 75248

DESIGN	DRAWN	DATE	SCALE	NOTES	FILE	NO.
G.W.F.	B.J.	1/8/01	1"=4' V 1"=40' H	K.P.A.	20129	17