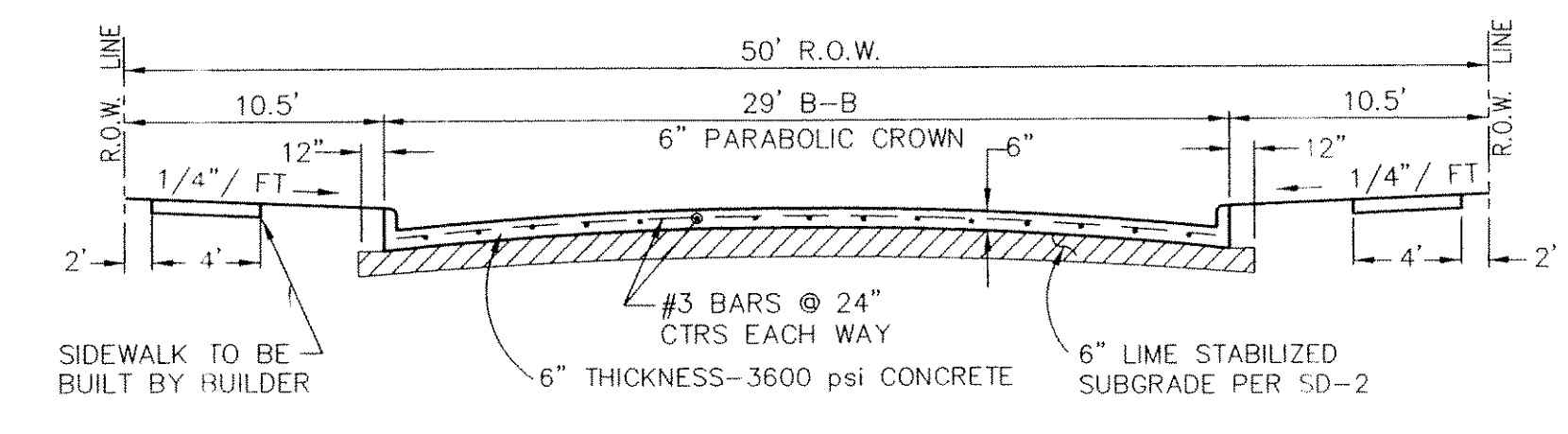


SEE NTMWD GENERAL NOTES
ON COVER SHEET



TYPICAL 29' B-B PAVEMENT SECTION
W/50' R.O.W.
NOT TO SCALE

CAUTION!!!!!!
EXISTING UTILITIES

EXISTING UTILITIES AND UNDERGROUND FACILITIES INDICATED ON THESE PLANS HAVE BEEN LOCATED FROM REFERENCE INFORMATION. IT SHALL BE THE RESPONSIBILITY OF THE CONTRACTOR TO VERIFY BOTH HORIZONTALLY AND VERTICALLY THE LOCATION OF ALL EXISTING UTILITIES AND UNDERGROUND FACILITIES PRIOR TO CONSTRUCTION. TO TAKE NECESSARY PRECAUTIONS IN ORDER TO PROTECT ALL FACILITIES ENCOUNTERED. THE CONTRACTOR SHALL PRESERVE AND PROTECT ALL EXISTING UTILITIES FROM DAMAGE DURING CONSTRUCTION.

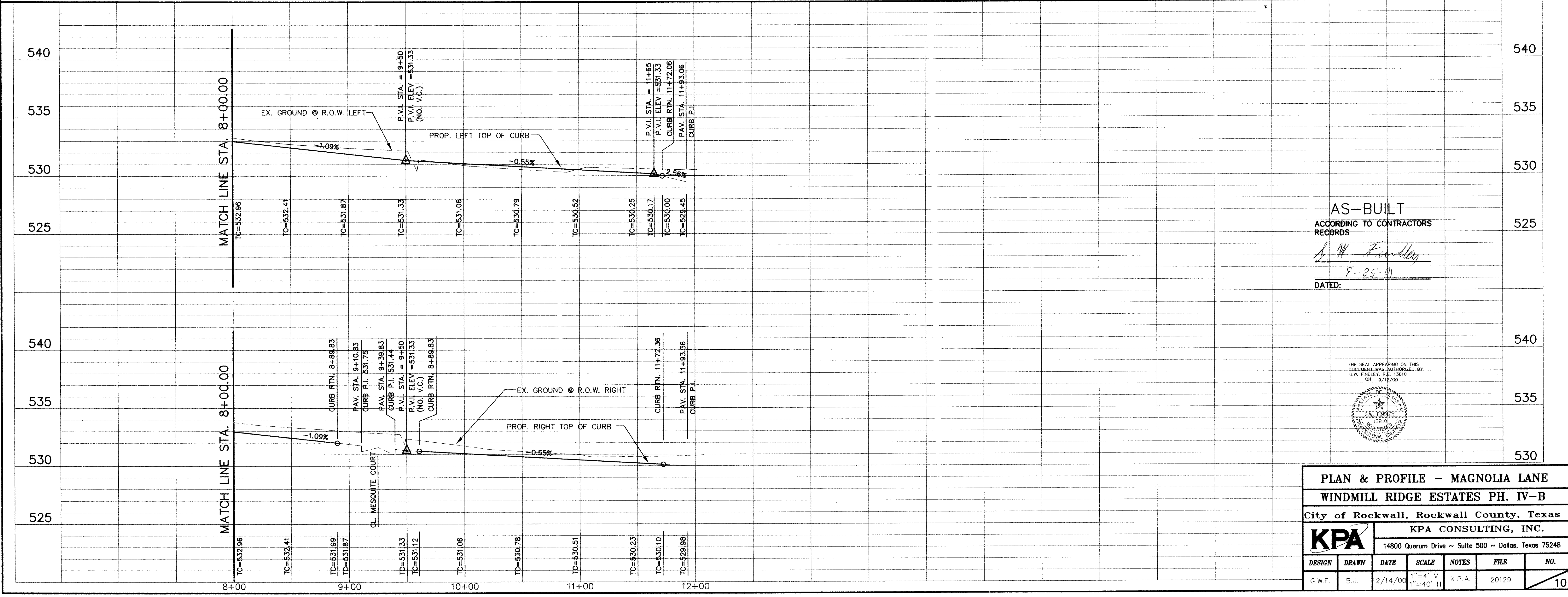
BENCH MARK #1

BRONZE DISC AT SOUTHEAST CORNER OF SERVICE ROAD OF I.H. 30 AND MIMS ROAD.
ELEV. = 566.25

BENCH MARK #1

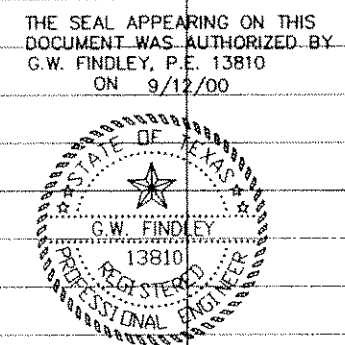
R.R. SPIKE IN POWER POLE 50± NORTH OF TUBBS ROAD AND 300± EAST OF TEXAS AVE.
ELEV. = 531.37

NOTE:
CONSTRUCT BARRIER FREE RAMPS AT ALL INTERSECTIONS AS PER CITY STANDARDS.



AS-BUILT
ACCORDING TO CONTRACTORS
RECORDS

G.W. Findley
8-25-01
DATED:



PLAN & PROFILE - MAGNOLIA LANE					
WINDMILL RIDGE ESTATES PH. IV-B					
City of Rockwall, Rockwall County, Texas					
KPA CONSULTING, INC.					
14800 Quorum Drive ~ Suite 500 ~ Dallas, Texas 75248					
DESIGN	DRAWN	DATE	SCALE	NOTES	FILE
G.W.F.	B.J.	2/14/00	1"=4' V 1"=40' H	K.P.A.	20129
					NO.
					10

F:\dwgs\2012\145_50111\15\paving\129_Pav_E2.dwg Tue Sep 25 12:20:09 2001 B. Johnson
HP DesignJet 1050C Hewlett-Packard HP-GL/2 devices, A01 4.3 (V4.3) - 19990922