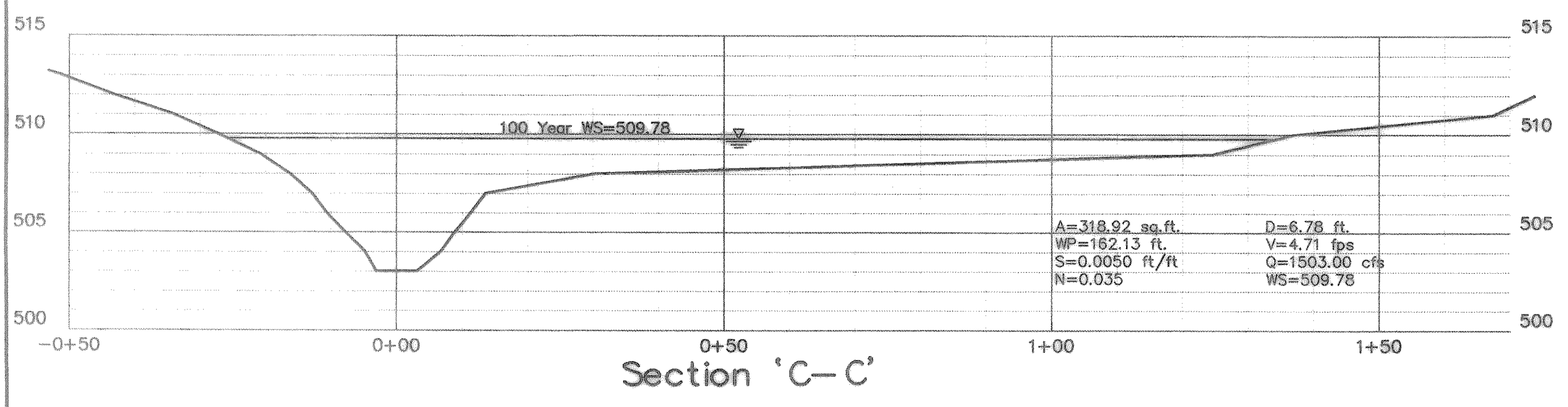
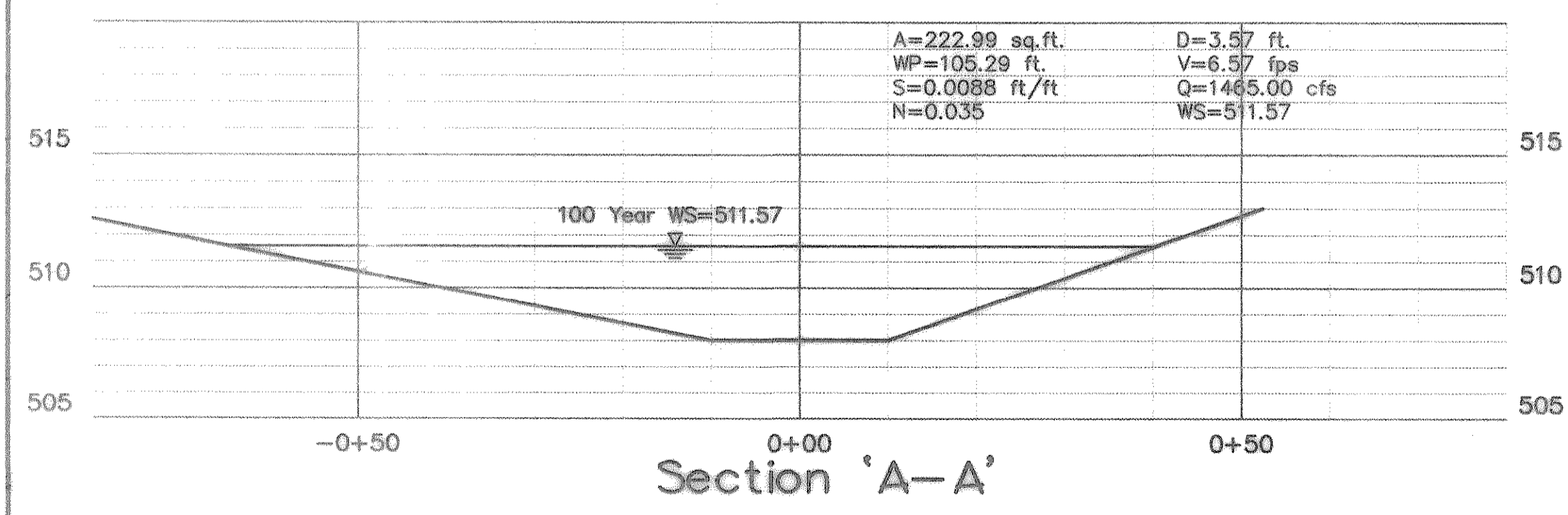
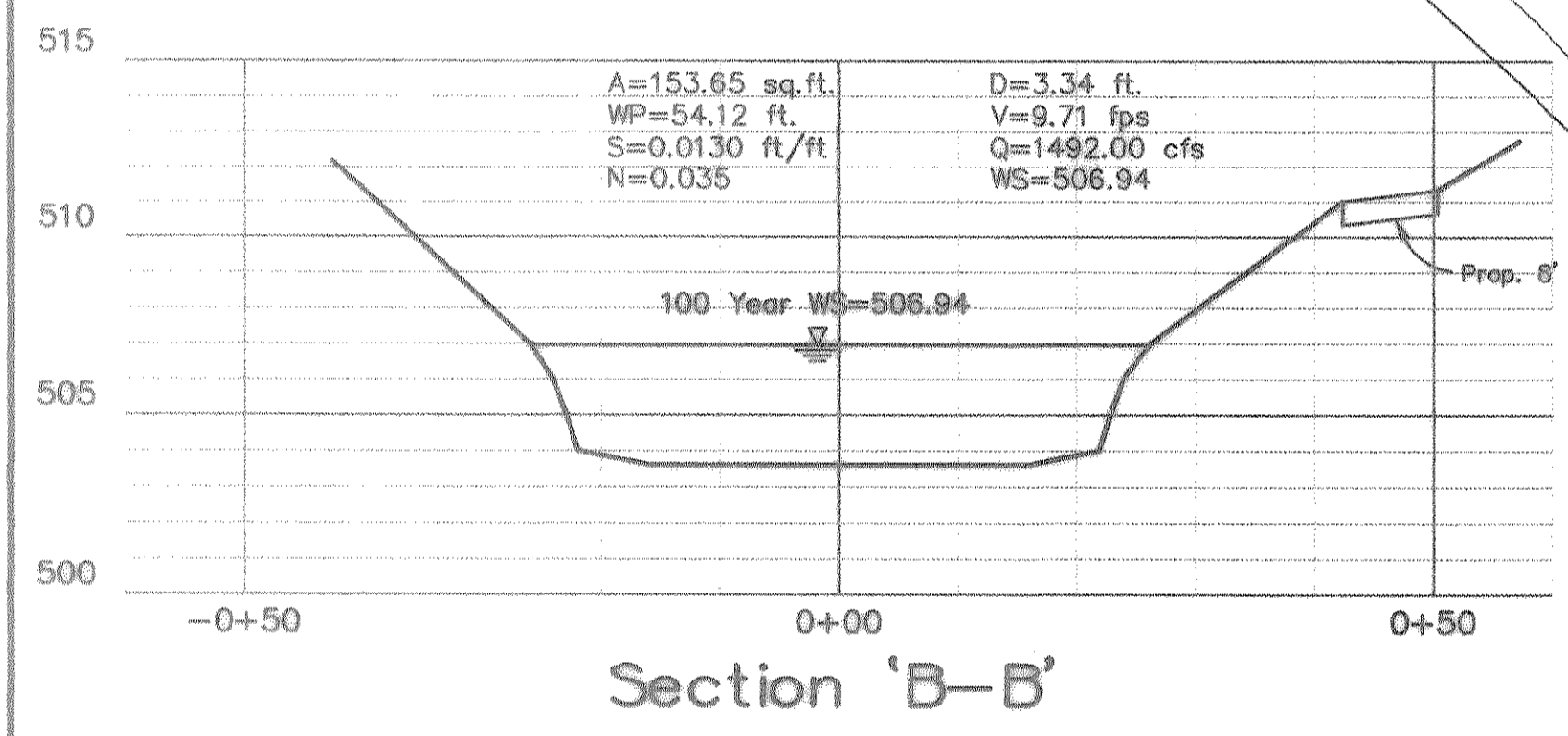


Note!
All Slope To Be Seeded Or Sodded
As Per City Standards.



CHANNEL GRADING PLAN						
WINDMILL RIDGE ESTATES NO. 4						
City Of Rockwall, Texas						
TIPTON ENGINEERING, INC. 6330 Belt Line Rd. ~ Suite C ~ Garland, Texas 75043						
DESIGN	DRAWN	DATE	SCALE	NOTES	FILE	NO.
T.E. Inc.	T.E. Inc.	9-96	1"=30'		4066	20