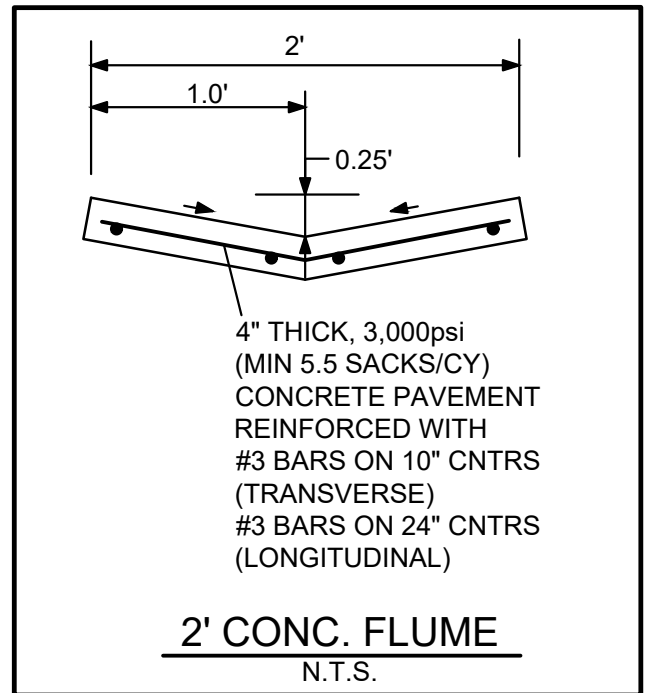


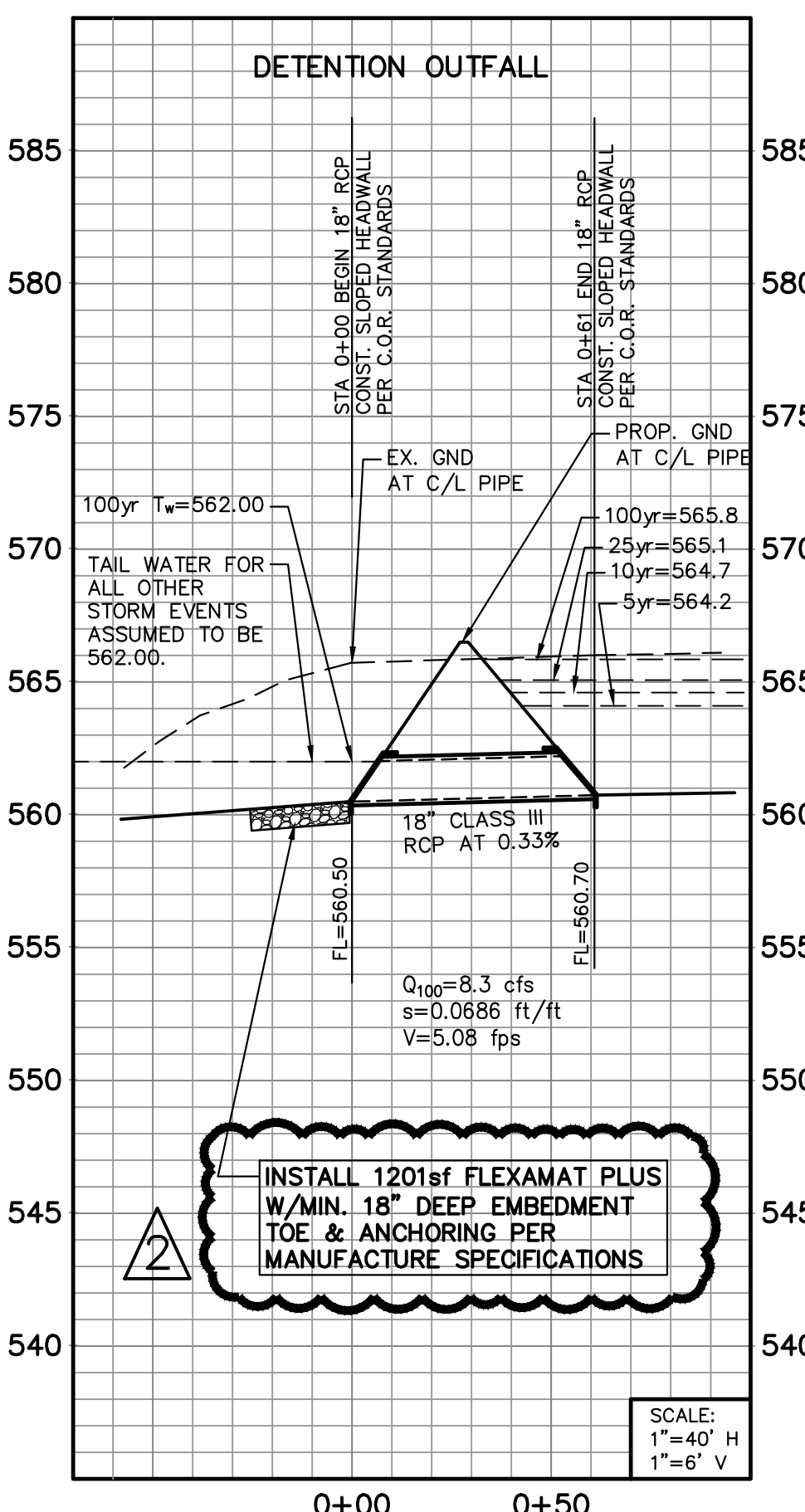
SEE "DETENTION STUDY FOR WINDING CREEK" PREPARED BY KCE ENGINEERING, DATED APRIL 28, 2022 FOR A DETAILED ANALYSIS OF DETENTION VOLUMES AND OUTFALL STRUCTURE.



ALL RESPONSIBILITY FOR ADEQUACY OF DESIGN REMAINS WITH THE DESIGN ENGINEER. THE CITY OF ROCKWALL, IN REVIEWING AND RELEASING PLANS FOR CONSTRUCTION, ASSUMES NO RESPONSIBILITY FOR ADEQUACY OR ACCURACY OF DESIGN

Eastern Pond			
Elevation	Area (ac)	Incremental Volume (acre-ft)	Total Volume (acre-ft)
560.7	0.00	0.00	0.00
562	0.07	0.05	0.05
563	0.19	0.13	0.18
564	0.31	0.25	0.43
565	0.38	0.34	0.78
566	0.44	0.41	1.18
567	0.51	0.47	1.66

Proposed East Pond Results Summary				
Rain Event	Peak Inflow cfs	Peak Outflow cfs	Peak Storage acre-ft	Peak Elevation ft
5-yr	17.8	6.3	0.5	564.2
10-yr	21.6	6.9	0.6	564.7
25-yr	25.5	7.4	0.8	565.1
100-yr	32.7	8.3	1.1	565.8



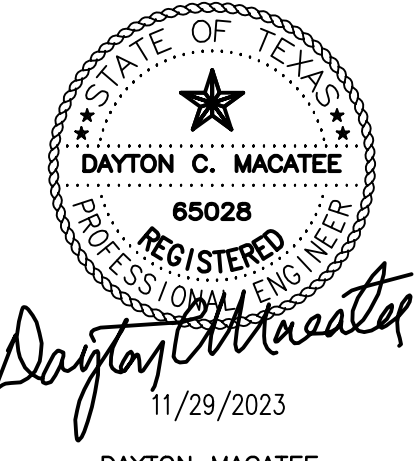
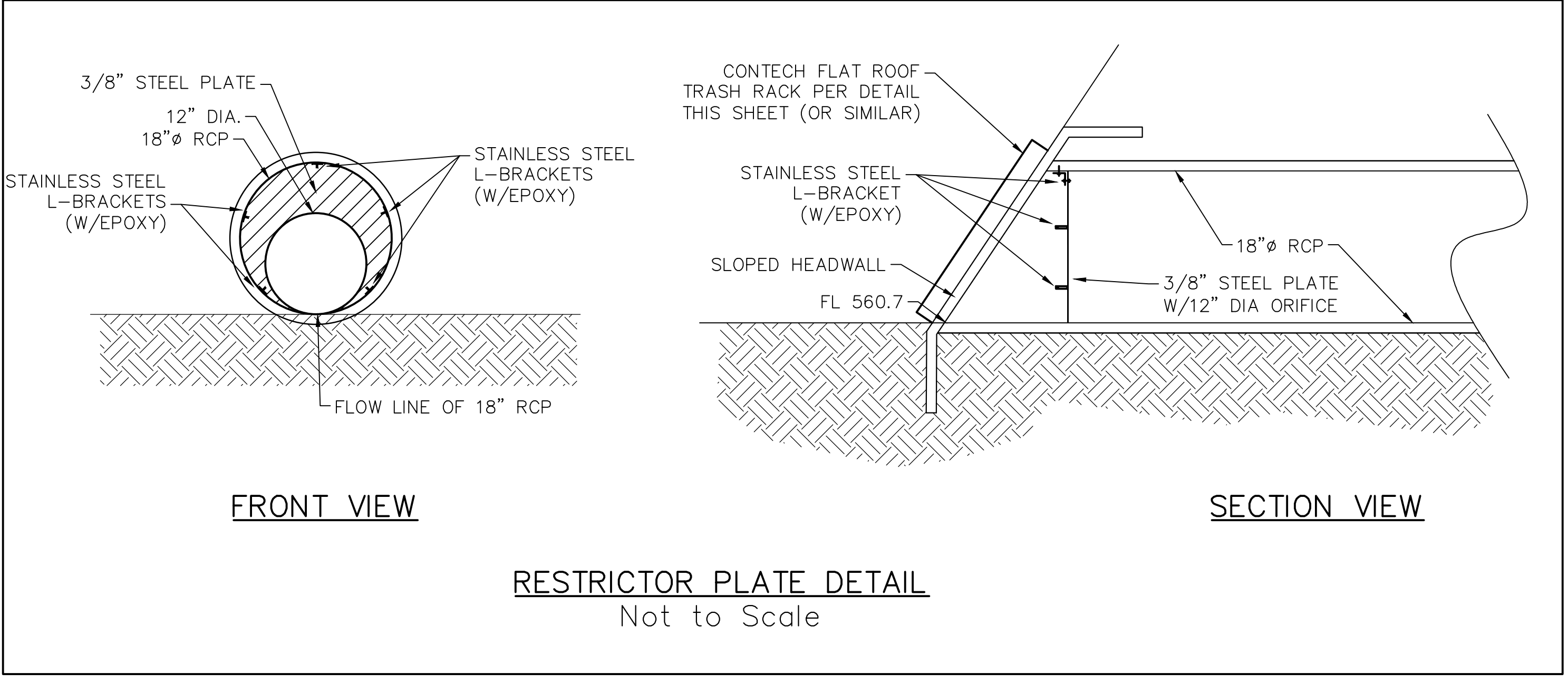
FLAT ROOF RECTANGULAR RACKS/WEIRS
(STANDARD SIZES)
DIMENSIONS IN INCHES TO THE NEAREST 1/4"

HOST STRUCTURE INSIDE DIMENSIONS		LENGTH		WIDTH	
CODE	HEIGHT (C)	CODE	WIDTH (A)	CODE	LENGTH (B)
01	12 7/8	01	11 3/8	01	11 3/8
02	12 7/8	02	16 3/4	02	16 3/4
03	12 7/8	03	22 1/8	03	22 1/8
04	12 7/8	04	27 1/2	04	27 1/2
05	12 7/8	05	32 7/8	05	32 7/8
06	12 7/8	06	38 1/4	06	38 1/4
07	12 7/8	07	43 5/8	07	43 5/8
08	12 7/8	08	49	08	49
09	12 7/8	09	54 3/8	09	54 3/8
10	12 7/8	10	59 3/4	10	59 3/4
11	12 7/8	11	65 1/8	11	65 1/8
12	12 7/8	12	70 1/2	12	70 1/2
13	12 7/8	13	75 7/8	13	75 7/8
14	12 7/8	14	81 7/8	14	81 7/8
15	12 7/8	15	87 1/4	15	87 1/4
16	12 7/8	16	92 7/8	16	92 7/8

AS DISTRIBUTED BY CONTECH CONSTRUCTION PRODUCTS NATIONALLY

CONTECH CONSTRUCTION PRODUCTS INC. 9022 COLLE FORT DRIVE, SUITE 400 WEST CENTER, DALLAS, TEXAS 75243 PH: 1-800-388-7727 FAX: 972-245-1599 © COPYRIGHT

CUSTOMER: DATE: DRAWN BY: PROJECT: APP'D BY: DETAIL:



DETENTION POND #2 PLAN
WINDING CREEK
CITY OF ROCKWALL, ROCKWALL COUNTY, TEXAS

CIVIL ENGINEERING DESIGN & CONSULTING
(Tex. Reg. No. F-456)
12655 N. CENTRAL EXPWY, SUITE 420
DALLAS, TEXAS 75243
TEL 214-373-1180 * FAX 214-373-6580
daytonm@macatee-engineering.com
phillipj@macatee-engineering.com

DESIGNED	CHECKED	DATE	DWG FILE	PROJECT #	SHEET NO.
BCP	SDA	11/29/2023	WC-DETENTION	SKO_WC	42 OF 53

RECORD DRAWINGS
The information contained hereon was provided by the contractor based on their field installation. The undersigned registered professional engineer did not provide inspection on this project, and therefore makes no warrants concerning the accuracy or completeness of the information provided.

DAYTON C. MACATEE
NOVEMBER 29, 2023

CITY OF ROCKWALL MONUMENT "COR-2"
ALUMINUM DISK STAMPED "CITY OF ROCKWALL SURVEY MONUMENT" +/--866'
EAST OF INTERSECTION OF WILLIAMS STREET AND CARUTH LANE, AND 50' SOUTH OF CL OF WILLIAMS STREET. N: 7029731.124, E: 2598589.314, ELEV=529.10

CITY OF ROCKWALL MONUMENT "COR-4"
ALUMINUM DISK STAMPED "CITY OF ROCKWALL SURVEY MONUMENT" ON NORTH SIDE OF DALTON ROAD +/--210' WEST OF INTERSECTION OF SH 205 AND DALTON ROAD, AND 10' NORTH OF CURB LINE. N: 7040336.992, E: 2592422.633, ELEV=541.67

Dayton C. Macatee, P.E. - Macatee Engineering, L.L.C. (Tx. Reg. No. F-456)
12655 N. Central Expwy Suite 420, Dallas, Texas 75243 ~ Tel: 214-373-1180