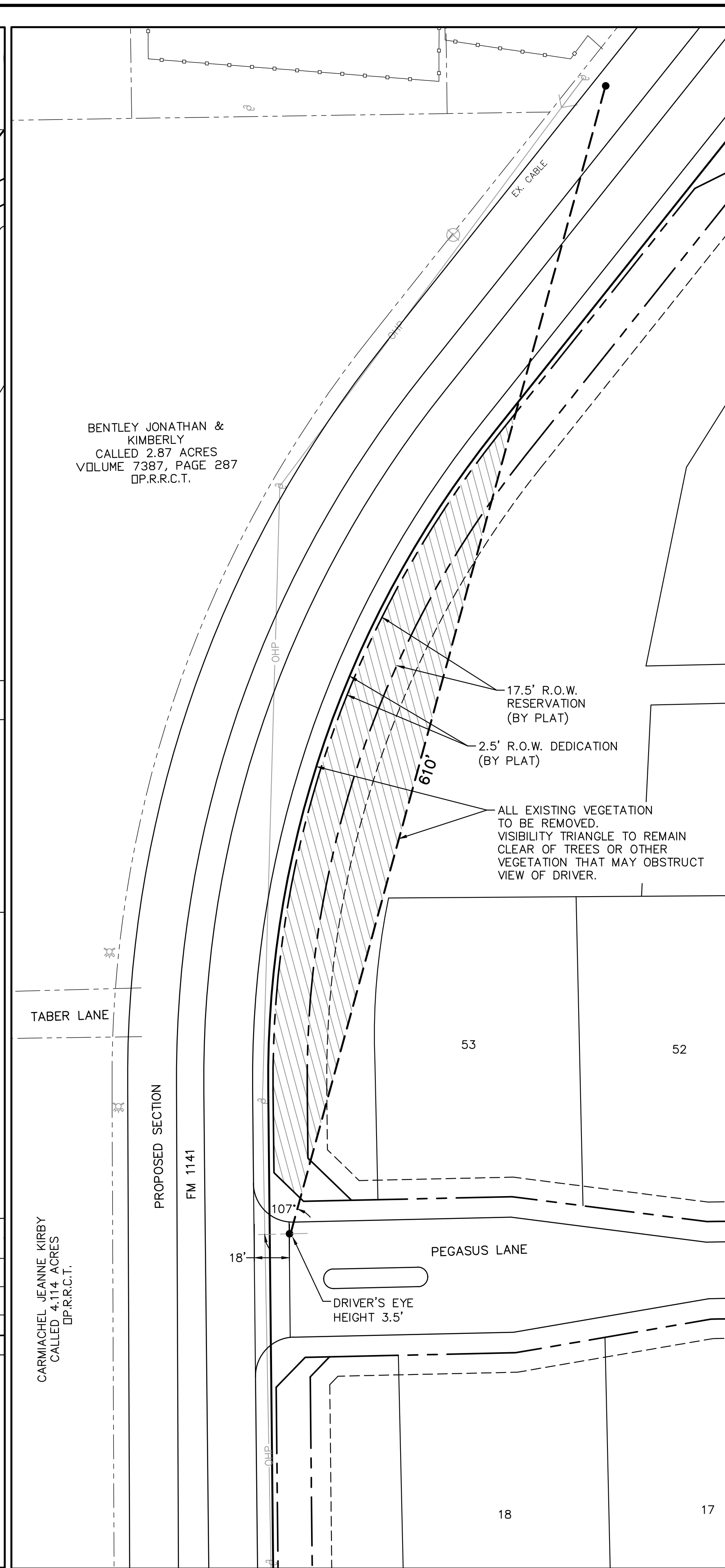
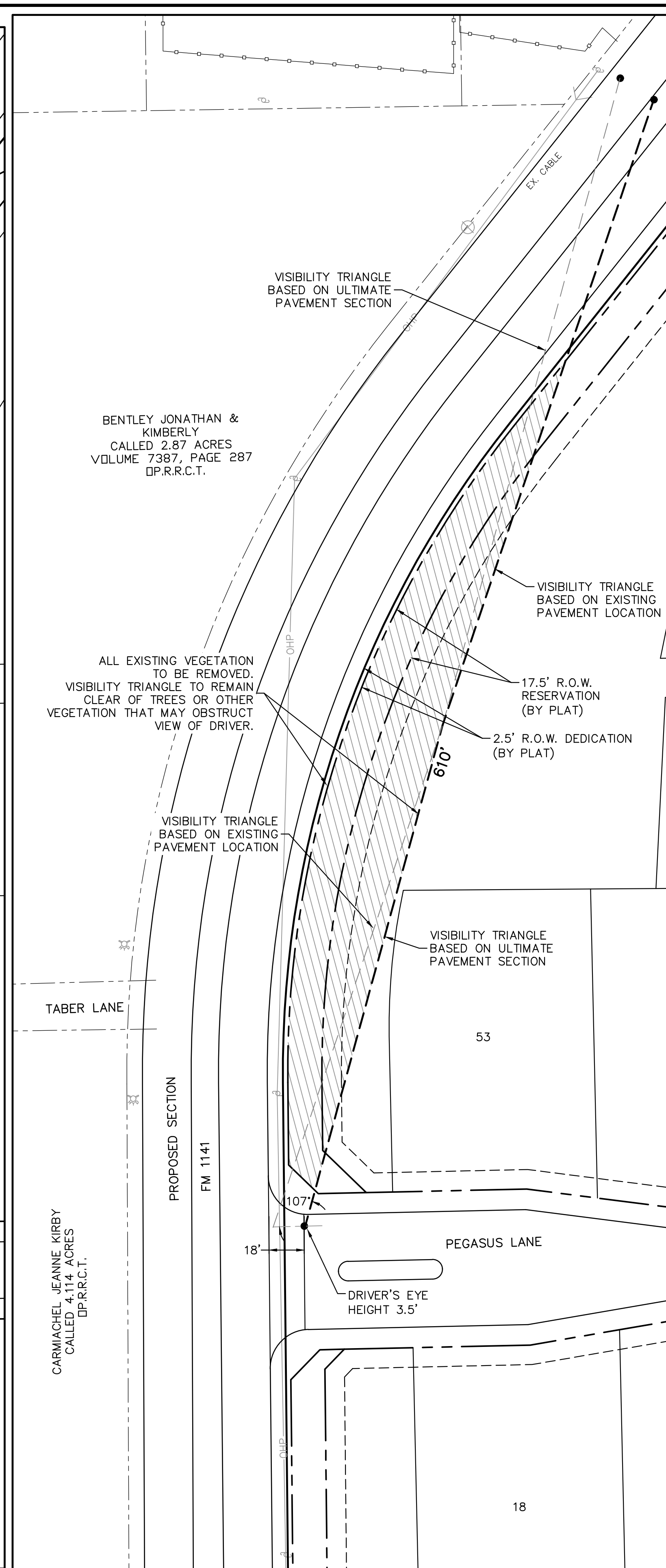


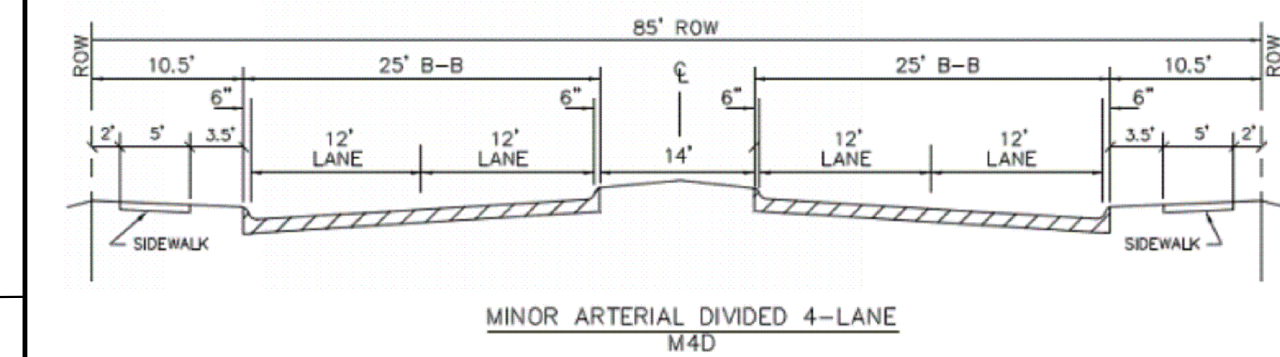
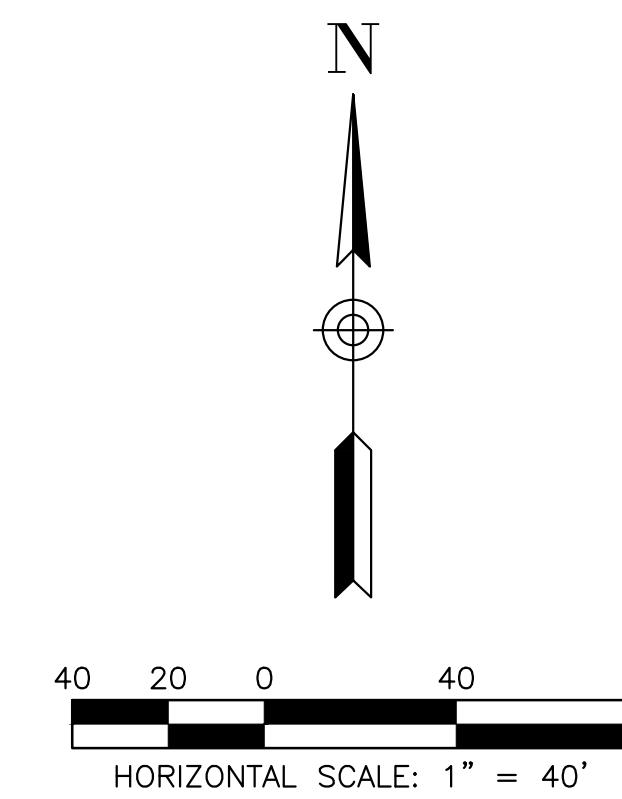
SIGHT TRIANGLE BASED ON EXISTING PAVEMENT LOCATION



SIGHT TRIANGLE BASED ON ULTIMATE PAVEMENT SECTION



FINAL VISIBILITY TRIANGLE



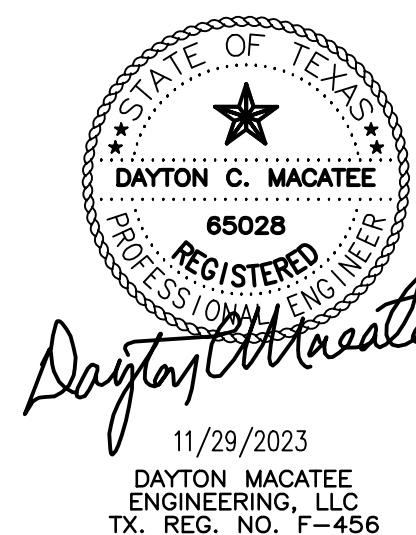
ULTIMATE PAVEMENT SECTION

RECORD DRAWINGS
The information contained hereon was provided by the contractor based on their field installation. The undersigned registered professional engineer did not provide inspection on this project, and therefore makes no warrants concerning the accuracy or completeness of the information provided.

Dayton C. Macatee

NOVEMBER 29, 2023

Dayton C. Macatee, P.E. - Macatee Engineering, L.L.C. (Tx. Reg. No. F-456)
12655 N. Central Expwy Suite 420, Dallas, Texas 75243 - Tel: 214-373-1180



SIGHT TRIANGLE EXHIBIT				
WINDING CREEK				
CITY OF ROCKWALL, ROCKWALL COUNTY, TEXAS				
		CIVIL ENGINEERING DESIGN & CONSULTING (Tex. Reg. No. F-456) 12655 N. CENTRAL EXPWY, SUITE 420 DALLAS, TEXAS 75243 TEL 214-373-1180 * FAX 214-373-6580 daytonm@macatee-engineering.com phillipj@macatee-engineering.com		
DESIGNED	CHECKED	DATE	DWG FILE	PROJECT #
		11/29/2023	04-29-22	SKO_WC
			SHEET NO.	16A OF 53