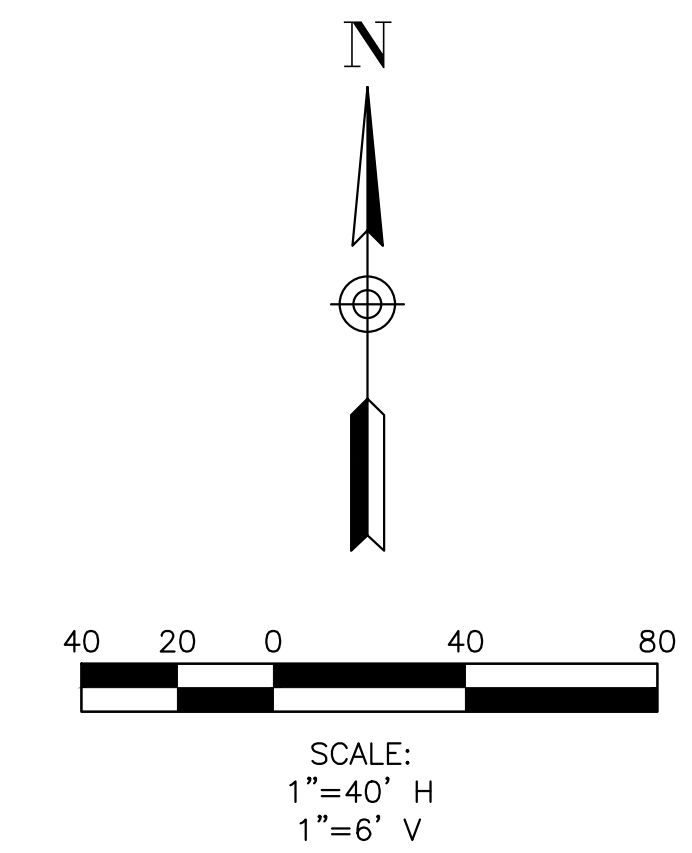
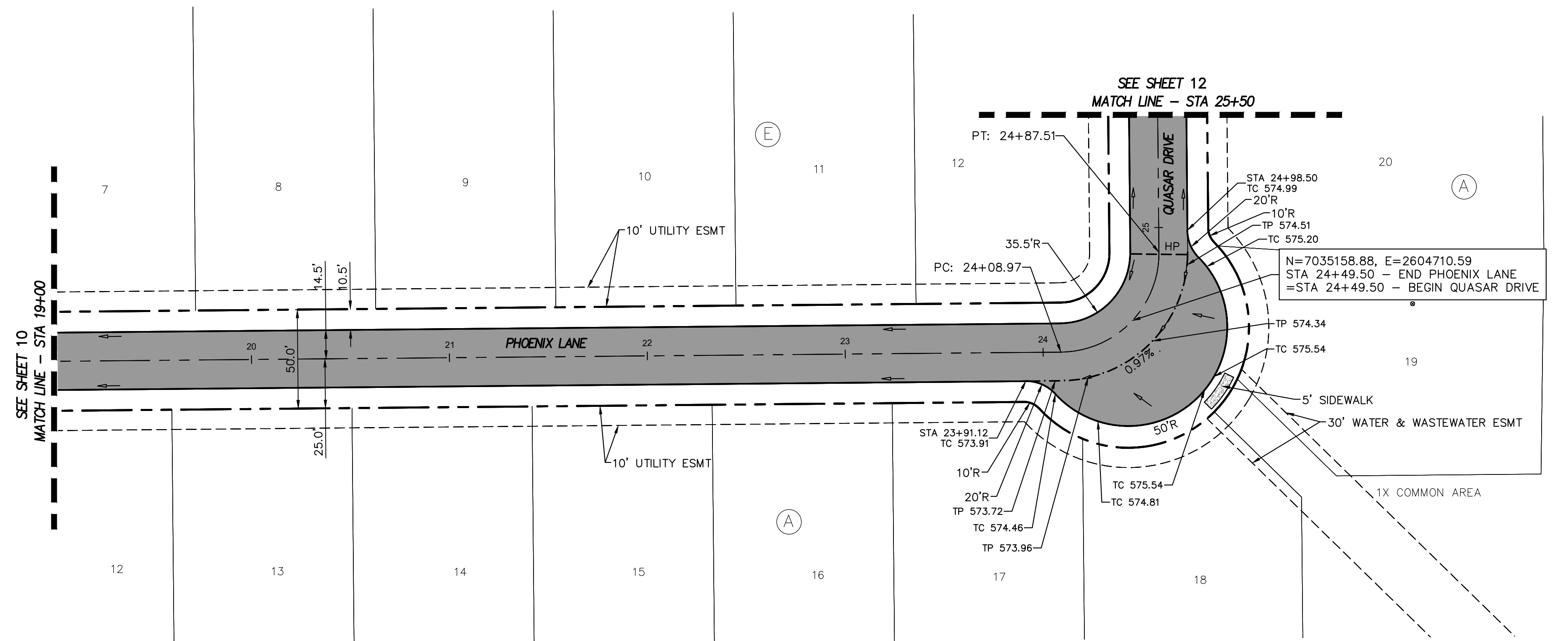
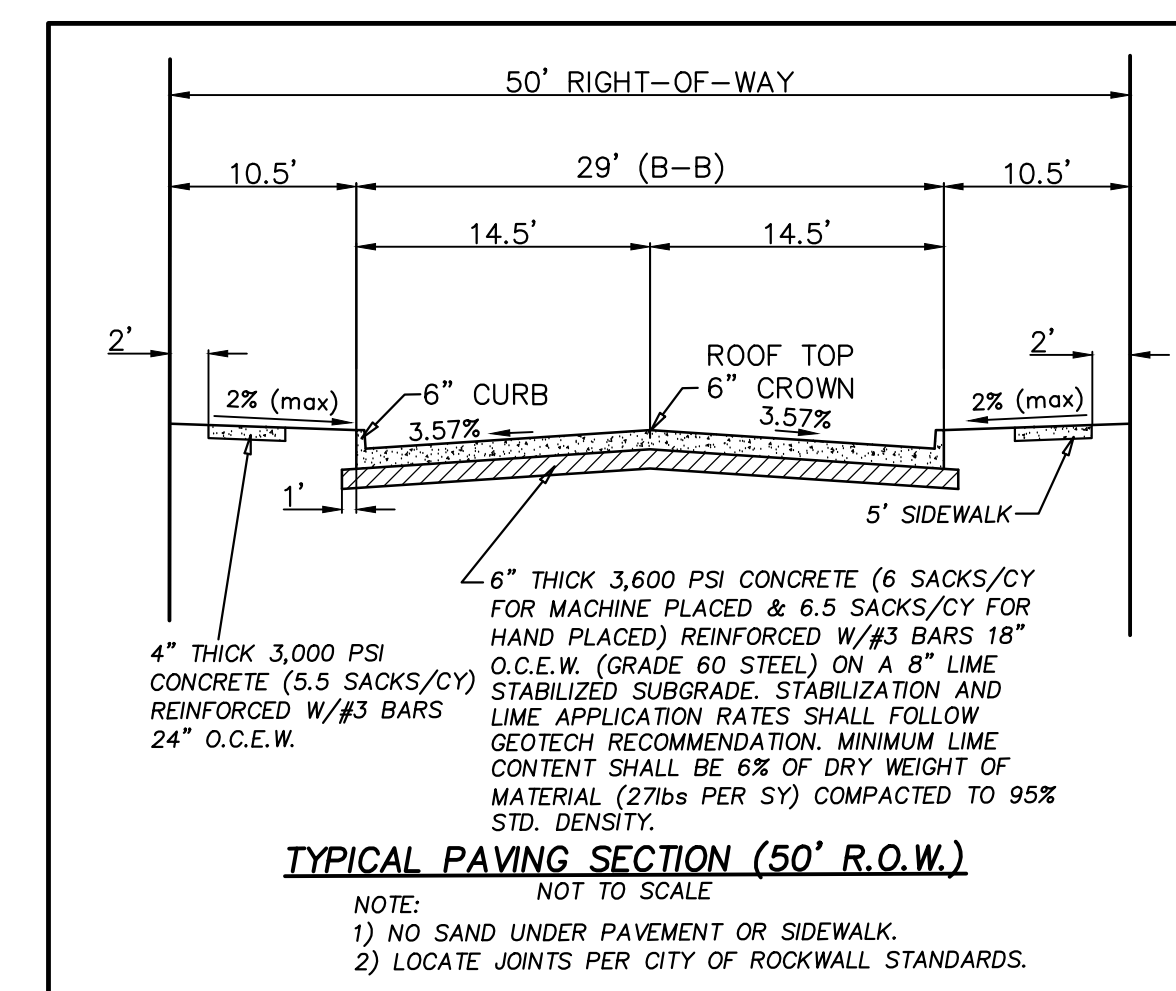
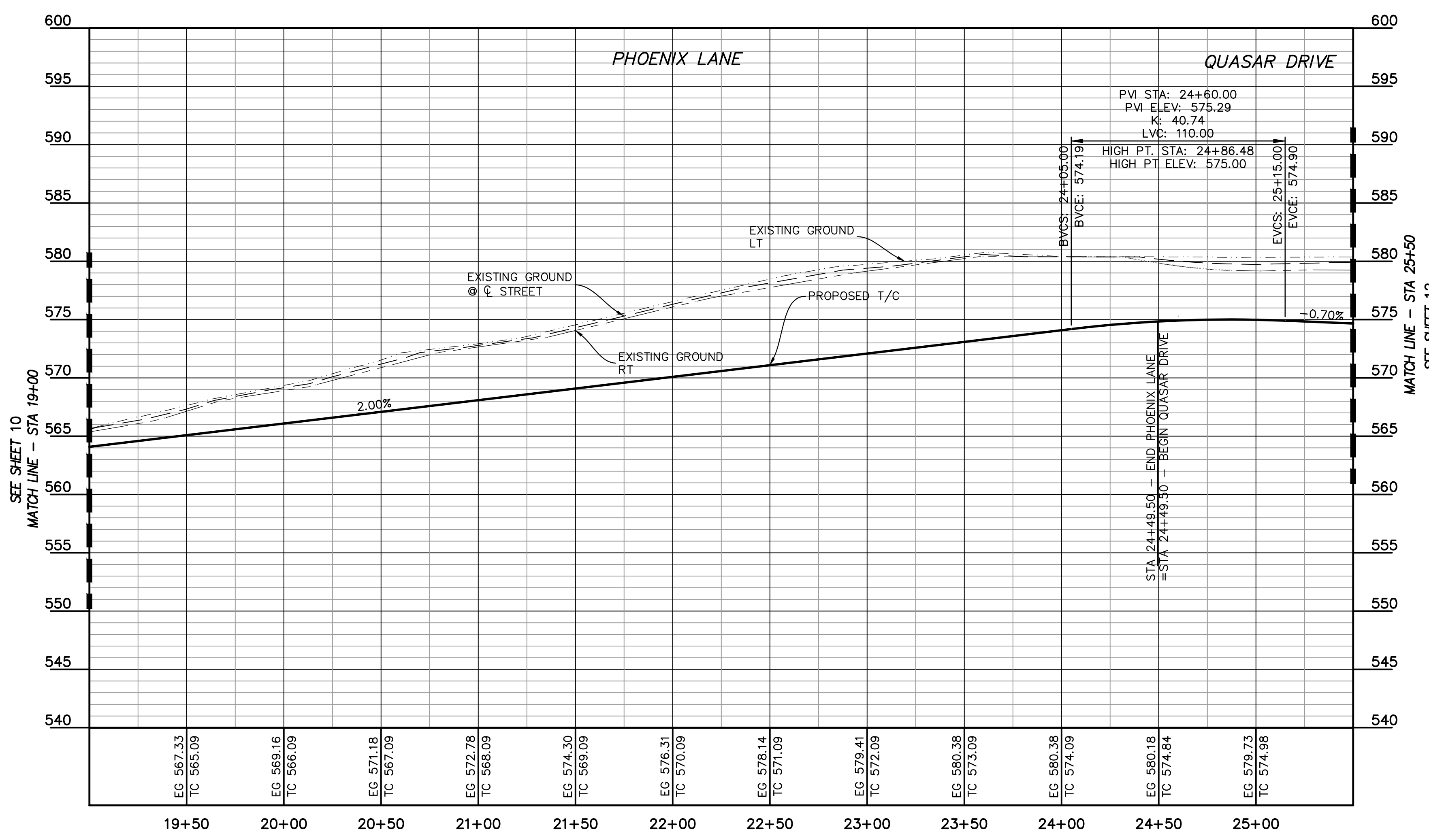


TYPICAL KNUCKLE DETAIL  
DIMENSION ARE TO BACK OF CURB

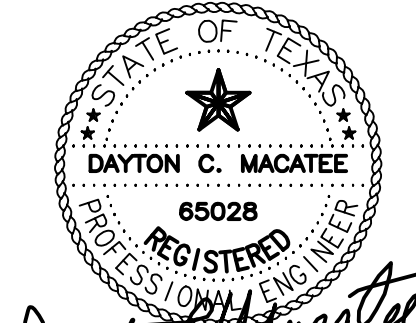


- GENERAL NOTES:
- 1) ALL CONSTRUCTION SHALL BE IN ACCORDANCE WITH THE CITY OF ROCKWALL STANDARDS.
  - 2) THE CONTRACTOR SHALL VERIFY THE HORIZONTAL AND VERTICAL LOCATIONS OF ALL EXISTING UTILITIES IN THE AREA OF CONSTRUCTION PRIOR TO BEGINNING CONSTRUCTION.
  - 3) THE CONTRACTOR SHALL NOTIFY ENGINEER OF RECORD OF ANY DISCREPANCIES BETWEEN THESE PLANS AND ACTUAL FIELD CONDITIONS.
  - 4) DIMENSIONS ARE TO BACK OF CURB, UNLESS OTHERWISE NOTED.



LEGEND		
C.O.R.	CITY OF ROCKWALL VISIBILITY & SIDEWALK EASEMENT	VALLEY GUTTER
V.S.E.	VALLEY GUTTER	DIRECTION OF FLOW
TC	TOP OF CURB	CENTERLINE
LP	LOW POINT	ADA CROSSING (SEE ADA COMPLIANCE NOTE)
HP	HIGH POINT	PROPOSED SIDEWALK (BY DEVELOPER, SEE SIDEWALK PLAN)
BFR	BARRIER FREE RAMP	BFR PER CITY OF ROCKWALL STD DETAIL R-2125A
24.5'R	RADIUS	
PC	POINT OF CURVATURE	
PT	POINT OF TANGENCY	
PI	POINT OF INTERSECTION	
PVI	POINT OF VERTICAL INTERSECTION	
CONST.	CONSTRUCT	
Q	CENTERLINE	
RT	RIGHT	
LT	LEFT	
GND	GROUND	
	PERPENDICULAR CURB RAMP PER TxDOT DETAIL PED-18	

PROFILE LEGEND	
---	EX. GND AT LT R.O.W.
---	EX. GND AT Q R.O.W.
---	EX. GND AT RT R.O.W.
---	PROP LT & RT TC
▨	COMPACTED FILL PER GEOTECH RECOMMENDATIONS. (MIN 95% STD. DENSITY)



DAYTON C. MACATEE  
11/29/2023  
PHOENIX LANE  
QUASAR DRIVE  
DAYTON MACATEE ENGINEERING, LLC  
TX. REG. NO. F-456

RECORD DRAWINGS  
The information contained hereon was provided by the contractor based on their field installation. The undersigned registered professional engineer did not provide inspection on this project, and therefore makes no warrants concerning the accuracy or completeness of the information provided.  
DAYTON C. MACATEE  
NOVEMBER 29, 2023  
Dayton C. Macatee, P.E. - Macatee Engineering, L.L.C. (Tx. Reg. No. F-456) Date  
12655 N. Central Expwy Suite 420, Dallas, Texas 75243 - Tel: 214-373-1180

CITY OF ROCKWALL MONUMENT "COR-2"  
ALUMINUM DISK STAMPED "CITY OF ROCKWALL SURVEY MONUMENT" +/- .866'  
EAST OF INTERSECTION OF WILLIAMS STREET AND CARUTH LANE, AND 50' SOUTH OF CL OF WILLIAMS STREET. N: 7029731.124, E: 2598589.314, ELEV=529.10  
CITY OF ROCKWALL MONUMENT "COR-4"  
ALUMINUM DISK STAMPED "CITY OF ROCKWALL SURVEY MONUMENT" ON NORTH SIDE OF DALTON ROAD +/- .210' WEST OF INTERSECTION OF SH 205 AND DALTON ROAD, AND 10' NORTH OF CURB LINE. N: 7040336.992, E: 2592422.633, ELEV=541.67

PAVING PLAN & PROFILE  
WINDING CREEK  
CITY OF ROCKWALL, ROCKWALL COUNTY, TEXAS

CIVIL ENGINEERING DESIGN & CONSULTING  
(Tex. Reg. No. F-456)  
12655 N. CENTRAL EXPWY, SUITE 420  
DALLAS, TEXAS 75243  
TEL 214-373-1180 \* FAX 214-373-6580  
daytonm@macatee-engineering.com  
phillipf@macatee-engineering.com

DESIGNED	CHECKED	DATE	DWG FILE	PROJECT #	SHEET NO.
BCP	SDA	11/29/2023	WC_Paving	SKO_WC	11 OF 53