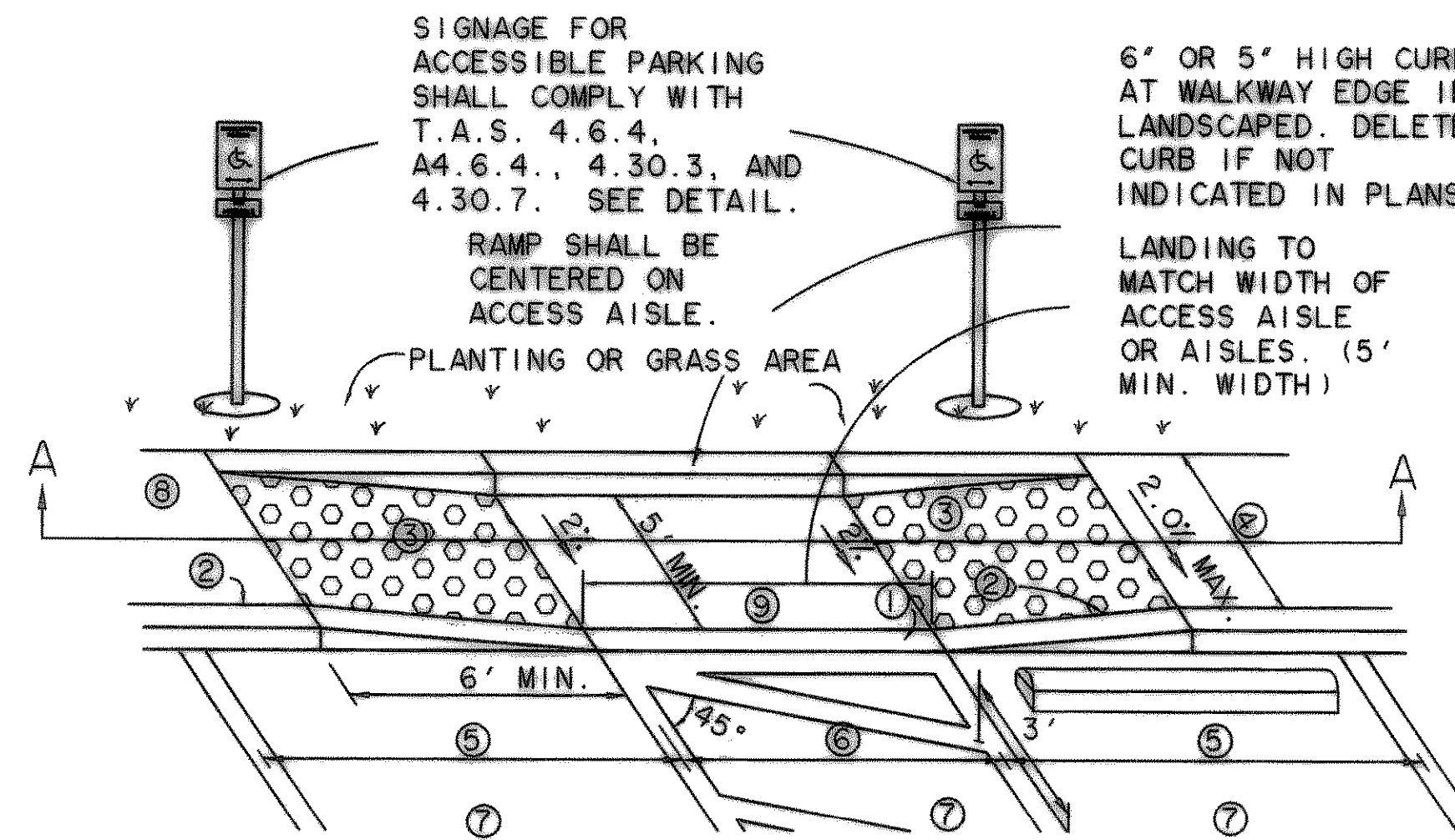
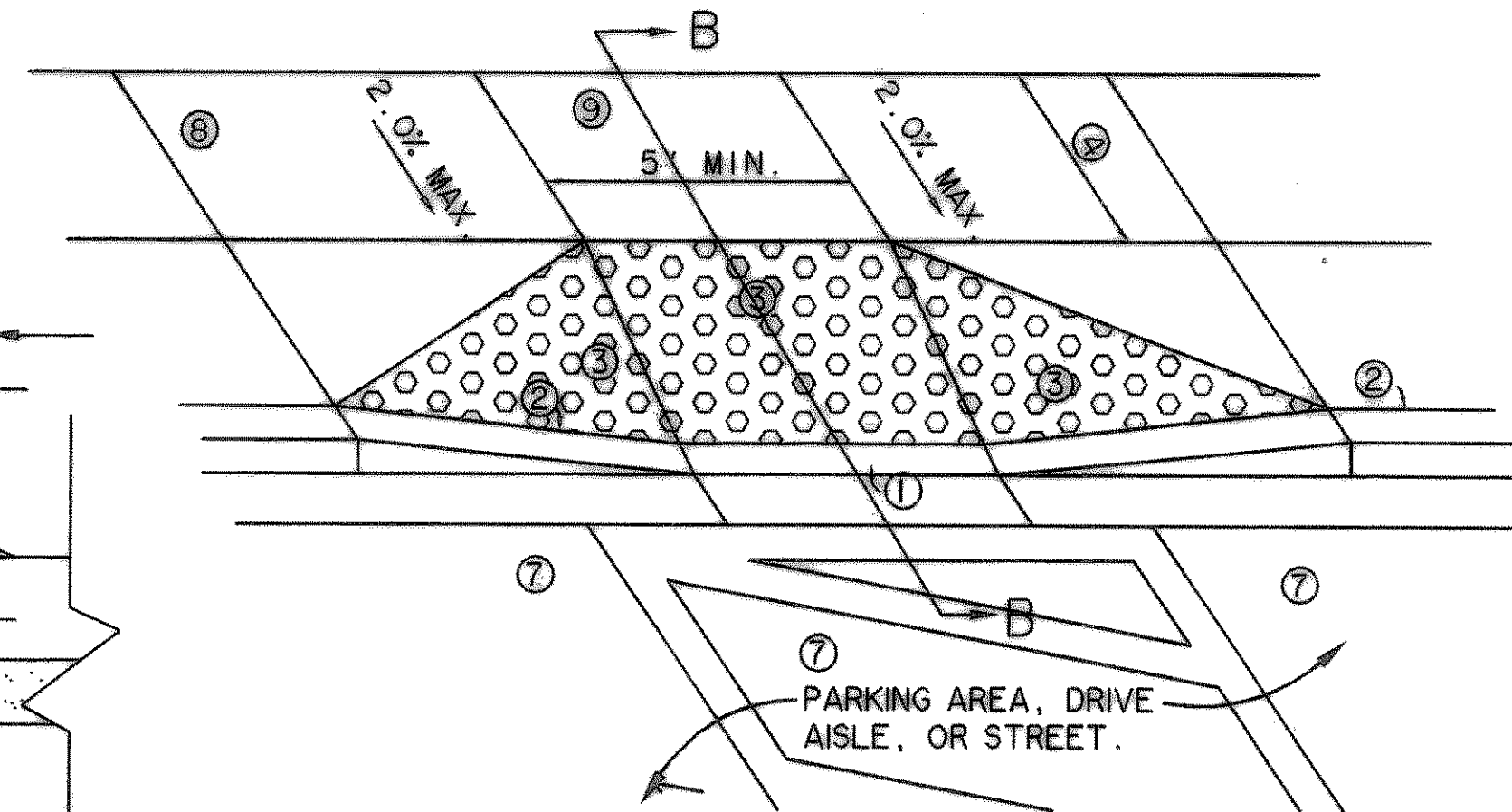


SECTION "A-A"
N.T.S.



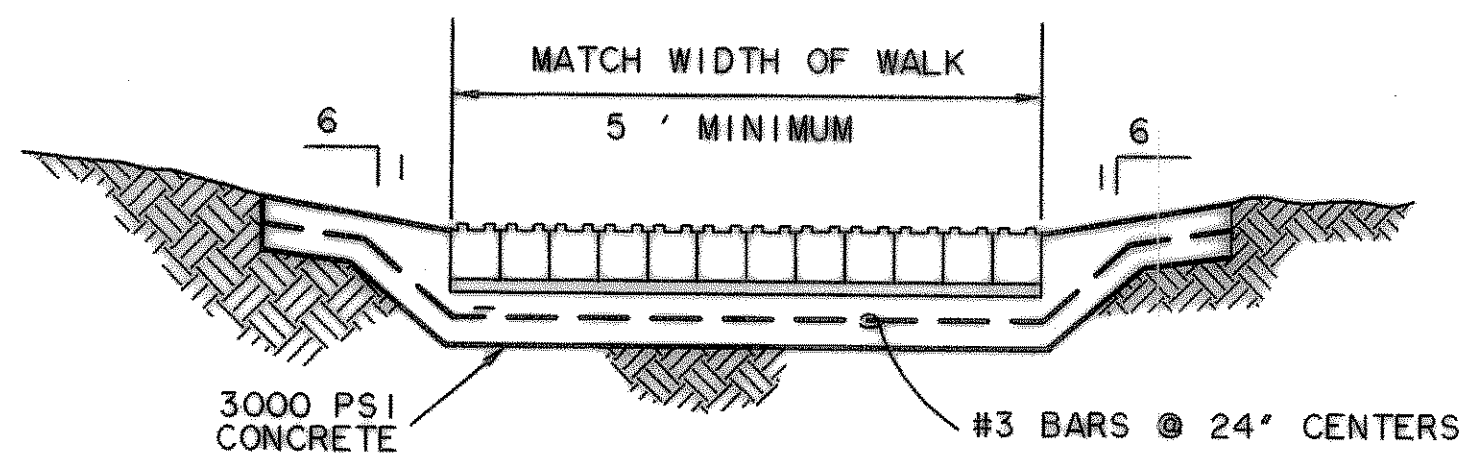
TYPE-3 CURB RAMP



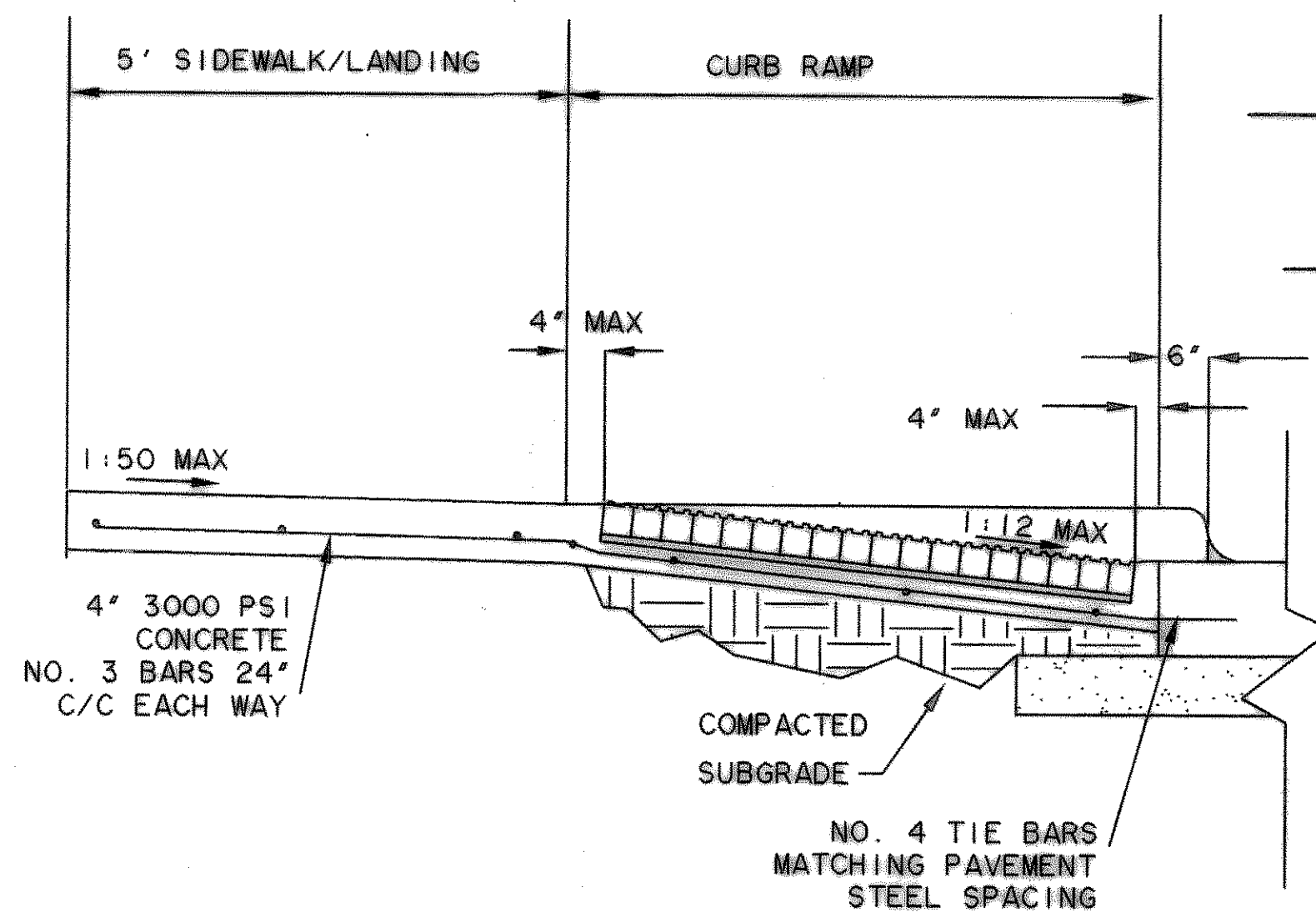
TYPE-2 CURB RAMP

NOTES:

- TOP OF CURB TO BE FLUSH WITH PAVEMENT.
- TOP OF CURB TO BE FLUSH WITH TOP OF WALK.
- DETECTABLE WARNINGS SHALL CONSIST OF RAISED TRUNCATED DOMES WITH A DIAMETER OF NOMINAL 0.9 IN (23MM), A HEIGHT OF NOMINAL 0.2 IN (5MM) AND A CENTER-TO-CENTER SPACING OF NOMINAL 2.35 IN (60MM) AND SHALL CONTRAST VISUALLY WITH ADJOINING SURFACES, EITHER LIGHT-ON-DARK, OR DARK-ON-LIGHT.
- THE MATERIAL USED TO PROVIDE CONTRAST SHALL BE AN INTEGRAL PART OF THE WALKING SURFACE. DETECTABLE WARNINGS USED ON INTERIOR SURFACES IN SEILEINCE OR SOUND-ON-CANE CONTACT. BOTH MUST MEET T.A.S. AND A.D.A. SPECIFICATIONS 4.29.2, 4.5, 4.7, 8 4.7.4. CURB RAMP SLOPES SHALL NOT EXCEED 1:12 AND SHALL COMPLY WITH T.A.S. 4.7, 4.7.2 8 4.8.2.
- 36" MIN. IF PARKING STALL LENGTH IS 20' AND CURB STOPS ARE PROVIDED 2' OFF CURB OR 60" MIN. IF PARKING STALL LENGTH IS 18' WITH NO CURB STOPS. IF DIMENSION IS LESS THAN 48', THEN THE SLOPE OF THE FLARED SIDE SHALL NOT EXCEED 1:12.
- ACCESSIBLE PARKING SPACE SHALL BE 8' MIN. AND SHALL COMPLY WITH T.A.S. 4.6.3. OPTIONAL UNIVERSAL PARKING SPACE SHALL BE 11' WIDE AND COMPLY WITH T.A.S. FIGURE 55b.
- ACCESS AISLE SHALL BE 5' WIDE FOR TYPICAL OR UNIVERSAL ACCESSIBLE PARKING. ACCESS AISLE SHALL BE 8' WIDE FOR VAN ACCESSIBLE PARKING.
- ACCESSIBLE PARKING SPACES AND ACCESS AISLE SHALL BE LEVEL WITH SURFACE SLOPES NOT EXCEEDING 1:50 (2%) IN ALL DIRECTIONS AND SHALL COMPLY WITH T.A.S. 4.6.3..
- AN ACCESSIBLE ROUTE WITH A RUNNING SLOPE GREATER THAN 1:20 (5%) IS CONSIDERED A RAMP AND SHALL COMPLY WITH T.A.S. 4.8. THE CROSS SLOPE OF AN ACCESSIBLE ROUTE SHALL NEVER EXCEED 1:50 (2%).
- LANDING DIMENSIONS AT TOP OF RAMP OR A
- GRADES IN ACESIBILITY ROUTING INCLUDE CROSSING DRIVEWAYS, SHALL CONFORM TO ADA STANDARDS, NOT TO EXCEED 5.0% ALONG TRAVEL PATH WITH NOT MORE THAN 2.0% CROSSFALL.



HANDICAP RAMP DETAILS
N.T.S.



SECTION "B-B"
N.T.S.

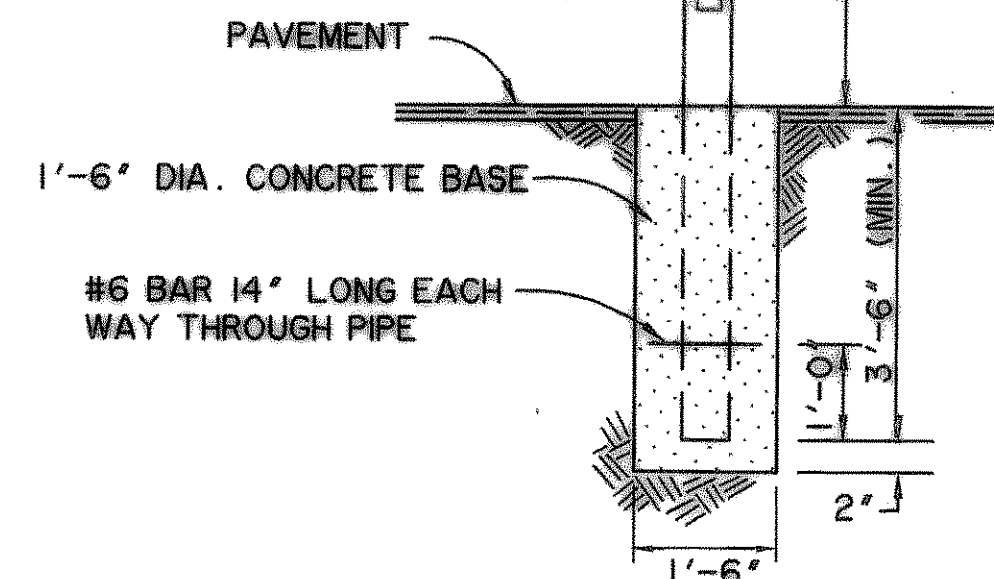
CURB RAMP DETAILS *
N.T.S.

* THESE DETAILS ARE FOR ONSITE CURB RAMPS. ALL OTHER CURB RAMPS WITHIN PUBLIC RIGHT-OF-WAY SHALL BE CONSTRUCTED IN COMPLIANCE WITH LOCAL CITY CODES AND DETAILS.

1'-0" x 1'-6" x 0.08" ALUMINUM HANDICAPPED PARKING SIGN. SIGN TO READ "RESERVED PARKING" WITH IDENTIFICATION SYMBOL AND "VAN ACCESSIBLE" WHERE APPLICABLE. BOLT TO STEEL TUBE WITH 1/2" CADMIUM PLATED BOLTS, NUTS, AND WASHERS.

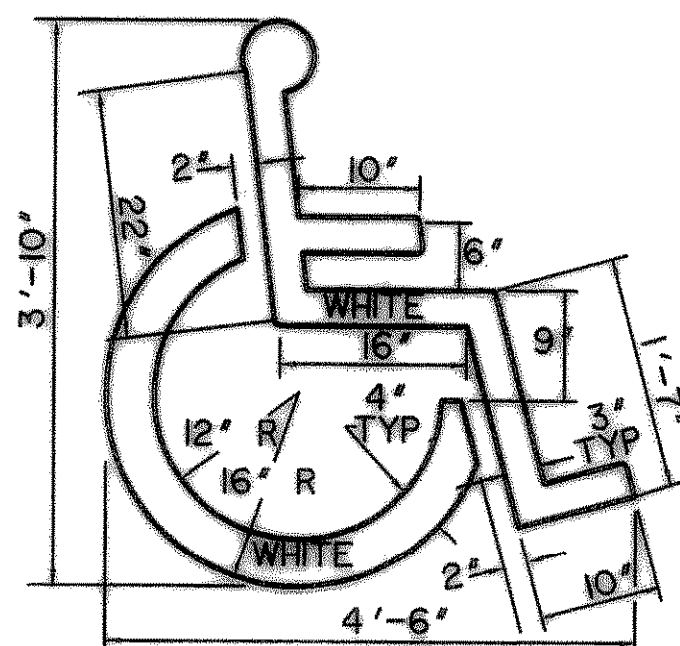
2" x 2" x .188" STEEL TUBE EXTEND INTO CONCRETE FILLED PIPE 2'-0". PROVIDE WELDED WATERTIGHT CAP.

8" DIA. STD. STEEL PIPE FILLED WITH CLASS "A" CONCRETE. PROVIDE DOMED CEMENT WASH CAP. PAINT PIPE (2) COATS TRAFFIC YELLOW



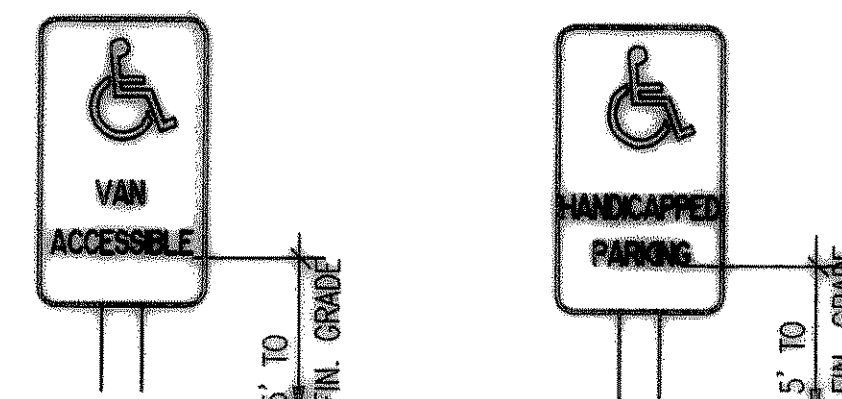
HANDICAPPED PARKING SIGN
N.T.S.

NOTE: WHERE SIGN IS LOCATED IN PLANTER AREA, USE 2" x 2" TUBE STEEL FULL LENGTH AND SET IN CONCRETE 3'-0" MIN. BELOW GRADE.



HANDICAPPED PARKING SPACE SYMBOL

SEE SPACES DESIGNATED H.C.
N.T.S.



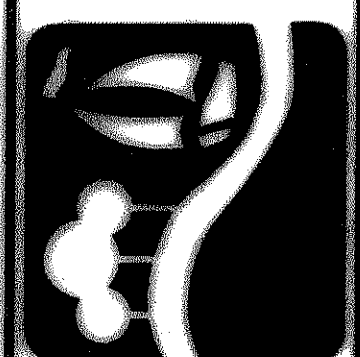
PROVIDE & INSTALL VAN ACCESSIBLE (#SS57) & HANDICAPPED PARKING (#SS53) SIGNS EQUAL TO BEST SIGN SYSTEMS, MONTROSE, COLORADO. GALVANIZED "U" CHANNEL MOUNTING POST SHALL BE SET IN A CONCRETE FOOTING. MOUNT SIGNS 5'-0" FROM THE BOTTOM OF LOWEST LINE OF LETTERING TO FINISH GRADE. SIGNS SHALL BE SCREEN PRINTED IN BLUE & WHITE ON .063" - ALUMINUM.

TYP. ACESIBLE PARKING SIGNS
N.T.S.

RECORD DRAWING
03/13/07

* THESE DETAILS ARE FOR ONSITE CURB RAMPS. ALL OTHER CURB RAMPS WITHIN PUBLIC RIGHT-OF-WAY SHALL BE CONSTRUCTED IN COMPLIANCE WITH LOCAL CITY CODES AND DETAILS.

PREPARED BY:
WIA WIER & ASSOCIATES, INC.
ENGINEERS SURVEYORS LAND PLANNERS
4000 BELLEVUE PLACE SUITE 130 ARLINGTON, TEXAS 76018 METRO (817)467-7700
1300 U.S. HIGHWAY 287 N. SUITE 101 WARGRETT, TEXAS 76063 METRO (817)477-6700
8849 ELM STREET FRODO, TEXAS 76004 METRO (214)387-8000
www.wierassociates.com



CITY OF
ROCKWALL
WHITMORE'S
EXPANSION

ON-SITE
HANDICAP
DETAILS



COPYRIGHT ©
WIER & ASSOCIATES, INC.
LAST SHEET EDIT
DATE 03/13/2007
WA# 04124.02

SHEET NO.
PO03